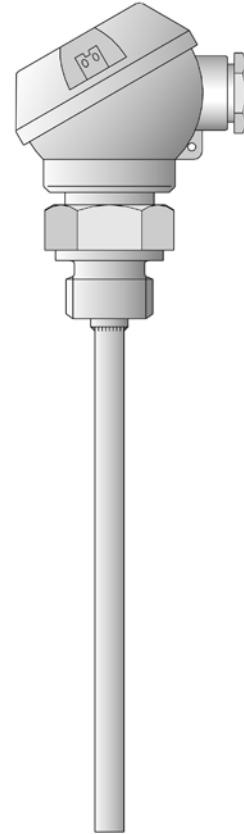


## Screw-in RTD temperature probe with terminal head form J

- For temperatures from -50 to +400°C
- As single or double RTD temperature probes
- Available with transmitter
- Protection class IP65

Screw-in RTD temperature probes are preferentially used for measuring temperatures in liquids and gases. A decisive selection criterion is the reliable sealing feature of this installation type with vacuum and with overpressure. The application areas are, among others, in the air conditioning technology and refrigeration engineering as well as the HVAC, kiln and apparatus engineering sector.

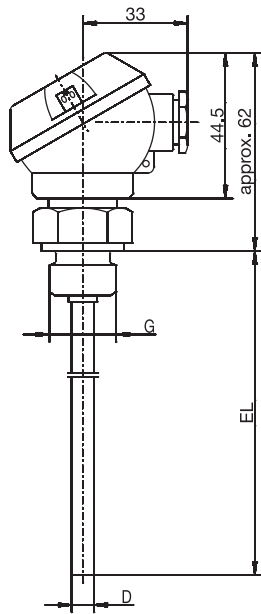
The measuring insert is normally fitted with a Pt100 temperature sensor according to DIN EN 60751, Class B in 2-wire circuit; versions with Pt500 or Pt1000 temperature sensors can also be supplied, as well as 3- and 4-wire circuit connections. A transmitter can be optionally integrated into the connection head.



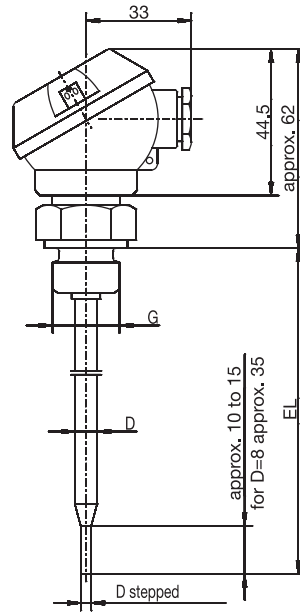
### Technical Data

<b>Terminal head</b>	Form J, die-cast aluminum, M 16x1.5; IP65, ambient temperature -40 to +100 °C Caution: reduced ambient temperature range when using transmitters, Data Sheet 70.7030
<b>Process connection</b>	thread, stainless steel 1.4571
<b>Protection tube</b>	Stainless steel 1.4571, Ø 6 mm and Ø 8 mm
<b>Measuring insert</b>	Pt100 temperature sensor according to DIN EN 60751, Class B, two-wire circuit
<b>Response times</b>	$t_{0,5} = 5$ sec, $t_{0,9} = 14$ sec, in water 0.4 m/sec, 6 mm dia.
<b>Transmitter</b>	Analog transmitter, output 4 to 20 mA, Data sheet 70.7030
<b>Accessories</b>	Sheath, Data Sheet 90.9710 (90.9721)

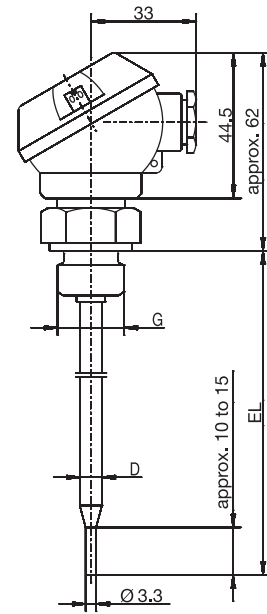
## Dimensions



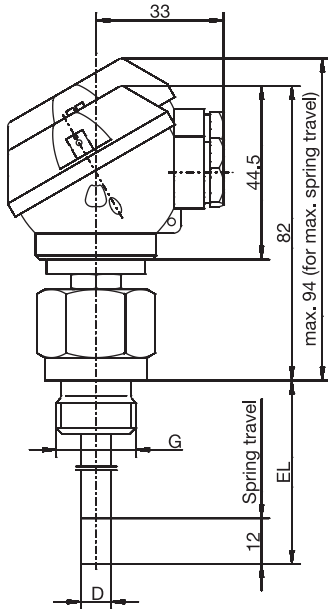
Type 902030/10



Type 902030/11



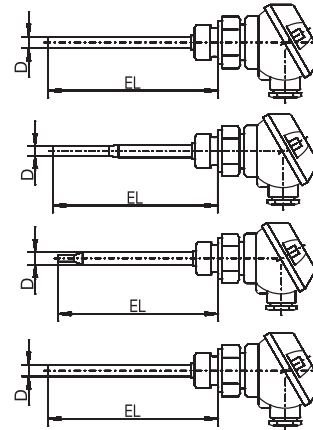
Type 902030/31



Type 902030/80

## Order details: Screw-in RTD temperature probe with terminal head form J

(1) Basic type	
	902030/10 Screw-in RTD temperature probes with continuous sheath
	902030/11 Screw-in RTD temperature probes with stepped sheath (with Ø 6 to Ø 3.8 mm; with Ø 8 to Ø 6 mm)
	902030/31 Screw-in RTD temperature probes with stepped sheath for air measurement
	902030/80 Screw-in RTD temperature probes with spring-loaded connection, 12 mm spring deflection, connection head rotatable by 360°
x x	<b>(2) Operating temperature in °C</b>
	647 -20 to +150 °C (only in conjunction with class B and 1x Pt100/1x Pt1000 in 2-wire circuit)
x x x	378 -50 to +180 °C
x x	380 -50 to +200 °C
x x	386 -50 to +260 °C
x x	402 -50 to +400 °C
x x x x	<b>(3) Measuring insert</b>
	1001 1x Pt100 in 3-wire-circuit
	1003 1x Pt100 in 2-wire circuit
	1005 1x Pt1000 in 2-wire circuit
	1011 1x Pt100 in 4-wire circuit
	2003 2x Pt100 in 2-wire circuit
x x x x	<b>(4) Tolerance class according to EN 60751</b>
	1 Class B (standard)
	2 Class A
x x x	<b>(5) Protection tube diameter D in mm</b>
	6 Ø 6 mm (standard)
x x	8 Ø 8 mm
x x x x	<b>(6) Fitting length EL in mm (100 ≤ EL ≤ 1000)</b>
	50 50 mm
	100 100 mm
	150 150 mm
	250 250 mm
	300 300 mm
	... Specification in plain text (50 mm steps)
x x x	<b>(7) Process connection</b>
	102 Screw connection (thread) G 1/4
	103 Screw connection (thread) G 3/8
	104 Screw connection (thread) G 1/2
x x x x	<b>(8) Extra codes</b>
	000 without extra codes
	330 1x analog transmitter, 4 to 20 mA <sup>1</sup> output, Data sheet 70.7030



Order code	(1)	(2)	(3)	(4)	(5)	(6)	(7)	(8)							
Order example	902030/10	-	402	-	1001	-	1	-	6	-	100	-	104	/	000

<sup>1</sup> Specify measuring range in plain text.

**Stock versions**

(1)	(2)	(3)	(4)	(5)	(6)	(7)	(8)	Part No.
902030/10	- 380	- 2003	- 1	- 6	- 50	- 104 /	000	90/00533450
902030/10	- 380	- 2003	- 1	- 6	- 100	- 104 /	000	90/00533451
902030/10	- 380	- 2003	- 1	- 6	- 150	- 104 /	000	90/00533452
902030/10	- 402	- 1003	- 1	- 6	- 50	- 104 /	000	90/00055692
902030/10	- 402	- 1003	- 1	- 6	- 100	- 104 /	000	90/00055693
902030/10	- 402	- 1003	- 1	- 6	- 150	- 104 /	000	90/00055694
902030/10	- 402	- 1003	- 1	- 6	- 300	- 104 /	000	90/00065691
902030/10	- 402	- 1003	- 1	- 6	- 250	- 104 /	000	90/00533433
902030/10	- 402	- 2003	- 1	- 6	- 50	- 104 /	000	90/00383011
902030/10	- 402	- 2003	- 1	- 6	- 100	- 104 /	000	90/00526429
902030/10	- 402	- 2003	- 1	- 6	- 150	- 104 /	000	90/00533442
902030/10	- 402	- 1003	- 1	- 6	- 50	- 103 /	000	90/00478984
902030/10	- 402	- 1003	- 1	- 6	- 100	- 103 /	000	90/00424045
902030/10	- 380	- 1003	- 1	- 6	- 100	- 104 /	330(-40 to +60 °C)	90/00533453
902030/10	- 647	- 1003	- 1	- 6	- 100	- 104 /	330(0 to 100 °C)	90/00533454
902030/10	- 647	- 1003	- 1	- 6	- 150	- 104 /	330(0 to 100° C)	90/00533468
902030/10	- 402	- 1005	- 1	- 6	- 100	- 104 /	000	90/00359611
902030/10	- 402	- 1005	- 1	- 6	- 150	- 104 /	000	90/00411610
902030/10	- 647	- 1003	- 1	- 6	- 50	- 104 /	000	90/00533448
902030/10	- 647	- 1003	- 1	- 6	- 100	- 104 /	000	90/00533449
902030/10	- 647	- 1003	- 1	- 6	- 150	- 104 /	000	90/00508957
902030/31	- 380	- 1003	- 1	- 6	- 75	- 104 /	000	90/00438406
902030/31	- 380	- 1003	- 1	- 6	- 100	- 104 /	000	90/00438408
902030/31	- 380	- 1003	- 1	- 6	- 150	- 104 /	000	90/00438409