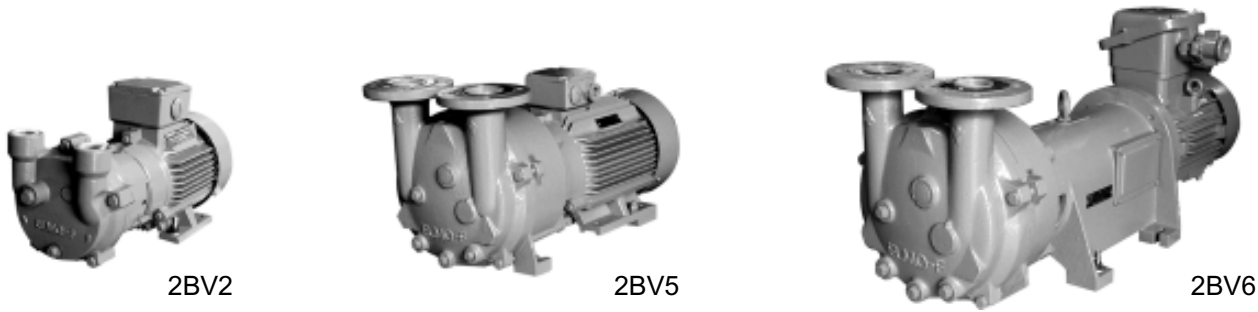


nash_elmo 液环真空泵 nash_elmo Liquid-Ring Vacuum Pumps

无油, 机泵同轴, 直联设计 Oil-Free, in Monoblock and Close-Coupled Design



概述 General

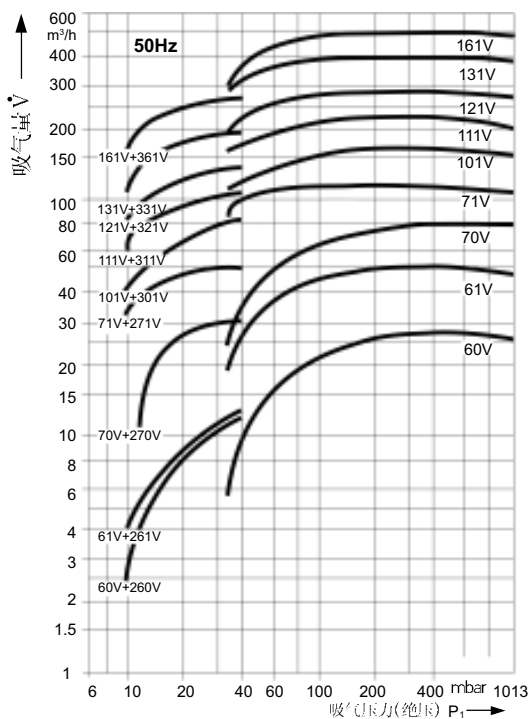
nash_elmo 真空泵适于抽除气体和水蒸汽, 吸气压力可以达到 33mbarA(97% 真空度)。当真空泵在吸气压力低于 80mbarA 的状态下长期工作时, 应联接汽蚀保护管以对泵进行保护。如配大气喷射器(见附件表)吸气压力可达 10mbarA, 喷射器可直接安装在真空泵上。

nash_elmo 2BV 系列真空泵由 2BV2 系列, 2BV5 系列, 2BV6 系列组成。其中 2BV2, 2BV5 系列为机泵同轴设计, 非常节省空间(防护等级为 IP54)2BV6 系列为真空泵与电机直联结构型式。

nash_elmo vacuum pumps are suitable for evacuating gases and wet vapours down to inlet pressures of 33 mbarA (97% vacuum). All these vacuum pumps are supplied with built-in cavitation protection. For long-term operation below 80 mbarA the cavitation protection should be connected for protecting the pump. An inlet pressure of 10 mbarA can be achieved by connecting a gas ejector (see accessories). The gas ejector can be mounted directly onto the vacuum pump.

The 2BV nash_elmo vacuum pumps consists of 2BV2, 2BV5 and 2BV6 series. The 2BV2, 2BV5 series are especially space saving units in monoblock design (degree of protection IP54). The 2BV6 range is in close-coupled design with drive motor.

性能曲线 Characteristic curves



左图性能曲线是在下列条件下得出的: 气体为 20°C 的饱和空气, 排气压力为 1013mbarA, 工作液温度 15°C, 性能允许误差为 ± 10%。

图中左侧性能曲线显示, 在配用大气喷射器后吸气压力可小于 33mbarA。工作液流量见第 4 页。

The characteristic curves are based on the evacuation of 100% saturated air with a temperature of 20°C. Discharge pressure is 1013 mbarA, and the operating liquid is water with a temperature of 15°C, tolerance ± 10%.

The characteristic curves with inlet pressure below 33mbarA are achieved with the vacuum pump and connected gas ejector (accessory). For the operating liquid flow, refer to page 4.

选型和订购资料, 50Hz

Selection and ordering data, 50 Hz

曲线 编号	结构材料 ¹⁾ ion	电机额定功率 (千瓦)	额定电压 (伏)	额定电流 (安培)	噪音 ²⁾ (分贝)	订购号	重量(约) 公斤
Curve No.	Material of construction ¹⁾	Motor Rated output kw	Rated voltage V	Rated current A	Sound pressure level ²⁾ dB(A)	Order No.	Weight approx. Kg

整体设计的 nash_elmo 真空泵, 50Hz

nash_elmo vacuum pumps in monoblock design, 50 Hz

60V	铸铁 / 铝青铜 / 铝青铜 Cast iron/bronze/bronze	0.81	220 △ /380Y	3.5 △ /2.0Y	62	2BV2 060-0NC00-2P	33
61V	铸铁 / 铝青铜 / 铝青铜 Cast iron/bronze/bronze	1.45	220 △ /380Y	5.9 △ /3.4Y	65	2BV2 061-0NC02-2P	34
70V	铸铁 / 铝青铜 / 铝青铜 Cast iron/bronze/bronze	2.35	220 △ /380Y	8.7 △ /5.0Y	66	2BV2 070-0NC00-2P	54
71V	铸铁 / 铝青铜 / 铝青铜 Cast iron/bronze/bronze	3.85	380 △ /660Y	8.2 △ /4.7Y	72	2BV2 071-0NC03-7P	62
101V	铸铁 / 铸铁 / 铝青铜 Cast iron/cast iron/bronze	4	380 △ /660Y	8.8 △ /5.1Y	63	2BV5 110-0KC00-7P	97
111V	铸铁 / 铸铁 / 铝青铜 Cast iron/cast iron/bronze	5.5	380 △ /660Y	13.2 △ /7.6Y	68	2BV5 111-0KC00-7P	113
121V	铸铁 / 铸铁 / 铝青铜 Cast iron/cast iron/bronze	7.5	380 △ /660Y	15.6 △ /9.0Y	69	2BV5 121-0KC00-7P	144
131V	铸铁 / 铸铁 / 铝青铜 Cast iron/cast iron/bronze	11	380 △ /660Y	22.6 △ /13.0Y	73	2BV5 131-0KC00-7P	194
161V	铸铁 / 铸铁 / 铝青铜 Cast iron/cast iron/bronze	15	380 △ /660Y	31.4 △ /18.1Y	74	2BV5 161-0KC02-7P	340

直联式 nash_elmo 真空泵, 50 Hz

nash_elmo vacuum pumps in close-coupled design, 50 Hz

101V	不锈钢 / 不锈钢 / 不锈钢 CrNi steel/CrNi steel/CrNi steel	4	380 △ /660Y	8.8 △ /5.1Y	63	2BV6110-0HC00-7P	145
111V	不锈钢 / 不锈钢 / 不锈钢 CrNi steel/CrNi steel/CrNi steel	5.5	380 △ /660Y	13.2 △ /7.6Y	68	2BV6111-0HC00-7P	197
121V	不锈钢 / 不锈钢 / 不锈钢 CrNi steel/CrNi steel/CrNi steel	7.5	380 △ /660Y	15.6 △ /9.0Y	69	2BV6121-0HC00-7P	221
131V	不锈钢 / 不锈钢 / 不锈钢 CrNi steel/CrNi steel/CrNi steel	11	380 △ /660Y	22.6 △ /13.0Y	73	2BV6131-0HC00-7P	303
161V	不锈钢 / 不锈钢 / 不锈钢 CrNi steel/CrNi steel/CrNi steel	15	380 △ /660Y	31.4 △ /18.1Y	74	2BV6161-0HC02-7P	439

直联式 nash_elmo 真空泵, 50 Hz, Ex e II T3

nash_elmo vacuum pumps in close-coupled design, 50 Hz, Ex eII T3

101V	不锈钢 / 不锈钢 / 不锈钢 CrNi steel/CrNi steel/CrNi steel	4	380 △ /660Y	8.8 △ /5.1Y	63	2BV6 110-0HD00-7P	154
	铸铁 / 铸铁 / 铝青铜 Cast iron/cast iron/bronze					2BV6 110-0KD00-7P	148
111V	不锈钢 / 不锈钢 / 不锈钢 CrNi steel/CrNi steel/CrNi steel	5.5	380 △ /660Y	13.2 △ /7.6Y	68	2BV6 111-0HD00-7P	210
	铸铁 / 铸铁 / 铝青铜 Cast iron/cast iron/bronze					2BV6111-0KD00-7P	196

选型和订购资料, 50Hz

Selection and ordering data, 50 Hz

曲线 编号 Curve No.	结构材料 ¹⁾ 泵体 / 圆盘 / 叶轮 Material of construction ¹⁾ Casing/port plate/impeller	电机额定功率 (千瓦) Motor Rated output kw	额定电压 (伏) Rated voltage V	额定电流 (安培) Rated current A	噪音 ²⁾ (分贝) Sound pressure level ²⁾ dB(A)	订购号 Order No.	重量(约) 公斤 Weight approx. Kg
--------------------------	--	--	-----------------------------------	------------------------------------	---	------------------	-------------------------------------

直联式 nash_elmo 真空泵, 50 Hz, Ex e II T3

nash_elmo vacuum pumps in close-coupled design, 50 Hz, Ex e II T3

131V	不锈钢 / 不锈钢 / 不锈钢	11	380 △ /660Y	22.6 △ /13.0Y	73	2BV6 131-0HD00-7P	328
	CrNi steel/CrNi steel/CrNi steel						
	铸铁 / 铸铁 / 铝青铜 Cast iron/cast iron/bronze						
161V	不锈钢 / 不锈钢 / 不锈钢	15	380 △ /660Y	31.4 △ /18.1Y	74	2BV6 161-0HD02-7P	475
	CrNi steel/CrNi steel/CrNi steel						
	铸铁 / 铸铁 / 铝青铜 Cast iron/cast iron/bronze						
	铸铁 / 铸铁 / 铝青铜					2BV6 131-0KD00-7P	314
	Cast iron/cast iron/bronze						

直联式 nash_elmo 真空泵, 50 Hz, Ex d I or Ex d II T4

nash_elmo vacuum pumps in close-coupled design, 50 Hz, Ex d I or Ex d II T4

101V	不锈钢 / 不锈钢 / 不锈钢	4	380 △ /660Y	8.8 △ /5.1Y	63	2BV6 110-0HE00-7P	154
	CrNi steel/CrNi steel/CrNi steel						
	铸铁 / 铸铁 / 铝青铜 Cast iron/cast iron/bronze						
111V	不锈钢 / 不锈钢 / 不锈钢	5.5	380 △ /660Y	13.2 △ /7.6Y	68	2BV6 111-0HE00-7P	210
	CrNi steel/CrNi steel/CrNi steel						
	铸铁 / 铸铁 / 铝青铜 Cast iron/cast iron/bronze						
121V	不锈钢 / 不锈钢 / 不锈钢	7.5	380 △ /660Y	15.6 △ /9.0Y	69	2BV6 121-0HE00-7P	235
	CrNi steel/CrNi steel/CrNi steel						
	铸铁 / 铸铁 / 铝青铜 Cast iron/cast iron/bronze						
131V	不锈钢 / 不锈钢 / 不锈钢	11	380 △ /660Y	22.6 △ /13.0Y	73	2BV6 131-0HE00-7P	328
	CrNi steel/CrNi steel/CrNi steel						
	铸铁 / 铸铁 / 铝青铜 Cast iron/cast iron/bronze						
161V	不锈钢 / 不锈钢 / 不锈钢	15	380 △ /660Y	31.4 △ /18.1Y	74	2BV6 161-0HE02-7P	475
	CrNi steel/CrNi steel/CrNi steel						
	铸铁 / 铸铁 / 铝青铜 Cast iron/cast iron/bronze						
	铸铁 / 铸铁 / 铝青铜					2BV6 131-0KE00-7P	314
	Cast iron/cast iron/bronze						

2BV. 真空泵采用单端面机械密封, 内冲洗(标准结构),

2BV6. 真空泵也可采用外冲洗的单端面或双端面机械密封。

2BV. vacuum pumps are supplied with single-acting mechanical seal and internal sealant supply (Standard construction),

For the 2BV6. range, single-acting mechanical seal and double-acting mechanical seal with external sealant supply are also available.

1) 参阅 5-8 页的材料结构说明。

See materials of construction pages 5 to 8.

2) 噪音是在进气压力 (100 毫巴) 和管路已连接好的情况下距其 1 米处测量。根据 DIN45635, 第 13 部分。

Measuring-surface sound-pressure level in acc.with DIN 45635, Part 13, measured at 1 m distance at medium inlet pressure (100mbarA) and with pipes connected.

工作液流量 Operating liquid flow , 50Hz

型号	在 50 赫兹, 不同吸入压力 P ₁ (绝压) 外循环 ¹⁾ / 内循环 ²⁾ 条件下的工作液用量		
Type	Operating liquid flow at 50Hz, for fresh water operation ¹⁾ / optional recirculation ²⁾ of operating liquid		
	Inlet pressure P ₁ (abs.)		
	<200 mbar m ³ /h	200-500 mbar m ³ /h	>500 mbar m ³ /h
2BV2:			
2BV2 060	0.20 / 0.12	0.20 / 0.12	0.20 / 0.12
2BV2 061	0.23 / 0.12	0.23 / 0.12	0.23 / 0.12
2BV2 070	0.28 / 0.15	0.28 / 0.15	0.28 / 0.15
2BV2 071	0.40 / 0.25	0.40 / 0.25	0.40 / 0.25

2BV5 / 2BV6:

2BV. 110	0.80 / 0.45	0.35 / 0.25	0.30 / 0.12
2BV. 111	1.00 / 0.50	0.40 / 0.30	0.35 / 0.12
2BV. 121	1.20 / 0.60	0.40 / 0.30	0.35 / 0.12
2BV. 131	1.80 / 0.90	0.45 / 0.40	0.40 / 0.18
2BV. 161	2.40 / 1.20	0.70 / 0.60	0.50 / 0.25

最大允许的吸入水量和最大允许的出口背压, 三相 50Hz

Maximum permissible water carry-over or maximum permissible back pressure , three-phase current, 50Hz

型号 Type	最大允许的吸入水量 Max.of permitted water carry-over m ³ /h	最大允许的出口背压 Max.permissible back pressure mbarA
2BV2:		
2BV2 060	0.50	1200
2BV2 061	0.57	1200
2BV2 070	0.70	1200
2BV2 071	1.12	1200

2BV5 / 2BV6:

2BV. 110	2.5	1300
2BV. 111	3.0	1300
2BV. 121	3.5	1300
2BV. 131	5.0	1300
2BV. 161	3.0	1300

特殊说明

Special versions

机泵同轴, 直联式 nash_elmo 真空泵也可用作压缩机。欲知详情请与我们联系。

nash_elmo vacuum pumps in monoblock and close-coupled design are also available as compressors.

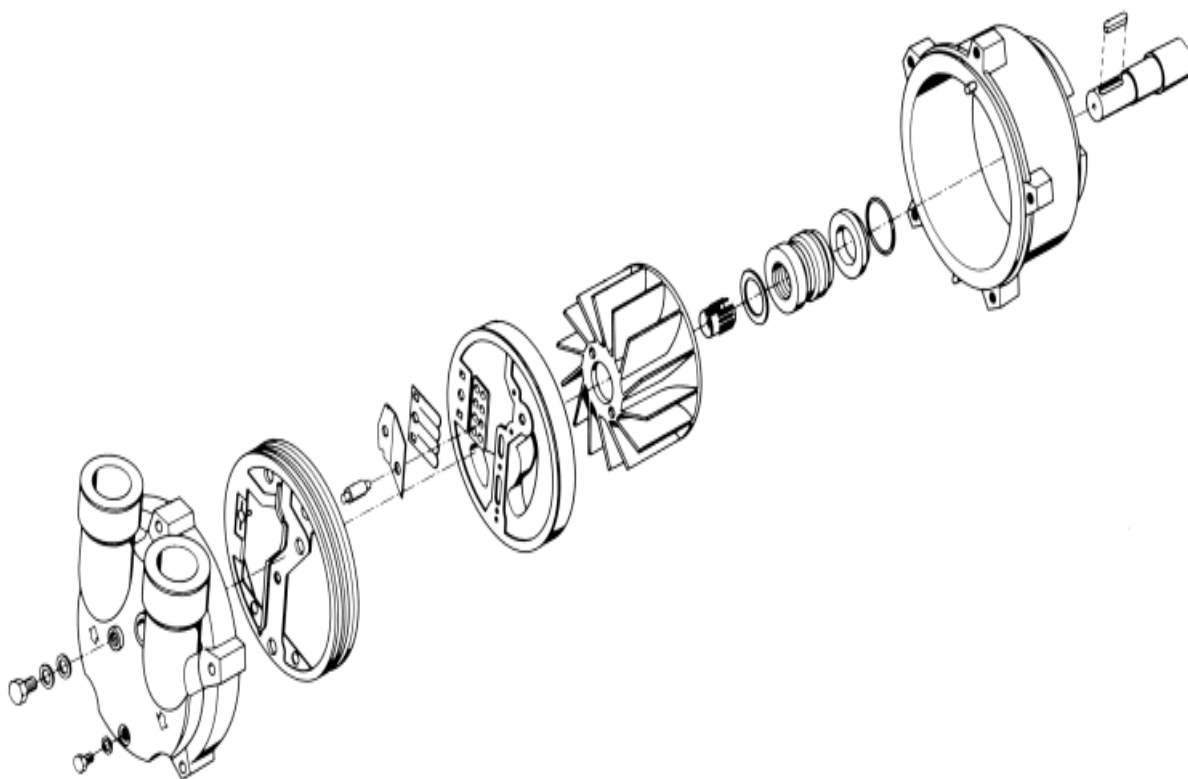
For further information please contact us.

1) 无汽水分离器。

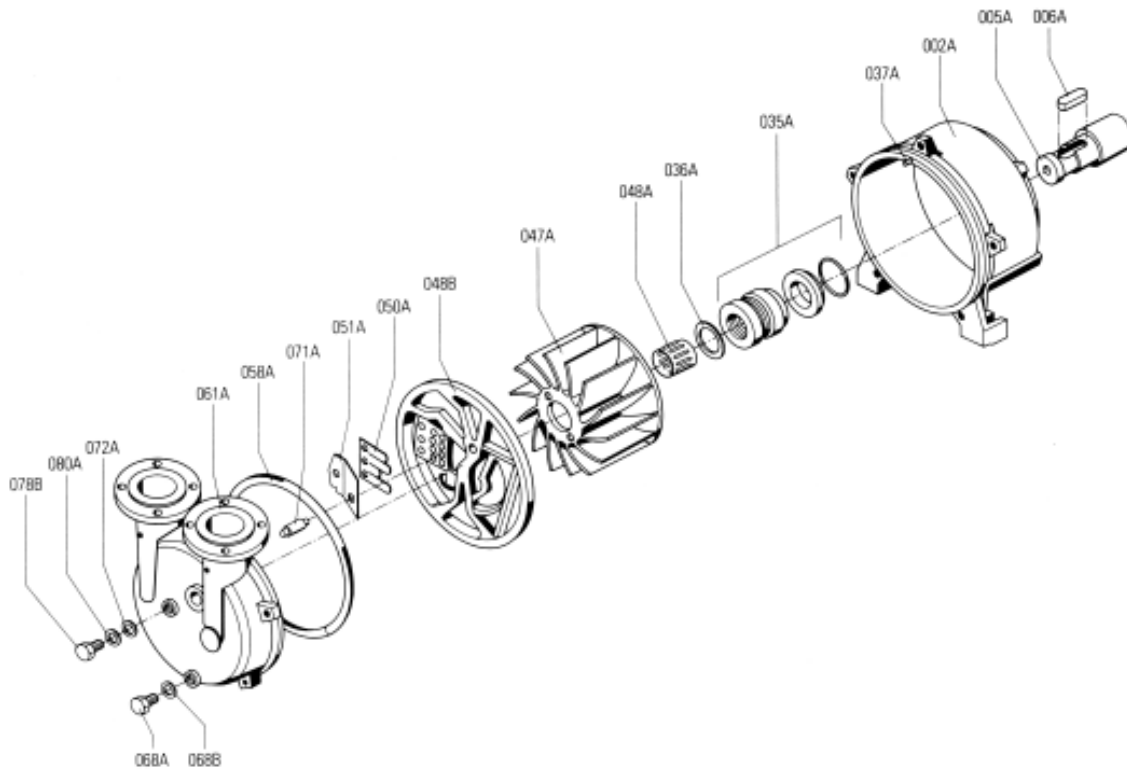
Without discharge liquid separator.

2) 带汽水分离器和内循环工作液(附件)。

With discharge liquid separator and internal operating liquid recirculation (accessory).

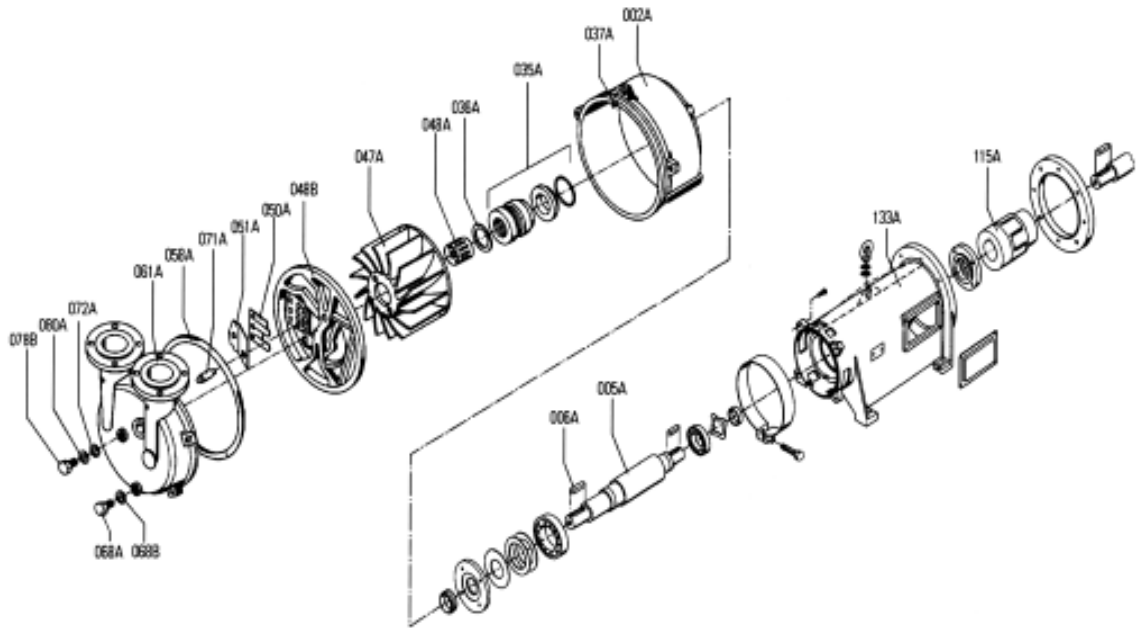


零件号 Part No.	名称 Name	材料 Material	Material
002A	泵体 Casing	灰口铸铁 / 铝青铜 / 铝青铜 GB9439-88-HT200	Grey cast iron /bronze /bronze Grey cast iron (ASTM A 48-92/CI 30B)
005A	电机轴 Motor shaft	不锈钢 GB1220-92-2Cr13	Chrome steel (ASTM A 276-96/420)
006A	键 Feather key	不锈钢 GB1220-92-2Cr13	Chrome steel (ASTM A 276-96/420)
035A	机械密封 Mechanical seal	石墨 / 陶瓷 / 氟橡胶 / 不锈钢	Carbon/ceramic/fluorine- caotchouc/chrome-nickel steel
036A	垫圈 Washer	不锈钢 GB1220-92-0Cr18Ni12Mo2Ti	Chrome-nickel steel (ASTM A 276-96/316Ti)
037A	定位销 Set screw	钢 GB699-88	Steel DIN EN 28750
047A	叶轮 Impeller	铝青铜 DIN 1714 G-CuAl10Ni	Cast aluminium bronze (ASTM B 148-74,No.955)
048A	叶轮间隙环 Tolerance ring for impeller	不锈钢 ASTM A 276-96/304	Chrome-nickel steel (ASTM A 276-96/304)
048B	圆盘 Port plate	铝青铜 DIN1714-G-CuAl10Ni	Cast aluminium bronze (ASTM B 148-74,No.955)
050A	阀片 Valve plate	聚四氟乙烯 PTFE	Teflon PTFE
051A	阀片挡板 Intercepting plate	不锈钢 GB3280-92-0Cr18Ni12Mo2Ti	Chrome-nickel steel (ASTM A 276-96/316Ti)
057A	密封垫 Sealing ring	丁晴橡胶 ASTM D 1418-72a,NBR	Nitrile-butadiene-caotchouc (ASTM D 1418-72a,NBR)
061A	泵盖 Endshield	灰口铸铁 GB9439-88-HT200	Grey cast iron (ASTM A 48-92/CI 30B)
068A	丝堵 Plug screw	钢	Steel
068B	密封环 Sealing ring	聚四氟乙烯 PTFE	Teflon PTFE
071A	汽蚀保护管 Pipe for cavitation protection	不锈钢 GB3280-92-0Cr18Ni12Mo2Ti	Chrome-nickel steel (ASTM A 276-96/316Ti)
072A	汽蚀保护垫圈 Washer for cavitation protection	不锈钢 GB1220-92-0Cr18Ni9	Chrome-nickel steel (ASTM A 240-75/304)
078B	丝堵 Plug screw	钢	Steel
080A	密封环 Sealing ring	聚四氟乙烯 PTFE	Teflon PTFE



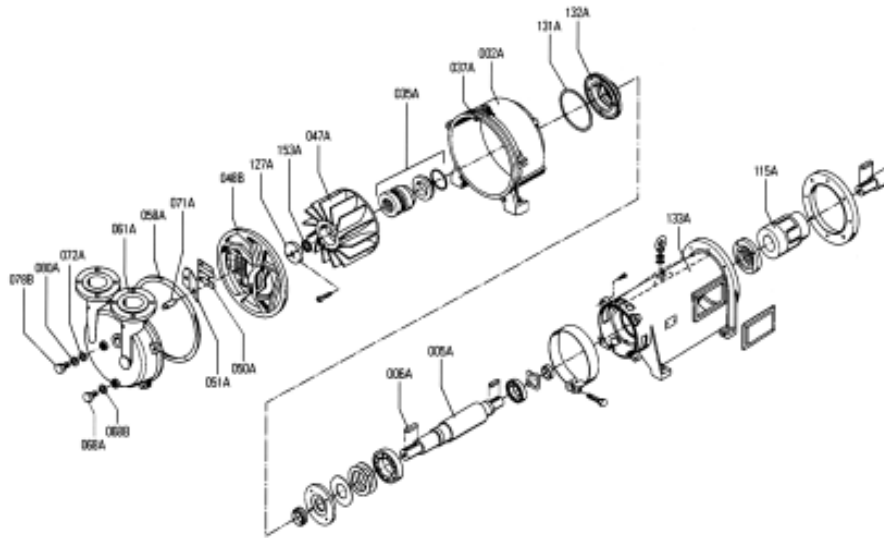
零件号 Part No.	名称 Name	材料 Material	Material
002A	泵体 Casing	灰口铸铁 / 灰口铸铁 / 铝青铜 GB9439-88-HT200	Grey cast iron /grey cast iron /bronz (ASTM A 48-92/CI 30B)
005A	电机轴 Motor shaft	不锈钢 GB1220-92-2Cr13	Chrome steel (ASTM A 276-96/420)
006A	键 Feather key	不锈钢 GB1220-92-2Cr13	Chrome steel (ASTM A 276-96/420)
035A	机械密封 Mechanical seal	石墨 / 陶瓷 / 氟橡胶 / 不锈钢	Carbon/ceramic/fluorine- caotchouc/chrome-nickel -molybdenum steel
036A	垫圈 Washer	不锈钢 GB1220-92-2Cr13	Chrome steel (ASTM A 276-96/420)
037A	定位销 Set screw	钢 GB699-88	Steel DIN EN 28750
047A	叶轮 Impeller	铝青铜 DIN 1714 G-CuAl10Ni	Cast aluminium bronze (ASTM B 148-74,No.955)
048A	叶轮间隙环 Tolerance ring for impeller	不锈钢 ASTM A 276-96/304	Chrome-nickel steel (ASTM A 276-96/304)
048B	圆盘 Port plate	灰口铸铁 GB9439-88-HT200	Grey cast iron (ASTM A 48-92/CI 30B)
050A	阀片 Valve plate	聚四氟乙烯 PTFE	Teflon PTFE
051A	阀片挡板 Intercepting plate	不锈钢 GB3280-92-0Cr18Ni12Mo2Ti	Chrome-nickel steel (ASTM A 276-96/316Ti)
058A	密封圈 O-ring	丁腈橡胶 ASTM D 1418-72a,NBR	Nitrile-butadiene-caotchouc (ASTM D 1418-72a,NBR)
061A	泵盖 Endshield	灰口铸铁 GB9439-88-HT200	Grey cast iron (ASTM A 48-92/CI 30B)
068A	丝堵 Plug screw	钢	Steel
068B	密封垫 Sealing ring	聚四氟乙烯 PTFE	Teflon PTFE
071A	汽蚀保护管 Pipe for cavitation protection	聚四氟乙烯 PTFE	Teflon PTFE
072A	汽蚀保护垫圈 Washer for cavitation protection	不锈钢 GB1220-92-0Cr18Ni9	Chrome-nickel steel (ASTM A 240-75/304)
078B	丝堵 Plug screw	钢	Steel
080A	密封垫 Sealing ring	聚四氟乙烯 PTFE	Teflon PTFE

2BV6 结构材料(铸铁结构) Materials of construction for 2BV6 (cast iron version)



零件号 Part No.	名称 Name	材料 灰铸铁 / 灰铸铁 / 铝青铜	Material: Grey cast iron /Grey cast iron /Bronze
002A	泵体 Casing	灰口铸铁 GB9439-88-HT200	Grey cast iron (ASTM A 48-92/CI 30B)
005A	泵轴 Pump shaft	不锈钢 GB1220-92-2Cr13	Chrome steel (ASTM A 276-96/420)
006A	键 Feather key	不锈钢 GB1220-92-2Cr13	Chrome-nickel steel (ASTM A 276-96/420)
035A	机械密封 Mechanical seal	石墨 / 陶瓷 / 氟橡胶 / 不锈钢	Carbon/Ceramic/Fluorine-caotchouc/Chrome-nickel -molybdenum steel
036A	垫圈 Washer	不锈钢 GB1220-92-2Cr13	Chrome steel (ASTM A 276-96/420)
037A	定位销 Set screw	钢 GB699-88	Steel DIN EN 28750
047A	叶轮 Impeller	铝青铜 DIN 1714 G-CuAl10Ni	Cast aluminium bronze (ASTM B 148-74, No.955)
048A	叶轮间隙环 Tolerance ring for impeller	不锈钢 ASTM A 276-96/304	Chrome-nickel steel (ASTM A 276-96/304)
048B	圆盘 Port plate	灰口铸铁 GB9439-88-HT200	Grey cast iron (ASTM A 48-92/CI 30B)
050A	阀片 Valve plate	聚四氟乙烯 PTFE	Teflon PTFE
051A	阀片挡板 Intercepting plate	不锈钢 GB3280-92-0Cr18Ni12Mo2Ti	Chrome-nickel steel (ASTM A 276-96/316Ti)
058A	密封圈 O-ring	丁腈橡胶	Nitrile-butadiene-caotchouc (ASTM D 1418-72a,NBR)
061A	泵盖 Endshield	灰口铸铁 GB9439-88-HT200	Grey cast iron (ASTM A 48-92/CI 30B)
068A	丝堵 Plug screw	钢	Steel
068B	密封垫 Sealing ring	聚四氟乙烯 PTFE	Teflon PTFE
071A	汽蚀保护管 Pipe for cavitation protection	聚四氟乙烯 PTFE	Teflon PTFE
072A	汽蚀保护垫圈 Washer for cavitation protection	不锈钢 GB1220-92-0Cr18Ni9	Chrome-nickel steel (ASTM A 240-75/304)
078B	丝堵 Plug screw	钢	Steel
080A	密封垫 Sealing ring	聚四氟乙烯 PTFE	Teflon PTFE
115A	联轴器 Flexible coupling	梅花形弹性联轴器	ML series coupling
133A	托架 Support	灰口铸铁 GB9439-88-HT200	Grey cast iron (ASTM A 48-92/CI 30B)

2BV6 结构材料(不锈钢结构) Materials of construction for 2BV6 (stainless steel version)







零件号 Part No.	名称 Name	材料	Material:
002A	泵体 Casing	不锈钢 GB2100-80-0Cr18Ni12Mo2Ti	CrNi steel/CrNi steel/CrNi steel Cast chrome-nickel steel (ASTM A 743/A 743M-95/CF-3MN)
005A	泵轴 Pump shaft	不锈钢 GB1220-92-0Cr18Ni12Mo2Ti	Chrome-nickel steel (ASTM A 276-96/316Ti)
006A	键 Feather key	不锈钢 GB1220-92-0Cr18Ni12Mo2Ti	DIN 6885,chrome-nickel steel (ASTM A 276-96/316Ti)
035A	机械密封 Mechanical Seal	石墨 / 陶瓷 / 包氟橡胶 / 不锈钢	Sic/Carbon/Viton,double(PTFE) sheathed/CrNiMo steel
037A	定位销 Set screw	不锈钢 GB1220-92-0Cr18Ni12Mo2Ti	Chrome-nickel steel (ASTM A 276-96/316Ti)
047A	叶轮 Impeller	不锈钢 GB2100-80-0Cr18Ni12Mo2Ti	Cast chrome-nickel steel (ASTM A 743/A 743M-95/CF-3MN)
048B	圆盘 Port plate	不锈钢 GB2100-80-0Cr18Ni12Mo2Ti	Cast chrome-nickel steel (ASTM A 743/A 743M-95/CF-3MN)
050A	阀片 Valve plate	聚四氟乙烯 PTFE	Teflon PTFE
051A	阀片挡板 Intercepting plate	不锈钢 GB3280-92-0Cr18Ni12Mo2Ti	Chrome-nickel steel (ASTM A 276-96/316Ti)
058A	密封圈 O-ring	聚四氟乙烯包绕氟橡胶	Viton,double(PTFE) sheathed
061A	泵盖 Endshield	不锈钢 GB2100-80-0Cr18Ni12Mo2Ti	Cast chrome-nickel steel (ASTM A 743/A 743M-95/CF-3MN)
068A	丝堵 Plug screw	不锈钢	Chrome-nickel steel
068B	密封垫 Sealing ring	聚四氟乙烯 PTFE	Teflon PTFE
071A	汽蚀保护管 Pipe of cavitation protection	聚四氟乙烯 PTFE	Teflon PTFE
072A	汽蚀保护垫圈 Washer for cavitation protection	不锈钢 GB1220-92-0Cr18Ni9	Chrome-nickel steel (ASTM A 240-75/304)
078B	丝堵 Plug screw	不锈钢	Chrome-nickel steel
080A	密封垫 Sealing ring	聚四氟乙烯 PTFE	Teflon PTFE
115A	联轴器 Flexible coupling	梅花形弹性联轴器	ML series coupling
127A	叶轮压板 Supporting disc	不锈钢 GB1220-92-0Cr18Ni12Mo2Ti	Chrome-nickel steel (ASTM A 276-96/316Ti)
131A	密封圈 O-ring	聚四氟乙烯包绕氟橡胶	Viton,double(PTFE) sheathed
132A	法兰 Flange	不锈钢 GB2100-80-0Cr18Ni12Mo2Ti	Chrome-nickel steel (ASTM A 743/A 743M-95/CF-3MN)
133A	托架 Support	灰口铸铁 GB9439-88-HT200	Grey cast iron (ASTM A 48-92/CI 30B)
153A	垫圈 Washer	不锈钢 GB1220-92-0Cr18Ni12Mo2Ti	Chrome-nickel steel (ASTM A 276-96/316Ti)

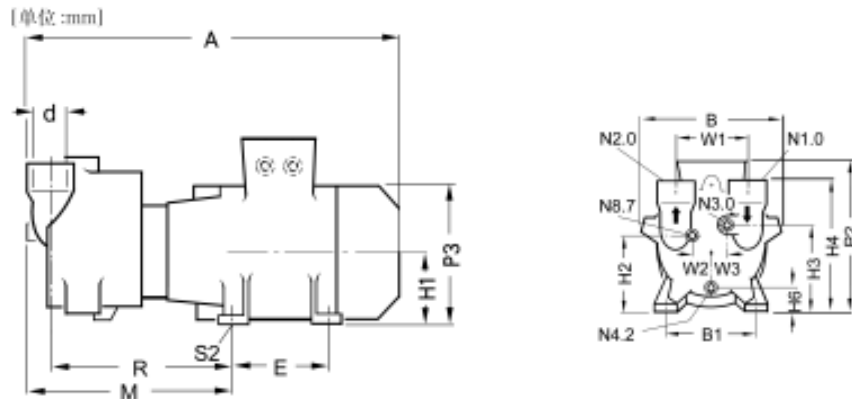
2BV2 附件订购数据 Selection and ordering data accessories for 2BV2

		材质 Material	泵型号 For type	订购号 Order No.	重量 Weight approx. kg
 <p>汽水分离器 带内循环管路 和汽蚀保护管 Discharge liquid separator including recirculation pipe and cavitation protection pipe</p>		钢 Steel	2BV2 060-0N...	2BX1 061	4
			2BV2 061-0N...	2BX1 061	4
			2BV2 070-0N...	2BX1 062	7
			2BV2 071-0N...	2BX1 062	7
 <p>止回阀 (对夹式) 垂直安装 Non-return valve (between flanges) for vertical mounting</p>		钢 Steel	2BV2 060-0N...	2BY6 903-0BX08	0.7
			2BV2 061-0N...	2BY6 903-0BX08	0.7
			2BV2 070-0N...	2BY6 904-0BX08	0.7
			2BV2 071-0N...	2BY6 904-0BX08	0.7
		不锈钢 Chrome-nickel steel	2BV2 060-0N...	2BY6 903-0HX08	0.8
		2BV2 061-0N...	2BY6 903-0HX08	0.8	
		2BV2 070-0N...	2BY6 904-0HX08	0.8	
		2BV2 071-0N...	2BY6 904-0HX08	0.8	
 <p>安装配件 用于将止回阀直接安装在泵上 Mounting accessory for direct mounting of the non- return valve onto the pump 包括一套法兰, 螺栓和垫片 consisting of 1 set of flanges, fixing screws and gaskets</p>		铸铁 Cast iron	2BV2 060-0N...	已包含于相应的 止回阀内	1.5
			2BV2 061-0N...	1.5	
		2BV2 070-0N...	Included in the	1.9	
		2BV2 071-0N...	no-return valve	1.9	
 <p>大气喷射器 (性能曲线参阅第一页) Gas ejector (characteristic curves see page 1) Mains frequency 50 Hz and 60Hz 频率 50Hz/60Hz</p>	<p>曲线编号 Curve No.</p> <p>60V + 260V</p> <p>62V + 262V</p> <p>61V + 261V</p> <p>63V + 263V</p> <p>70V + 270V</p> <p>72V + 272V</p> <p>71V + 271V</p> <p>73V + 273V</p>	<p>大气阀体, 扩压器, 喷嘴 Head;diffusor;nozzle 铸铁, 黄铜, 黄铜 Cast iron;brass;brass</p>			
			2BV2 060-0N...	2BP1 061-1N	2
			2BV2 060-0N...	2BP1 061-1N	2
			2BV2 061-0N...	2BP1 061-1N	2
			2BV2 061-0N...	2BP1 061-1N	2
			2BV2 070-0N...	2BP1 070-1N	3
			2BV2 070-0N...	2BP1 070-1N	3
			2BV2 071-0N...	2BP1 071-1N	4
			2BV2 071-0N...	2BP1 071-1N	4

2BV5, 2BV6 附件订购数据 Selection and ordering data accessories for 2BV5 and 2BV6

		材质 Material	型号 type	订购号 Order No.	重量 Weight approx. kg	
	汽水分离器 带内循环管路和防汽蚀保护管 以及密封垫和螺栓 Discharge liquid separator including recirculation pipe. cavitation protection pipe. gaskets and screws	Steel 钢	2BV5 11.-0K...	2BX1 100	12	
				2BV5 12./13.-0K...	2BX1 101	15
				2BV5 16.-0K...	2BX1 106	18
		不锈钢 Chrome-nickel steel	2BV. 11. -0H...	2BX1 102	17	
			2BV. 12./13. -0H...	2BX1 103	19.5	
			2BV. 16. -0H...	2BX1 107	38	
	止回阀 (对夹式) 垂直安装 Non-return valve (between flanges) for vertical mounting	阀体: 钢 Casing: Steel	2BV. 11.-0K...	2BY6 905-5BX08	1.2	
		密封垫: 聚四氟乙烯 Gasket:Teflon	2BV. 12./13.-0K...	2BY6 906-5BX08	1.7	
			2BV. 16.-0K...	2BY6 908-5BX08	2.3	
		阀体: 不锈钢 Casing:Chrome-nickel Steel	2BV. 11. -0H...	2BY6 905-5HX08	1.2	
		2BV. 12./13. -0H...	2BY6 906-5HX08	1.7		
		2BV. 16. -0H...	2BY6 908-5HX08	2.3		
	配对法兰 法兰,带密封垫和连接螺栓 Mating flange Flange with gaskets and fixing screws	法兰: 钢 Flange: Steel		订购时须注明法兰 形式和标准号		
		法兰: 不锈钢 Flange:Chrome-nickel				
大气喷射器 (性能曲线参阅第一页) Gas ejector (characteristic curves see page 1)						
Mains frequency 50 Hz 频率为 50Hz						
	曲线编号 Curve No.	大气阀体, 扩压器, 喷嘴 Head;Diffusor;Nozzle				
	101V + 301V	可锻铸铁; 可锻铸铁; 不锈钢	2BV. 110-0K...	2BP5 110-1KC	15	
	111V + 311V		2BV. 111-0K...	2BP5 111-1KC	15	
	121V + 321V	Ductile cast iron;	2BV. 121-0K...	2BP5 121-1KC	19	
	131V + 331V	Ductile cast iron;	2BV. 131-0K...	2BP5 131-1KC	19	
	161V + 361V	Chrome-nickel steel	2BV. 161-0K...	2BP5 161-1KC	25	
	101V + 301V	不锈钢, 不锈钢, 不锈钢	2BV6 110-0H...	2BP5 110-1HC	15	
	111V + 311V	Chrome-nickel steel	2BV6 111-0H...	2BP5 111-1HC	15	
	121V + 321V	Chrome-nickel steel	2BV6 121-0H...	2BP5 121-1HC	19	
	131V + 331V	Chrome-nickel steel	2BV6 131-0H...	2BP5 131-1HC	19	
	161V + 361V		2BV6 161-0H...	2BP5 161-1HC	25	

BV2 外形尺寸 Dimensions for 2BV2



N1.0 吸气口

N2.0 排气口

N3.0 工作液接口

N4.2 排空口

N8.7 汽蚀保护管接口(内置)

N1.0 Suction connection

N2.0 Discharge connection

N3.0 Operating liquid connection

N4.2 Drain and sealant supply

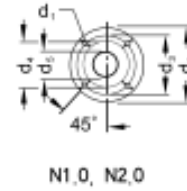
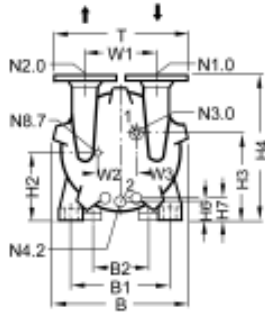
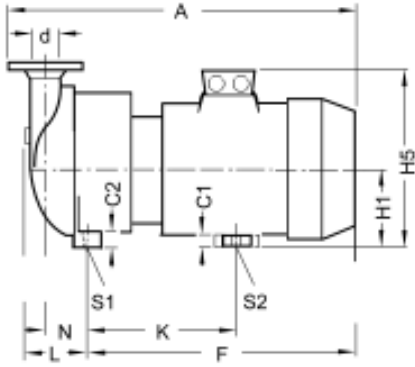
N8.7 Cavitation protection (built-in)

型号 Type	曲线编号 Curve No.	A	B	B1	E	H1	H2	H3	H4	H6	M	P2	P3
2BV2 060	60V	455	186	140	100	90	118	126	195	37.5	244	250	180
2BV2 061	61V	476	186	140	100	90	118	126	195	37.5	263	250	180
2BV2 070	70V	545	223	160	140	100	128	146	222	33	280	270	203
2BV2 071	71V	566	223	190	140	112	140	158	234	45	309	300	225

型号 Type	曲线编号 Curve No.	R	S2	W1	W2	W3	d	N3.0	N4.2	N8.7
2BV2 060	60V	217	∅ 10	110	25.5	21	G 1"	G 3/8"	G 3/4"	G 3/8"
2BV2 061	61V	236	∅ 10	110	25.5	21	G 1"	G 3/8"	G 3/4"	G 3/8"
2BV2 070	70V	252	∅ 12	110	33	27	G 1 1/2"	G 3/8"	G 3/4"	G 3/8"
2BV2 071	71V	278	∅ 12	110	33	27	G 1 1/2"	G 3/8"	G 3/4"	G 3/8"

2BV5 外形尺寸 Dimensions for 2BV5

[单位: mm]



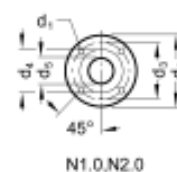
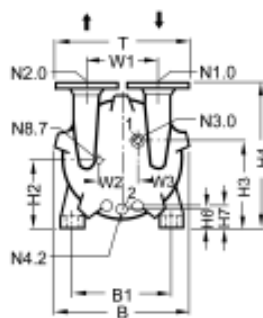
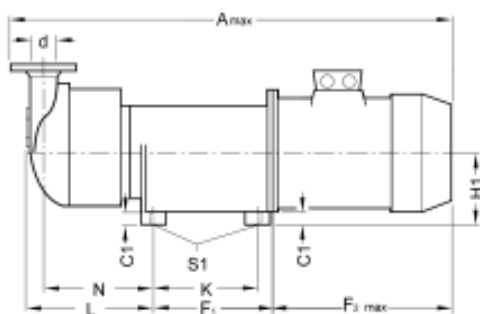
- | | |
|------------------|---------------------------------------|
| N1.0 吸气口 | N1.0 Suction connection |
| N2.0 排气口 | N2.0 Discharge connection |
| N3.0 工作液接口 | N3.0 Operating liquid connection |
| N4.2 排空口 | N4.2 Drain and sealant supply |
| N8.7 汽蚀保护管接口(内置) | N8.7 Cavitation protection (built-in) |

型号 Type	曲线编号 Curve No.	A	B	B1	B2	C1	C2	H1	H2	H3	H4	H5	H6	H7	K	L
2BV5 110	101V	637	325	255	190	41	26	140	156	202	361	328	38	57	342	130
2BV5 111	111V	679	325	265	216	36	26	150	166	212	371	363	48	68	348	130
2BV5 121	121V	771	347	265	216	36	26	150	167	217	385	363	39	60	430	147
2BV5 131	131V	852	377	300	254	35	30	175	194	249	427	435	53	76	477.5	147
2BV5 161	161V	1044	479	370	370	30	30	210	225	303	521	485	51	80	625	201

型号 Type	曲线编号 Curve No.	F	N	S1	S2	T	d1	d2	d3	d4	d5
2BV5 110	101V	464	92	Ø12 × 23-	Ø12	340	19	160	123	97	52
2BV5 111	111V	500	92	Ø12 × 23-	Ø12	340	19	160	123	97	52
2BV5 121	121V	584	97	Ø12 × 23-	Ø12	381.5	19	182	142	113	66.6
2BV5 131	131V	658.5	103	Ø15 × 25-	Ø15	381.5	19	182	142	113	66.5
2BV5 161	161V	808	138	Ø15 × 27-	Ø15	450	22	200	156	130	80

型号 Type	曲线编号 Curve No.	W1	W2	W3	d(N1.0,N2.0)	N3.0	N4.2	N8.7
2BV5 110	101V	180	52	27	DN50	3/4"(丝长 24) (24deep)	G 3/8"(丝长 25) (25deep)	G 3/8"(丝长 11) (11deep)
2BV5 111	111V	180	52	27	DN50	3/4"(丝长 24) (24deep)	G 3/8"(丝长 25) (25deep)	G 3/8"(丝长 11) (11deep)
2BV5 121	121V	200	57	29	DN65	3/4"(丝长 24) (24deep)	G 3/8"(丝长 25) (25deep)	G 3/8"(丝长 11) (11deep)
2BV5 131	131V	200	57	29	DN65	3/4"(丝长 24) (24deep)	G 3/8"(丝长 25) (25deep)	G 3/8"(丝长 11) (11deep)
2BV5 161	161V	250	81	41	DN80	3/4"(丝长 24) (24deep)	G 3/8"(丝长 25) (25deep)	G 3/8"(丝长 11) (11deep)

2BV6 外形尺寸(铸铁结构) Dimensions for 2BV6 (Cast iron version)



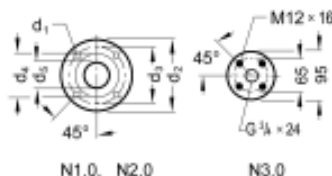
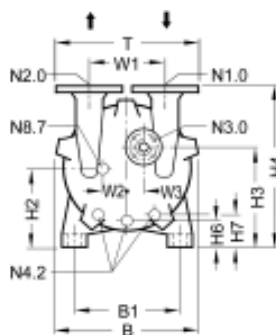
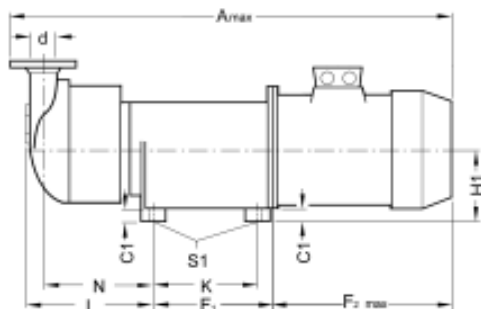
- | | |
|------------------|---------------------------------------|
| N1.0 吸气口 | N1.0 Suction connection |
| N2.0 排气口 | N2.0 Discharge connection |
| N3.0 工作液接口 | N3.0 Operating liquid connection |
| N4.2 排空口 | N4.2 Drain and sealant supply |
| N8.7 汽蚀保护管接口(内置) | N8.7 Cavitation protection (built-in) |

型号 Type	曲线编号 Curve No.	A _{max}	B	B1	C1	F1	F2 _{max}	H1	H2	H3	H4	H6	H7	K	L	N
2BV6 110-0K...	101V	1190	330	255	26	291	450	160	173	223	381	58	77	250	319	281
2BV6 111-0K...	111V	1237	330	279	26	360	470	180	196	242	401	78	97	320	365	327
2BV6 121-0K...	121V	1368	351	279	26	360	575	180	197	247	415	69	90	320	384	342
2BV6 131-0K...	131V	1495	382	320	26	461	585	215	234	287	467	93	116	414	405	357
2BV6 161-0K...	161V	1625	484	320	26	461	640	215	230	310	526	56	85	414	480	416

型号 Type	曲线编号 Curve No.	W1	W2	W3	S1	T	d1	d2	d3	d4	d5
2BV6 110-0K...	101V	180	52	27	Ø13 × 23-	340	19	160	123	97	52
2BV6 111-0K...	111V	180	52	27	Ø13 × 23-	340	19	160	123	97	52
2BV6 121-0K...	121V	200	57	29	Ø13 × 23-	381.5	19	181.5	142	113	66.5
2BV6 131-0K...	131V	200	62.5	32	Ø15 × 27-	381.5	19	181.5	142	113	66.5
2BV6 161-0K...	161	250	81	41	Ø15 × 27-	450	22	200	156	130	80

型号 Type	曲线编号 Curve No.	d(N1.0,N2.0)	N3.0	N4.2	N8.7
2BV6 110-0K...	101V	DN50	G 3/4"(丝长 24) (24deep)	G 3/8"(丝长 25) (25deep)	G 3/8"(丝长 11) (11deep)
2BV6 111-0K...	111V	DN50	G 3/4"(丝长 24) (24deep)	G 3/8"(丝长 25) (25deep)	G 3/8"(丝长 11) (11deep)
2BV6 121-0K...	121V	DN65	G 3/4"(丝长 24) (24deep)	G 3/8"(丝长 25) (25deep)	G 3/8"(丝长 11) (11deep)
2BV6 131-0K...	131V	DN65	G 3/4"(丝长 24) (24deep)	G 3/8"(丝长 25) (25deep)	G 3/8"(丝长 11) (11deep)
2BV6 161-0K...	161V	DN80	G 3/4"(丝长 24) (24deep)	G 3/8"(丝长 25) (25deep)	G 3/8"(丝长 11) (11deep)

2BV6 外形尺寸(不锈钢结构) Dimensions for 2BV6 (Chrome-nickel steel version)



- | | |
|------------------|---------------------------------------|
| N1.0 吸气口 | N1.0 Suction connection |
| N2.0 排气口 | N2.0 Discharge connection |
| N3.0 工作液接口 | N3.0 Operating liquid connection |
| N4.2 排空口 | N4.2 Drain and sealant supply |
| N8.7 汽蚀保护管接口(内置) | N8.7 Cavitation protection (built-in) |

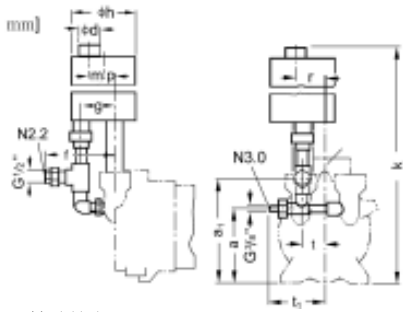
型号 Type	曲线编号 Curve No.	A_{max}	B	B1	C1	F1	$F2_{max}$	H1	H2	H3	H4	H6	H7	K	L	N
2BV6 110-0H...	101V	1102	330	255	26	291	450	160	173	223	381	58	77	250	319	281
2BV6 111-0H...	111V	1220	330	279	26	360	470	180	193	243	401	78	97	320	349	311
2BV6 121-0H...	121V	1353	351	279	26	360	575	180	197	247	415	69	90	320	372	328
2BV6 131-0H...	131V	1490	382	320	26	461	585	215	234	287	467	93	116	414	400	353
2BV6 161-0H...	161V	1602	484	320	26	461	640	215	230	310	526	56	85	414	466	402

型号 Type	曲线编号 Curve No.	W1	W2	W3	S1	T	d1	d2	d4	d3	d5
2BV6 110-0H...	101V	180	52	27	$\text{Ø}13 \times 23-$	340	19	160	97	123	52
2BV6 111-0H...	111V	180	52	27	$\text{Ø}13 \times 23-$	340	19	160	97	123	52
2BV6 121-0H...	121V	200	57	29	$\text{Ø}13 \times 23-$	381.5	19	181.5	113	142	66.5
2BV6 131-0H...	131V	200	62.5	32	$\text{Ø}15 \times 27-$	381.5	19	181.5	113	142	66.5
2BV6 161-0H...	161V	250	81	41	$\text{Ø}15 \times 27-$	450	22	200	130	156	80

型号 Type	曲线编号 Curve No.	d(N1.0,N2.0)	N3.0	N4.2	N8.7
2BV6 110-0H...	101V	DN50	DN15+G 3/4" (丝长 24/24deep)	G 3/8"(丝长 25) (25deep)	G 3/8"(丝长 11) (11deep)
2BV6 111-0H...	111V	DN50	DN15+G 3/4" (丝长 24/24deep)	G 3/8"(丝长 25) (25deep)	G 3/8"(丝长 11) (11deep)
2BV6 121-0H...	121V	DN65	DN15+G 3/4" (丝长 24/24deep)	G 3/8"(丝长 25) (25deep)	G 3/8"(丝长 11) (11deep)
2BV6 131-0H...	131V	DN65	DN15+G 3/4" (丝长 24/24deep)	G 3/8"(丝长 25) (25deep)	G 3/8"(丝长 11) (11deep)
2BV6 161-0H...	161V	DN80	DN15+G 3/4" (丝长 24/24deep)	G 3/8"(丝长 25) (25deep)	G 3/8"(丝长 11) (11deep)

2BV. 附件尺寸 Dimensions for accessories 2BV.

[单位: mm]

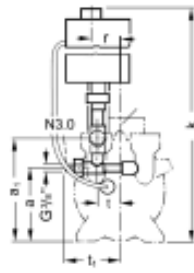


N2.2 分离器溢流口

N3.0 工作液接口

N2.2 Separator overflow

N3.0 Operating liquid connection



不带汽蚀保护管的汽水分离器

Discharge liquid separator without cavitation protection pipe

2BV2 060-071 汽水分离器

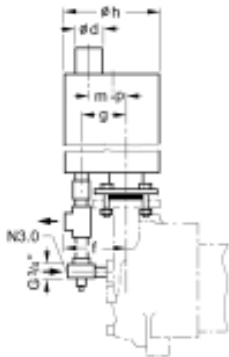
Discharge liquid separator for 2BV2 060-071

带汽蚀保护管的汽水分离器

Discharge liquid separator with

cavitation protection pipe connected

订购代码 Order No.	泵型号 For type	a	a1	Ø d	f	g	Ø h	k	m	p	r	t	t1
2BX1 061	2BV2 060	126	201	40	153	72	125	531	27	30	71	75	185
2BX1 061	2BV2 061	126	201	40	153	72	125	531	27	30	71	75	185
2BX1 062	2BV2 070	146	221	50	167	86	161	630	19	31	86	69	179
2BX1 062	2BV2 071	158	233	50	167	86	161	642	19	31	86	69	179

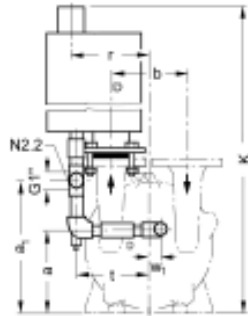


N2.2 分离器溢流口

N3.0 工作液接口

N2.2 Separator overflow

N3.0 Operating liquid connection



不带汽蚀保护管的汽水分离器

Discharge liquid separator without cavitation protection pipe

2BV5 和 2BV6...-OK 汽水分离器

Discharge liquid separator for 2BV5 and 2BV6...-OK

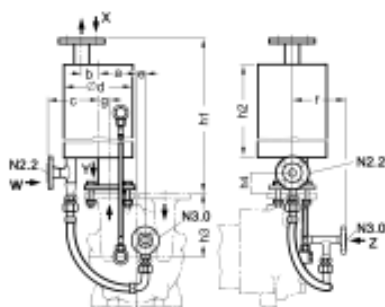
带汽蚀保护管的汽水分离器

Discharge liquid separator with

Cavitation protection pipe connected

订购代码 Order No.	泵型号 For type	a*	a1*	b	fd	f1	f2	g	fh	k*	m	p	r	t	w1
2BX1 100	2BV. 110	202/223	322/343	180	63	125	120	87	200	904/925	54	22	144	151	27
2BX1 100	2BV. 111	212/242	332/362	180	63	125	120	87	200	914/944	54	22	144	151	27
2BX1 101	2BV. 121	217/247	337/367	200	75	131	126	93	250	915/945	18	12	200	200	29
2BX1 101	2BV. 131	249/287	369/407	200	75	131	126	93	250	955/993	18	12	200	200	32
2BX1 106	2BV. 161	305/310	425/430	250	89	151	146	115	325	1121/1126	0	0	255	185	41

*注: 斜线后尺寸适于 2BV6...-OK The dimensions after / are for 2BV6...-OK



N2.2 分离器溢流口¹⁾ Separator overflow¹⁾

N3.0 工作液接口 Operating liquid connection

1) 2BX1 10. : 法兰符合 GB/T9115 和 ANSI-1¹/₄-150

2BX1 10. : Flange suitable for GB/T9115 and ANSI-1¹/₄-150

2) 2BX1 102: 法兰符合 GB/T9115 和 ANSI-2-150

2BX1 102: Flange suitable for GB/T9115 and ANSI-2-150

2BX1 103: 法兰符合 GB/T9115 和 ANSI-2¹/₂-150

2BX1 103: Flange suitable for GB/T9115 and ANSI-2¹/₂-150

2BX1 107: 法兰符合 GB/T9115 和 ANSI-4-150

2BX1 107: Flange suitable for GB/T9115 and ANSI-4-150

3) 2BX1 102 和 2BX1 103 为 GB/T9118 松套法兰

2BX1 102 and 2BX1 103 : Loose flange suitable for GB/T9118

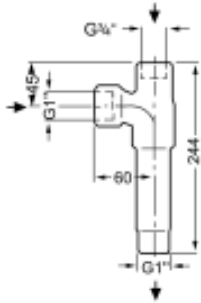
2BV6...-OH 汽水分离器

Discharge liquid separator for 2BV6...-OH

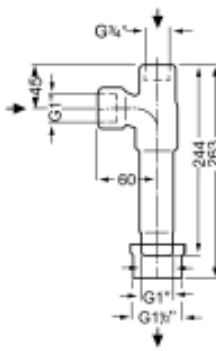
订购代码 Order No.	泵型号 For type	a	b	c	d	e	f	g	h1	h2	h3	h4	d2	d3	d4	d2	d3
2BX1 102	2BV6 110	123	45	157	204	25	164	33	598	380	221	87	165	125	120.6	165	125
2BX1 102	2BV6 111	123	45	157	204	25	164	33	598	380	221	87	165	125	120.6	165	125
2BX1 103	2BV6 121	143	62	157	254	29	170	43	598	380	235	41.5	185	145	139.7	185	145
2BX1 103	2BV6 131	143	62	157	254	32	173	43	598	380	252	41.5	185	145	139.7	185	145
2BX1 107	2BV6 161	203	100	77	355	41	188	78	717	505	311	27	220	190.5	180	220	160

2BV 附件尺寸 Dimensions for accessories 2BV.

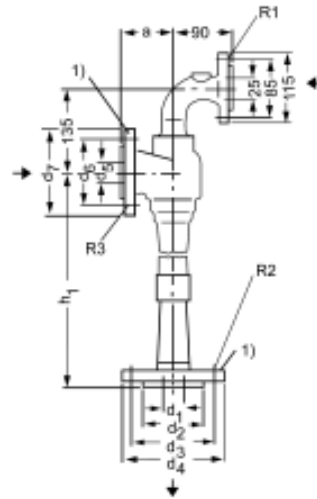
[单位: mm]



大气喷射器
Gas ejector
2BP1 061



大气喷射器
Gas ejector
2BP1 07.



大气喷射器
Gas ejector
2BP5

2BV5 和 2BV6 大气喷射器 Gas ejector for 2BV5 and 2BV6

订购代码 Order No.	泵型号 For type	a	d1	d2	d3	d4	d5	d6	d7	h1	Ø R ₁	Ø R ₂	Ø R ₃
50Hz													
2BP5 110-1.C	2BV. 110	104	32	78	125	165	32	100	140	352	4 × 14	4 × 18	4 × 18
2BP5 111-1.C	2BV. 111	104	32	78	125	165	32	100	140	352	4 × 14	4 × 18	4 × 18
2BP5 121-1.C	2BV. 121	114	40	88	145	185	40	110	150	412	4 × 14	4 × 18	4 × 18
2BP5 131-1.C	2BV. 131	114	40	88	145	185	40	110	150	412	4 × 14	4 × 18	4 × 18
2BP5 161-1.C	2BV. 161	100	50	102	160	200	50	125	165	605	4 × 14	8 × 18	4 × 18
60Hz													
2BP5 110-1.C	2BV. 110	104	32	78	125	165	32	100	140	352	4 × 14	4 × 18	4 × 18
2BP5 111-1.C	2BV. 111	104	32	78	125	165	40	100	140	412	4 × 14	4 × 18	4 × 18
2BP5 121-1.C	2BV. 121	114	40	88	145	185	40	110	150	412	4 × 14	4 × 18	4 × 18
2BP5 131-1.C	2BV. 131	114	40	88	145	185	50	110	150	605	4 × 14	4 × 18	4 × 18
2BP5 161-1.C	2BV. 161	100	50	102	160	200	50	125	165	605	4 × 14	8 × 18	4 × 18

2BV2, 2BV5 和 2BV6 止回阀

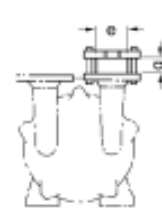
Non-return valve for 2BV2, 2BV5 and 2BV6

订购代码 Order No.	泵型号 For type	e	f	g
2BY6 903-0.X08	2BV2 060/2BV2 061	65	G1"	75
2BY6 904-0.X08	2BV2 070/2BV2 071	85	G1 1/2"	86
2BY6 905-5.X08	2BV. 110/2BV. 111	100	-	44
2BY6 906-5.X08	2BV.121/2BV. 131	118	-	48
2BY6 908-5.X08	2BV. 161	138	-	55

1) 松套法兰 Loose flange



2BY6 903/4-0.X08
带安装附件
with mounting accessory



2BY6 905/6/8-0.X08
不带安装附件
2BY6 905/6/8-0.X08
without mounting accessory