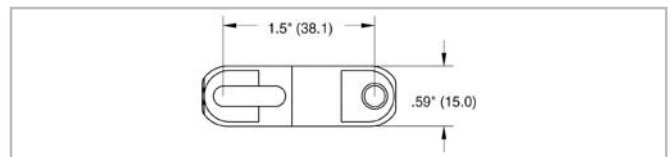
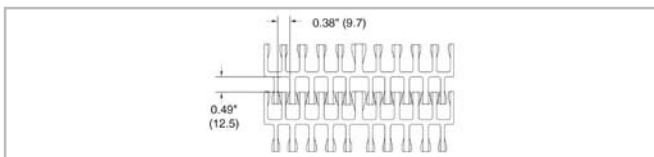


# KVP® straight 1-1/2" pitch belting SP615 (Flush Grid)



## Description

- 1-1/2 inch pitch
- 75% open area
- Food approved materials
- Bi-directional
- Connecting rod diameter = 0.188 inch (4.8 mm)
- Standard belt width increments = 3 inch (76.2 mm) nominal, starting from 6 inches (152.4 mm).
- Non-standard widths available in 5/8 inch (15.9 mm) increments from 4 inches (101.6 mm) upon request.
- Material selection may affect belt width — please contact your local partner for actual dimensions

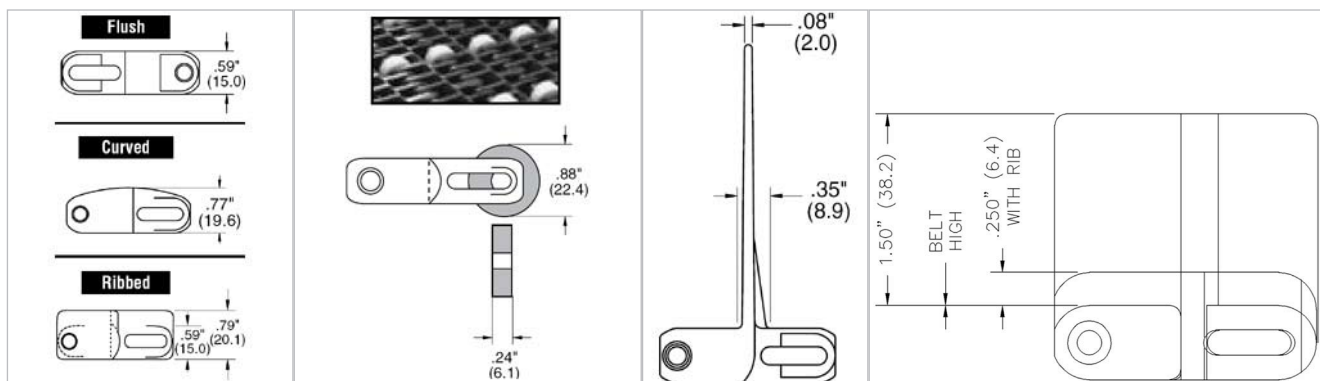


## Belt data

Belt material		PP	PE	POM	Nylon (PA 66)
Rod material		PP	PE		PP
Nominal tensile strength $F'_N$	N/m	14593	11675	21890	21890
straight run	lb/ft	1000	800	1500	1500
Temperature range	°C	5 - 99	-70 - 65	5 - 93	5 - 118
	°F	40 - 210	-94 - 150	40 - 200	40 - 245
Belt weight $m_B$	kg/m <sup>2</sup>	5.4	5.6	7.8	6.8
	lb/sqft	1.11	1.14	1.59	1.40
Standard belt color		gray	white	blue/off-white	dark gray

Additional belt colors and materials available, abrasive resistant Nylon (Polyamide) rods available – contact your local partner.

## Belt accessories



### Inserts

Note: Inserts may affect belt pull - please contact your local partner.

### Rollerbelt

### Standard flights

Standard flights are available in Sideplates are available; belt height, with rib, and 1-1/2" height. 1", 2", and 3" heights.

# KVP® straight 1-1/2" pitch belting SP615 (Flush Grid)



## **Product liability, application considerations**

If the proper selection and application of Habasit products are not recommended by an authorized Habasit sales specialist, the selection and application of Habasit products, including the related area of product safety, are the responsibility of the customer.

All indications / information are recommendations and believed to be reliable, but no representations, guarantees, or warranties of any kind are made as to their accuracy or suitability for particular applications. The data provided herein are based on laboratory work with small-scale test equipment, running at standard conditions, and do not necessarily match product performance in industrial use. New knowledge and experiences can lead to modifications and changes within a short time without prior notice.

BECAUSE CONDITIONS OF USE ARE OUTSIDE OF HABASIT'S AND ITS AFFILIATED COMPANIES CONTROL, WE CANNOT ASSUME ANY LIABILITY CONCERNING THE SUITABILITY AND PROCESS ABILITY OF THE PRODUCTS MENTIONED HEREIN. THIS ALSO APPLIES TO PROCESS RESULTS / OUTPUT / MANUFACTURING GOODS AS WELL AS TO POSSIBLE DEFECTS, DAMAGES, CONSEQUENTIAL DAMAGES, AND FURTHER-REACHING CONSEQUENCES.