

Product Range

Variable Area
Flow Meters
Type 335, Type 350
Short Version
Special Version



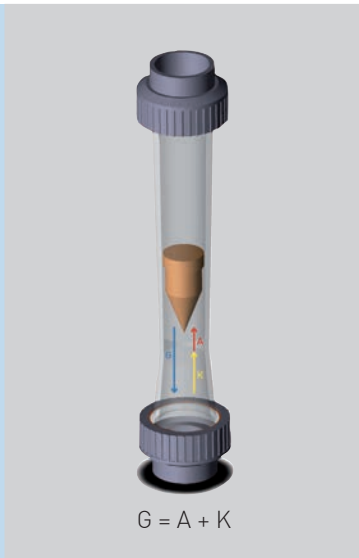
+GF+

GEORG FISCHER
PIPING SYSTEMS

Benefits

Variable area flow meters – a reliable, accurate and economical measuring principle.

Variable area flow meters from GF Piping Systems are radially installed dismantlable meters for flow measuring in industrial piping applications. The measurement ranges, which are attuned to our customers' needs, and the range of materials available for the tubes and connection ends, mean that the flow meters can be used for a wide range of applications and a great variety of media.



Measuring principle - Three main forces act on the float

- The weight G
- The buoyancy A
- The flow force K

Main advantages

- The flowmeters require no auxiliary power
- Cost effective to measure the flow rate
- Break-proof and corrosion-resistant
- Accessories like sensor 4-20 mA and limit contacts
- Guiding rod from DN50 for stabilisation of float within volume flow
- Low pressure loss
- Can be used for liquids and gases
- Volume- and % scale as standard



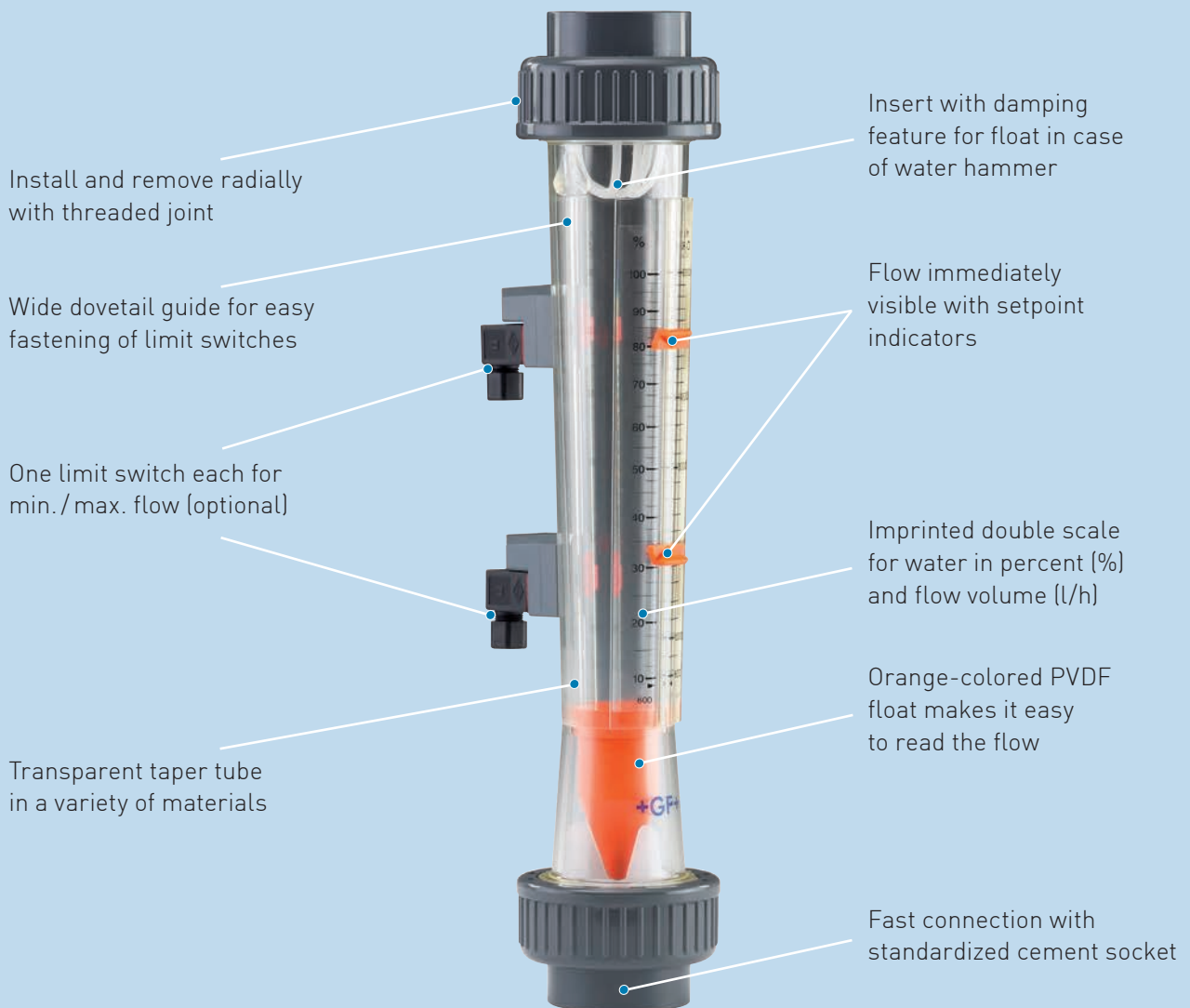
Segments

- Water Treatment
- Chemical Process Industry
- Microelectronics
- Food & Beverage
- Ship Building
- Building technology
- And many more

Features

Know your flow

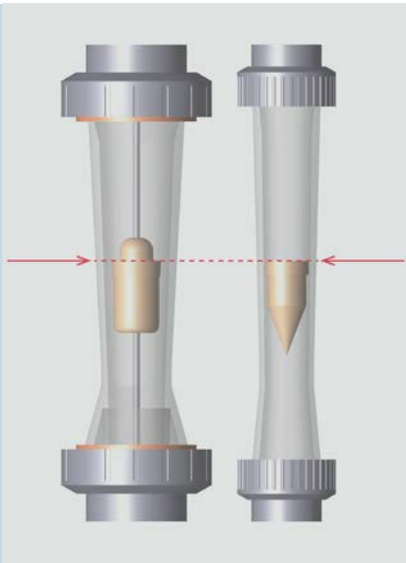
All the flow meters are equipped with a double scale: a percentage scale as well as a scale for the flow volume in l/h for water (H₂O). Special scales are on offer for m³/h, GPM, in addition to special graduations for HCL, NaOH, air and can be affixed on taper tubes without scales subsequently. Measuring accuracy falls in the accuracy class 4 according to VDE/VDI 3513 Part 2.



System details

The float measuring principle – accurate flow measurement of liquids and gases.

If a medium flows upwards at a sufficient rate of flow through the vertically mounted taper tube, the float is raised to the point at which a state of equilibrium sets in between the lifting force of the medium and the weight of the float. Since the mean rate of flow is proportional to the quantity flowing through per unit of time, this state of equilibrium corresponds to the measurement of the instantaneous flow rate.

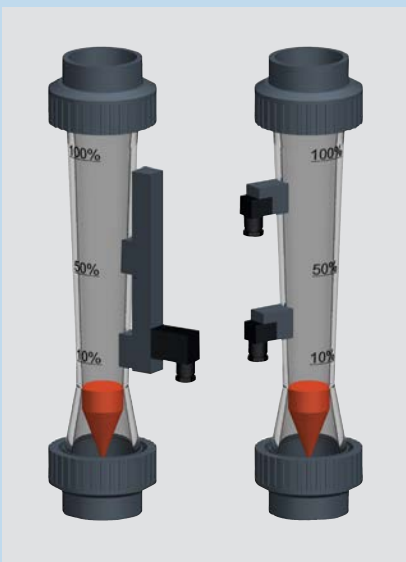


Accurate reading

The top edge of the float indicates the flow volume. If special scales are applied subsequently, it must be ascertained that the scale marking ►◄ is affixed congruently with the one on the taper tube.

Installation lengths and materials

The variable area flow meters are now available in the installation lengths 335 mm, 350 mm, 200 mm, 185 mm and 165 mm. The taper tubes are available in Polyamid, Polysulfon and transparent PVC-U. The standard floats are in PVDF with or without magnet. The end stops are in PVDF. The threaded joint including insert is available in PVC-U, as well as in PP, PE or ABS on request. The O-rings are made of EPDM or FPM. The nominal pressure is 10 bar at 20°C.



Before installing

1. The pincer-like transport lock must be removed. To do this, the upper union nut is unscrewed and the upper insert including seals is removed. Double-check the taper tube and if available the guiding rod on damages caused due to shipping.
2. Then the VAFM must be reassembled.
3. The piping system into which the VAFM is installed must be in a vertical position to ensure its functionality.
4. An inlet and outlet section must be provided for (inlet ca. 10 x DN, outlet ca. 5 x DN).

Accessories

Due to the integrated dovetail shaft it is possible to mount further accessories like 4-20 mA flow sensor GK15 or limit contacts GK10/11.

Technical Data

The most important data at a glance.

The VDE/VDI 3513 Part 2 guideline describes the procedure for converting the scales of variable area flow meters. It takes into account all material and flow parameters including pressure, temperature, density and viscosity. GF Piping Systems offer you tables to accommodate changed operating conditions. You can find the tables in the GF Piping Systems Planning Fundamentals.

Accuracy of measurement VDE/VDI 3513, accuracy class 4, ± 1% related to the full scale ± 3% related to the measured value

Flow rate in %	10	20	30	40	50	60	70	80	90	100
Total measurement error % of measured value	13,00	8,00	6,33	5,50	5,00	4,67	4,43	4,25	4,11	4,00
Total measurement error % of full scale value	1,3	1,6	1,9	2,2	2,5	2,9	3,1	3,4	3,7	4,0

Temperature range

Taper tube	Union	max. temperature at 1 bar
PVC-U	PVC-U	0 – 60°C
PA	PVC-U	0 – 60°C
PSU	PVC-U	0 – 60°C
PSU	PVDF	0 – 90°C
PVDF	PVDF	0 – 100°C

Pressure loss for type 335 / 350

Measuring range [l/h]	50 – 500	100 – 1000	150 – 1500	250 – 2500	200 – 2000	300 – 3000
Pressure loss [mbar]	22,84	22,84	22,84	22,84	24,99	24,99

Measuring range [l/h]	600 – 6000	1000 – 10000	1500 – 15000	2000 – 20000	3000 – 30000	8000 – 60000
Pressure loss [mbar]	24,99	24,99	28,23	45,67	45,67	47,24

Chemical resistance list

Chemical		PVC-U	PA	PSU	PVDF	PEEK	SS
Acid	phosphoric acid H3PO4 75%	X	0	X	X	X	-
	sulfuric acid H2SO4 <90%	X	-	-	X	-	-
	nitric acid HNO3 <55%	X	-	-	X	-	-
	nitric acid HNO3 67%	-	-	-	X	-	-
	hydrofluoric acid HF <70%	X	-	-	X	-	-
	hydrochloric acid HCl 36%	X	0	X	X	0	-
Base	ammonia NH4OH 25%	X	X	X	-	X	X
	caustic potash KOH <50%	X	0	X	-	X	X
	caustic soda NaOH <50%	X	0	X	-	X	X
Anorganica	ferric chloride FeCl3	X	X	X	X	X	-
	sodium hydrochloride NaOCl 15%	X	X	X	-	X	0
	sodium bisulfite NaHSO3 <40%	X	X	X	X	X	X
	hydrogen peroxide H2O2 35%	X	-	X	0	X	X
	aqueous inorganic saline solutions (not oxidizing) til saturation	X	X	X	X	X	0
Organica	formic acid HCOOH 85%	0	-	0	0	0	0
	acetic acid CH3COOH 85%	0	-	0	0	0	X
	formaldehyde H2CO <40%	X	-	X	0	X	X
	glycol <50%	0	-	X	X	X	X
	acetone undiluted	-	0	-	0	X	X
	ethanol, methanol undiluted	0	-	X	X	X	X
	aliphatic hydrocarbons undiluted	0	X	X	X	X	X

Valid for 40°C and 2bar

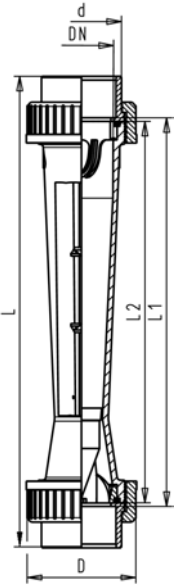
X: recommended 0: with limitations -: not recommended

For higher or lower concentrations than mentioned in the list or entry "0", please contact gss@georgfischer.com

Table of Contents

	Page
Variable Area Flow Meter Type 335	
- without magnet in the materials PVC-U, PA and PSU	8
- with magnet in the materials PVC-U, PA and PSU	9
Variable Area Flow Meter Type 350	
- without magnet in the materials PVC-U, PA and PSU	10
- with magnet in the materials PVC-U, PA and PSU	11
Variable Area Flow Meter Short Version	
- without magnet in the materials PVC-U, PA and PSU	12
- with magnet in the materials PVC-U, PA and PSU	12
Variable Area Flow Meter Special Version	
- PVDF HP	13
- PVDF	13
Accessories	
- Limit contacts GK10 und GK11	14
- Sensor 4-20 mA GK15	14
- Special scales	17
Spare Parts	
- Type 335	23
- Type 350	27
- Short version	32
Adjustment Factors	34

Variable area flow meter type 335
Float in PVDF without magnet
With solvent cement sockets PVC-U metric



Scale range [l/h]	d [mm]	DN [mm]	Taper tube in PVC-U transp. O- rings in EPDM Code	Taper tube in Polyamid O-rings in EPDM Code	Taper tube in Polysulfone O- rings in EPDM Code
50 - 500	32	25	198 335 000	198 335 020	198 335 040
100 - 1000	32	25	198 335 001	198 335 021	198 335 041
150 - 1500	40	32	198 335 002	198 335 022	198 335 042
250 - 2500	40	32	198 335 003	198 335 023	198 335 043
200 - 2000	50	40	198 335 004	198 335 024	198 335 044
300 - 3000	50	40	198 335 005	198 335 025	198 335 045
600 - 6000	50	40	198 335 006	198 335 026	198 335 046
600 - 6000	63	50	198 335 007	198 335 027	198 335 047
1000 - 10000	63	50	198 335 008	198 335 028	198 335 048
1500 - 15000	63	50	198 335 009	198 335 029	198 335 049
2000 - 20000	75	65	198 335 010	198 335 030	198 335 050
3000 - 30000	75	65	198 335 011	198 335 031	198 335 051
8000 - 60000	75	65	198 335 012	198 335 032	198 335 052

Scale range [l/h]	D [mm]	L [mm]	L1 [mm]	L2 [mm]	G [inch]
50 - 500	58	385	341	335	1 ½
100 - 1000	58	385	341	335	1 ½
150 - 1500	72	393	341	335	2
250 - 2500	72	393	341	335	2
200 - 2000	83	403	341	335	2 ¼
300 - 3000	83	403	341	335	2 ¼
600 - 6000	83	403	341	335	2 ¼
600 - 6000	101	417	341	335	2 ¾
1000 - 10000	101	417	341	335	2 ¾
1500 - 15000	101	417	341	335	2 ¾
2000 - 20000	135	429	341	335	3 ½
3000 - 30000	135	429	341	335	3 ½
8000 - 60000	135	429	341	335	3 ½



Variable area flow meter type 335

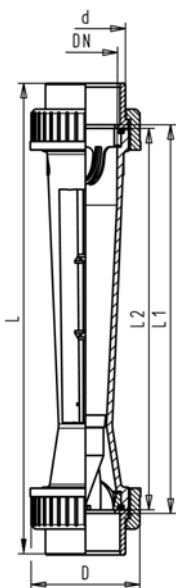
Float in PVDF with magnet

With solvent cement sockets PVC-U metric

Model:

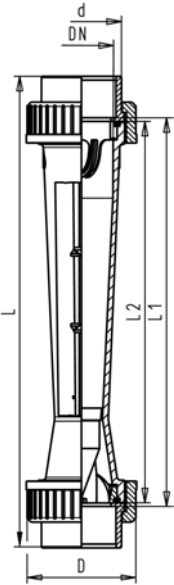
- Suitable limit switches see accessories for variable area flow meters

Scale range [l/h]	d [mm]	DN [mm]	Taper tube in PVC-U transp. O- Rings in EPDM Code	Taper tube in Polyamid O-rings in EPDM Code	Taper tube in Polysulfone O- rings in EPDM Code
50 - 500	32	25	198 335 100	198 335 120	198 335 140
100 - 1000	32	25	198 335 101	198 335 121	198 335 141
150 - 1500	40	32	198 335 102	198 335 122	198 335 142
250 - 2500	40	32	198 335 103	198 335 123	198 335 143
200 - 2000	50	40	198 335 104	198 335 124	198 335 144
300 - 3000	50	40	198 335 105	198 335 125	198 335 145
600 - 6000	50	40	198 335 106	198 335 126	198 335 146
600 - 6000	63	50	198 335 107	198 335 127	198 335 147
1000 - 10000	63	50	198 335 108	198 335 128	198 335 148
1500 - 15000	63	50	198 335 109	198 335 129	198 335 149
2000 - 20000	75	65	198 335 110	198 335 130	198 335 150
3000 - 30000	75	65	198 335 111	198 335 131	198 335 151
8000 - 60000	75	65	198 335 112	198 335 132	198 335 152



Scale range [l/h]	D [mm]	L [mm]	L1 [mm]	L2 [mm]	G [inch]
50 - 500	58	385	341	335	1 ½
100 - 1000	58	385	341	335	1 ½
150 - 1500	72	393	341	335	2
250 - 2500	72	393	341	335	2
200 - 2000	83	403	341	335	2 ¼
300 - 3000	83	403	341	335	2 ¼
600 - 6000	83	403	341	335	2 ¼
600 - 6000	101	417	341	335	2 ¾
1000 - 10000	101	417	341	335	2 ¾
1500 - 15000	101	417	341	335	2 ¾
2000 - 20000	135	429	341	335	3 ½
3000 - 30000	135	429	341	335	3 ½
8000 - 60000	135	429	341	335	3 ½

Variable area flow meter type 350
Float in PVDF without magnet
With solvent cement sockets PVC-U metric



Scale range [l/h]	d [mm]	DN [mm]	Taper tube in PVC-U transp. O- rings in EPDM Code	Taper tube in Polyamid O-rings in EPDM Code	Taper tube in Polysulfone O- rings in EPDM Code
50 - 500	32	25	198 350 000	198 350 020	198 350 040
100 - 1000	32	25	198 350 001	198 350 021	198 350 041
150 - 1500	40	32	198 350 002	198 350 022	198 350 042
250 - 2500	40	32	198 350 003	198 350 023	198 350 043
200 - 2000	50	40	198 350 004	198 350 024	198 350 044
300 - 3000	50	40	198 350 005	198 350 025	198 350 045
600 - 6000	50	40	198 350 006	198 350 026	198 350 046
600 - 6000	63	50	198 350 007	198 350 027	198 350 047
1000 - 10000	63	50	198 350 008	198 350 028	198 350 048
1500 - 15000	63	50	198 350 009	198 350 029	198 350 049
2000 - 20000	75	65	198 350 010	198 350 030	198 350 050
3000 - 30000	75	65	198 350 011	198 350 031	198 350 051
8000 - 60000	75	65	198 350 012	198 350 032	198 350 052

Scale range [l/h]	D [mm]	L [mm]	L1 [mm]	L2 [mm]	G [inch]
50 - 500	58	400	356	350	1 ½
100 - 1000	58	400	356	350	1 ½
150 - 1500	72	408	356	350	2
250 - 2500	72	408	356	350	2
200 - 2000	83	418	356	350	2 ¼
300 - 3000	83	418	356	350	2 ¼
600 - 6000	83	418	356	350	2 ¼
600 - 6000	101	432	356	350	2 ¾
1000 - 10000	101	432	356	350	2 ¾
1500 - 15000	101	432	356	350	2 ¾
2000 - 20000	135	444	356	350	3 ½
3000 - 30000	135	444	356	350	3 ½
8000 - 60000	135	444	356	350	3 ½

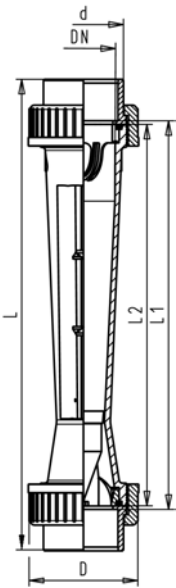


Variable area flow meter type 350 Float in PVDF with magnet With solvent cement sockets PVC-U metric

Model:

- Suitable limit switches see accessories for variable area flow meters

Scale range [l/h]	d [mm]	DN [mm]	Taper tube in PVC-U transp. O- Rings in EPDM Code	Taper tube in Polyamid O-rings in EPDM Code	Taper tube in Polysulfone O- rings in EPDM Code
50 - 500	32	25	198 350 100	198 350 120	198 350 140
100 - 1000	32	25	198 350 101	198 350 121	198 350 141
150 - 1500	40	32	198 350 102	198 350 122	198 350 142
250 - 2500	40	32	198 350 103	198 350 123	198 350 143
200 - 2000	50	40	198 350 104	198 350 124	198 350 144
300 - 3000	50	40	198 350 105	198 350 125	198 350 145
600 - 6000	50	40	198 350 106	198 350 126	198 350 146
600 - 6000	63	50	198 350 107	198 350 127	198 350 147
1000 - 10000	63	50	198 350 108	198 350 128	198 350 148
1500 - 15000	63	50	198 350 109	198 350 129	198 350 149
2000 - 20000	75	65	198 350 110	198 350 130	198 350 150
3000 - 30000	75	65	198 350 111	198 350 131	198 350 151
8000 - 60000	75	65	198 350 112	198 350 132	198 350 152



Scale range [l/h]	D [mm]	L [mm]	L1 [mm]	L2 [mm]	G [inch]
50 - 500	58	400	356	350	1 ½
100 - 1000	58	400	356	350	1 ½
150 - 1500	72	408	356	350	2
250 - 2500	72	408	356	350	2
200 - 2000	83	418	356	350	2 ¼
300 - 3000	83	418	356	350	2 ¼
600 - 6000	83	418	356	350	2 ¼
600 - 6000	101	432	356	350	2 ¾
1000 - 10000	101	432	356	350	2 ¾
1500 - 15000	101	432	356	350	2 ¾
2000 - 20000	135	444	356	350	3 ½
3000 - 30000	135	444	356	350	3 ½
8000 - 60000	135	444	356	350	3 ½

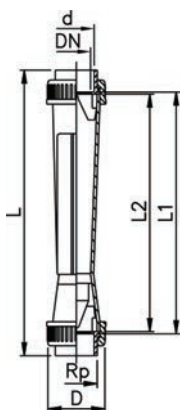


Short version Float in PVDF without magnet With solvent cement sockets PVC-U metric

Model:

- Union nuts and valve ends in other materials on request

Type	d [mm]	DN [mm]	Scale range [l/h]	Taper tube in Polysulfone O-rings in EPDM Code	Taper tube in PVC-U transp. O-rings in EPDM Code
SK 50	16	10	2.5 - 25	198 801 880	198 803 310
SK 51	16	10	5 - 50	198 801 881	198 803 311
SK 52	16	10	10 - 100	198 801 882	198 803 312
SK 60	20	15	8 - 80	198 801 883	198 803 313
SK 61	20	15	15 - 150	198 801 884	198 803 314
SK 62	20	15	20 - 200	198 801 885	198 803 315
SK 70	32	25	15 - 150	198 801 886	198 803 316
SK 71	32	25	30 - 300	198 801 887	198 803 317
SK 72	32	25	50 - 500	198 801 888	198 803 318
SK 73	32	25	100 - 1000	198 801 889	198 803 319



Type	D [mm]	L [mm]	L1 [mm]	L2 [mm]	Rp [inch]
SK 50	35	199	171	165	3/8
SK 51	35	199	171	165	3/8
SK 52	35	199	171	165	3/8
SK 60	43	223	191	185	1/2
SK 61	43	223	191	185	1/2
SK 62	43	223	191	185	1/2
SK 70	60	250	206	200	1
SK 71	60	250	206	200	1
SK 72	60	250	206	200	1
SK 73	60	250	206	200	1

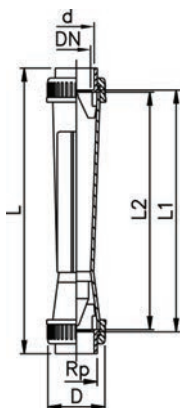


Short version Float in PVDF with magnet With solvent cement sockets PVC-U metric

Model:

- Union nuts and valve ends in other materials on request
- Suitable limit switches see accessories for variable area flow meters

Type	d [mm]	DN [mm]	Scale range [l/h]	Taper tube in Polysulfone O-rings in EPDM Code	Taper tube in PVC-U transp. O-rings in EPDM Code
SK 500	16	10	2.5 - 25	198 801 890	198 803 320
SK 510	16	10	5 - 50	198 801 891	198 803 321
SK 520	16	10	10 - 100	198 801 892	198 803 322
SK 600	20	15	8 - 80	198 801 893	198 803 323
SK 610	20	15	15 - 150	198 801 894	198 803 324
SK 620	20	15	20 - 200	198 801 895	198 803 325
SK 700	32	25	15 - 150	198 801 896	198 803 326
SK 710	32	25	30 - 300	198 801 897	198 803 327
SK 720	32	25	50 - 500	198 801 898	198 803 328
SK 730	32	25	100 - 1000	198 801 899	198 803 329

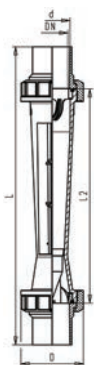


Type	D [mm]	L [mm]	L1 [mm]	L2 [mm]	Rp [inch]
SK 500	35	199	171	165	3/8
SK 510	35	199	171	165	3/8
SK 520	35	199	171	165	3/8
SK 600	43	223	191	185	1/2
SK 610	43	223	191	185	1/2
SK 620	43	223	191	185	1/2
SK 700	60	250	206	200	1
SK 710	60	250	206	200	1
SK 720	60	250	206	200	1
SK 730	60	250	206	200	1



Special version PVDF-HP Float in PTFE without magnet With fusion spigots BCF/IR

Type	d [mm]	DN [mm]	Scale range [l/h]	Scale range [gal/min]	Taper tube in Polysulfone O-rings in FPM Code
SK 70	32	25	68 - 204	0.3-0.9	198 807 209
SK 71	32	25	90 - 295	0.4-1.3	198 807 210
SK 73	32	25	136 - 795	0.6-3.5	198 807 202
SK 20	50	40	568 - 2273	2.5-10.0	198 807 203
SK 21	50	40	909 - 4091	4.0-18.0	198 807 204
SK 30	63	50	1000 - 8142	4.4-36.0	198 807 205
SK 31	63	50	1000 - 9091	4.4-40.0	198 807 206
SK 40	75	65	1848 - 11364	8.0-50.0	198 807 207
SK 41	75	65	2273 - 16364	10.0-72.0	198 807 208



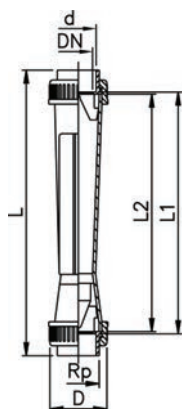
Type	D [mm]	L [mm]	L1 [mm]	L2 [mm]	Rp [inch]
SK 70	60	318		200	1
SK 71	60	318		200	1
SK 73	60	318		200	1
SK 20	83	466		335	1 ½
SK 21	83	466		335	1 ½
SK 30	103	472		335	2
SK 31	103	472		335	2
SK 40	122	495		335	2 ½
SK 41	122	495		335	2 ½

Special version PVDF Float in PVDF (red) without magnet

Dimension L and L1 only valid for socket connection
Dimension L2 describes taper tube length



Type	d [mm]	DN [mm]	Scale range [l/h]	Taper tube in PVDF O-rings in FPM fusion socket Code	Taper tube in PVDF O-rings in FPM IR fusion spigot Code
SK 10	32	25	50 - 500	198 806 466	198 803 905
SK 11	32	25	100 - 1000	198 806 467	198 803 906
SK 20	50	40	200 - 2000	198 806 468	198 803 907
SK 21	50	40	300 - 3000	198 806 469	198 803 908
SK 30	63	50	600 - 6000	198 806 470	198 803 909
SK 31	63	50	1200 - 12000	198 806 471	198 803 910
SK 40	75	65	2000 - 20000	-	198 803 911
SK 41	75	65	3000 - 30000	-	198 803 912



Type	D [mm]	L [mm]	L (IR-SS) [mm]	L1 [mm]	L2 [mm]	Rp [inch]
SK 10	60	385	443	341	335	1
SK 11	60	385	443	341	335	1
SK 20	83	403	459	341	335	1 ½
SK 21	83	403	459	341	335	1 ½
SK 30	103	417	461	339	335	2
SK 31	103	417	461	339	335	2
SK 40	122	429	453	341	335	2 ½
SK 41	122	429	453	341	335	2 ½

Accessories

Limit contacts

Variable area flow meters from George Fischer are equipped with two dovetail shafts. For external electrical monitoring, these can be used for fitting magnetically actuated limit contacts.

Function of the limit contact (GK)



The limit contact serves to monitor externally the limited flow values and can be adjusted to any flow value on the corresponding scale. The magnet built into the float closes or opens a reed contact in the limit contact. This is a bistable switching function because the switching status remains when the float is taken from the contact.

Note: When subsequently mounting limit contacts, mind that you have to replace the standard float with a magnetic float.

The limit contacts GK10/ GK11 are only suitable for the VAFM type 335/ 350 as well as the short version of the existing range. The same contact type can not be used for monitoring both the min. and max. levels (GK 10min / GK11 max).

Assembly instructions contacts

1. Replace the float with a magnetic float.
2. Position the limit contact on the dovetail shaft of the VAFM.
3. Tighten fastening screw.

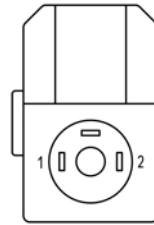
Mode of operation of contacts

Position of float in relation to limit contacts:

	Top	Bottom
max. contact (GK11)	closed	open
min. contact (GK10)	open	closed

The contacts remain in these positions, even if the float leaves the contact concerned. When the float moves back to the desired position, the corresponding contact is deactivated.

Technical data to contacts



Connection: Standard plug DIN 40050
 Contact fitted: Reed contact
 Mode of protection: IP 65
 Max. voltage: 230 V
 Max. continuous current: 0.2 A
 Peak switch-on current: 0.5 A



For use with inductive loads, use a relay to protect the contacts

4-20 mA Sensor Type GK 15

Description

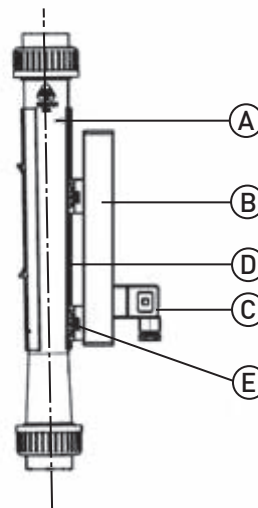
The Sensor GK15 is developed from the measurement sensor GK05. Other than the old model, no reed-sensors are used for the production of the GK15, but a special and new developed electronic system with microprocessor and sensors. The sensor provides an output signal of 4 - 20 mA, according to the level setting of the magnetic float in the flow meter. This signal could be used by a SPS to control processes or to show the precise flow-rate on an external display.

Caution

Since the resolution of the scales differs in the settings, the sensor is programmed individually for each measurement range ex-works.

Therefore, you need to identify your required measurement range when you place the order.

Function elements GK 15



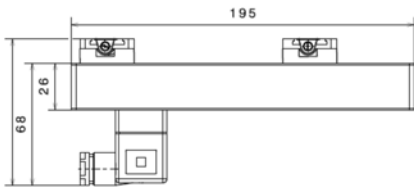
- A: GF Flow meter M335 / M350 with magnet float
- B: Sensor GK15
- C: Cable plug
- D: Dove tail
- E: Clamping screws, for the sensor adjustment and the attachment

Assembly instructions GK 15

1. Position the sensor on the dove tail guide of the flow meter.
2. Adjust the notch on the sensor to the 50 % mark on the scale (see picture).
3. Tighten the clamping screws.
4. Take off the plug and wire it according description (see electrical connection).

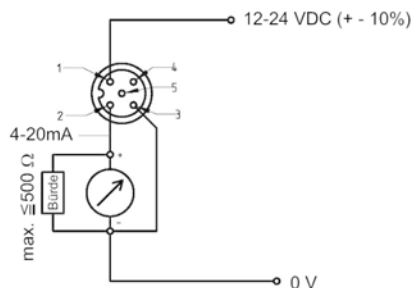
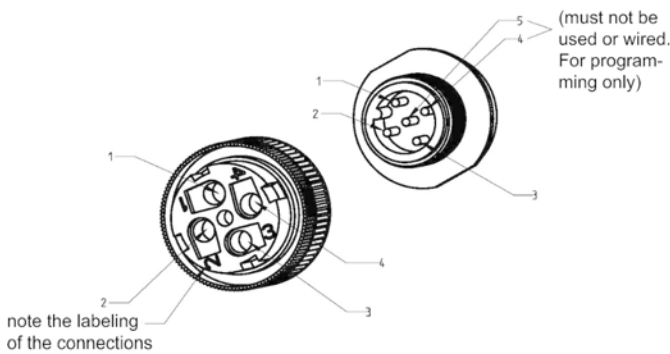


Dimensions



Technical data to sensor GK 15

Wiring diagram of the measurement sensor Z60

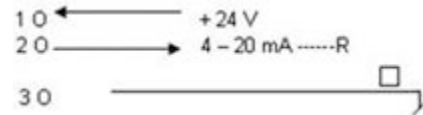


Technical data

Supply voltage:	12-24 VDC (+ - 10%)
Current consumption:	<math>< 50 \text{ mA}</math>
Load resistor:	Min. 0 max. 500Ω
Current output:	4-20 mA (3 wire)
Safety class:	IP65
Ambient temperature:	0 °C to +50 °C
Connection:	Plug DIN 43650
Measurement accuracy:	<math>< 1\%</math>

Electrical connection

Pin1: Supply voltage 12-24 V
 Pin2: Output signal 4-20 mA
 Pin3: 0 V



Pin4: must not be used or wired. For programming only.

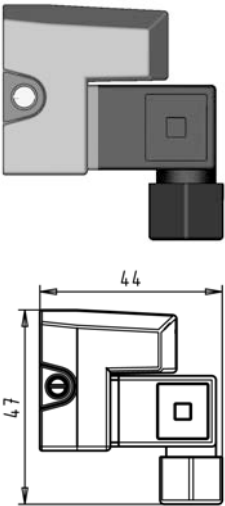
Pin5: must not be used or wired. For programming only.

4-20 mA sensor For type 335 and type 350



Type	d [mm]	DN [mm]	Corresponds to water scale [l/h]	Code
GK 15	32	25	50-500	198 335 962
GK 15	32	25	100-1000	198 335 963
GK 15	40	32	150-1500	198 335 964
GK 15	40	32	250-2500	198 335 965
GK 15	50	40	200-2000	198 335 966
GK 15	50	40	300-3000	198 335 967
GK 15	50	40	600-6000	198 335 968
GK 15	63	50	600-6000	198 335 969
GK 15	63	50	1000-10000	198 335 991
GK 15	63	50	1500-15000	198 335 992
GK 15	75	65	2000-20000	198 335 993
GK 15	75	65	3000-30000	198 335 994
GK 15	75	65	8000-60000	198 335 995

Limit contacts GK10/GK11 For type 335/350 and short version



Type	Code
GK10 (min.)	198 335 960
GK11 (max.)	198 335 961

Special scale for type 335/350 l/h

d [mm]	DN [mm]	Scale range [l/h]	Code
32	25	50-500	198 335 861
32	25	100-1000	198 335 862
40	32	150-1500	198 335 863
40	32	250-2500	198 335 864
50	40	200-2000	198 335 865
50	40	300-3000	198 335 866
50	40	600-6000	198 335 867
63	50	600-6000	198 335 868
63	50	1000-10000	198 335 869
63	50	1500-15000	198 335 870
75	65	2000-20000	198 335 871
75	65	3000-30000	198 335 872
75	65	8000-60000	198 335 873

Special scale for type 335/350 % for H2O

d [mm]	DN [mm]	Scale range	Corresponds to water scale [l/h]	Code
32	25	10-100 %	50-500	198 335 084
32	25	10-100 %	100-1000	198 335 083
40	32	10-100 %	150-1500	198 335 069
40	32	10-100 %	250-2500	198 335 068
50	40	10-100 %	200-2000	198 335 054
50	40	10-100 %	300-3000	198 335 053
50	40	10-100 %	600-6000	198 335 039
63	50	10-100 %	600-6000	198 335 038
63	50	10-100 %	1000-10000	198 335 037
63	50	10-100 %	1500-15000	198 335 036
75	65	10-100 %	2000-20000	198 335 035
75	65	10-100 %	3000-30000	198 335 034
75	65	13.3-100 %	8000-60000	198 335 033

Special scale for type 335/350 m³/h

d [mm]	DN [mm]	Scale range [m ³ /h]	Corresponds to water scale [l/h]	Code
32	25	0.05 - 0.5	50 - 500	198 335 655
32	25	0.1 - 1	100 - 1000	198 335 656
40	32	0.15 - 1.5	150 - 1500	198 335 657
40	32	0.25 - 2.5	250 - 2500	198 335 658
50	40	0.2 - 2.0	200 - 2000	198 335 659
50	40	0.3 - 3	300 - 3000	198 335 660
50	40	0.6 - 6	600 - 6000	198 335 661
63	50	0.6 - 6	600 - 6000	198 335 662
63	50	1 - 10	1000 - 10000	198 335 663
63	50	1.5 - 15	1500 - 15000	198 335 664
75	65	2 - 20	2000 - 20000	198 335 665
75	65	3 - 30	3000 - 30000	198 335 666
75	65	8 - 60	8000 - 60000	198 335 667

Special scale for type 335/350 Imp. GPM

d [mm]	DN [mm]	Scale range [gal/min]	Corresponds to water scale [l/h]	Code
32	25	0,183 - 1,83	50-500	198 335 670
32	25	0,366 - 3,66	100-1000	198 335 671
40	32	0,55 - 5,5	150-1500	198 335 672
40	32	0,916 - 9,16	250-2500	198 335 673
50	40	0,733 - 7,33	200-2000	198 335 674
50	40	1,09 - 10,9	300-3000	198 335 675
50	40	2,19 - 21,9	600-6000	198 335 676
63	50	2,2 - 22	600-6000	198 335 677
63	50	3,66 - 36,6	1000-10000	198 335 678
63	50	5,49 - 54,9	1500-15000	198 335 679
75	65	7,32 - 73,2	2000-20000	198 335 680
75	65	10,98 - 109,8	3000-30000	198 335 681
75	65	29,28 - 219,6	8000-60000	198 335 682

Special scale for type 335/350 US GPM

d [mm]	DN [mm]	Scale range [gal/min]	Corresponds to water scale [l/h]	Code
32	25	0.22 - 2.2	50 - 500	198 335 685
32	25	0.44 - 4.4	100 - 1000	198 335 686
40	32	0.66 - 6.6	150 - 1500	198 335 687
40	32	1.1 - 11	250 - 2500	198 335 688
50	40	0.88 - 8.8	200 - 2000	198 335 689
50	40	1.32 - 13.2	300 - 3000	198 335 690
50	40	2.64 - 26.4	600 - 6000	198 335 691
63	50	2.64 - 26.4	600 - 6000	198 335 692
63	50	4.40 - 44.02	1000 - 10000	198 335 693
63	50	6.60 - 66.04	1500 - 15000	198 335 694
75	65	8.80 - 88	2000 - 20000	198 335 695
75	65	13.20 - 132	3000 - 30000	198 335 696
75	65	35.2 - 264	8000 - 60000	198 335 697

Special scale for type 335/350 Air/0bar/Nm³/h

d [mm]	DN [mm]	Scale range [m ³ /h]	Corresponds to water scale [l/h]	Code
32	25	1.5 - 14	50 - 500	198 350 655
32	25	2.5 - 29	100 - 1000	198 350 656
40	32	4 - 45	150 - 1500	198 350 657
40	32	7 - 79	250 - 2500	198 350 658
50	40	6 - 58	200 - 2000	198 350 659
50	40	9 - 108	300 - 3000	198 350 660
50	40	17 - 174	600 - 6000	198 350 661
63	50	17 - 175	600 - 6000	198 350 662
63	50	29 - 301	1000 - 10000	198 350 663
63	50	53 - 405	1500 - 15000	198 350 664
75	65	55 - 545	2000 - 20000	198 350 665
75	65	80 - 758	3000 - 30000	198 350 666
75	65	-	8000 - 60000	198 350 667

Special scale for type 335/350 HCl 30-33% l/h

d [mm]	DN [mm]	Scale range [l/h]	Corresponds to water scale [l/h]	Code
32	25	20 - 405	50-500	198 350 670
32	25	55 - 866	100-1000	198 350 671
40	32	90 - 1340	150-1500	198 350 672
40	32	165 - 2310	250-2500	198 350 673
50	40	115 - 1660	200-2000	198 350 674
50	40	190 - 3050	300-3000	198 350 675
50	40	420 - 4900	600-6000	198 350 676
63	50	430 - 5090	600-6000	198 350 677
63	50	750 - 9460	1000-10000	198 350 678
63	50	1415 - 11570	1500-15000	198 350 679
75	65	1500 - 17300	2000-20000	198 350 680
75	65	2175 - 24120	3000-30000	198 350 681
75	65	-	8000-60000	198 350 682

Special scale for type 335/350 NaOH 30% l/h

d [mm]	DN [mm]	Scale range [l/h]	Corresponds to water scale [l/h]	Code
32	25	4 - 226	50-500	198 350 685
32	25	15 - 600	100-1000	198 350 686
40	32	30 - 970	150-1500	198 350 687
40	32	70 - 1800	250-2500	198 350 688
50	40	35 - 1240	200-2000	198 350 689
50	40	75 - 2370	300-3000	198 350 690
50	40	230 - 4000	600-6000	198 350 691
63	50	240 - 4700	600-6000	198 350 692
63	50	475 - 7340	1000-10000	198 350 693
63	50	1030 - 10330	1500-15000	198 350 694
75	65	915 - 11720	2000-20000	198 350 695
75	65	1195 - 16040	3000-30000	198 350 696
75	65	-	8000-60000	198 350 697

Special scale for type 335/350 NaOH 50% l/h

d [mm]	DN [mm]	Scale range [l/h]	Corresponds to water scale [l/h]	Code
32	25	1 - 55	50-500	198 350 755
32	25	3 - 192	100-1000	198 350 756
40	32	6 - 365	150-1500	198 350 757
40	32	15 - 770	250-2500	198 350 758
50	40	8 - 520	200-2000	198 350 759
50	40	15 - 1170	300-3000	198 350 760
50	40	50 - 2270	600-6000	198 350 761
63	50	55 - 2300	600-6000	198 350 762
63	50	140 - 4340	1000-10000	198 350 763
63	50	420 - 5820	1500-15000	198 350 764
75	65	245 - 7590	2000-20000	198 350 765
75	65	400 - 11120	3000-30000	198 350 766
75	65	-	8000-60000	198 350 767

Special scale for short version Water l/h

Type	Scale range [l/h]	Code	
SK 50 / 500	2.5 - 25.0	198 801 386	
SK 51 / 510	5.0 - 50.0	198 801 387	
SK 52 / 520	10.0 - 100.0	198 801 388	
SK 60 / 600	8.0 - 80.0	198 801 389	
SK 61 / 610	15.0 - 150.0	198 801 390	
SK 62 / 620	20.0 - 200.0	198 801 391	
SK 70 / 700	15.0 - 150.0	198 801 392	
SK 71 / 710	30.0 - 300.0	198 801 393	
SK 72 / 720	50.0 - 500.0	198 801 394	
SK 73 / 730	100.0 - 1000.0	198 801 395	

Special scale for short version US GPM

Type	Scale range [gal/min]	Code	
SK 50 / 500	0,01 - 0,11	198 801 961	
SK 51 / 510	0,02 - 0,22	198 801 962	
SK 52 / 520	0,04 - 0,44	198 801 963	
SK 60 / 600	0,03 - 0,35	198 801 964	
SK 61 / 610	0,06 - 0,66	198 801 965	
SK 62 / 620	0,08 - 0,88	198 801 966	
SK 70 / 700	0,06 - 0,66	198 801 967	
SK 71 / 710	0,13 - 1,32	198 801 968	
SK 72 / 720	0,22 - 2,20	198 801 969	
SK 73 / 730	0,44 - 4,40	198 801 970	

Special scale for short version Air/0bar/Nm³/h

Type	Scale range [m ³ /h]	Code	
SK 50 / 500	0,5 - 0,95	198 801 308	
SK 51 / 510	0,5 - 1,9	198 801 309	
SK 52 / 520	0,8 - 3,0	198 801 310	
SK 60 / 600	0,6 - 2,8	198 801 311	
SK 61 / 610	1,4 - 5,6	198 801 312	
SK 62 / 620	1,5 - 7,0	198 801 313	
SK 70 / 700	1,0 - 6,5	198 801 314	
SK 71 / 710	1,5 - 11,0	198 801 315	
SK 72 / 720	3,0 - 18,0	198 801 316	
SK 73 / 730	6,0 - 30,0	198 801 317	

Special scale for short version HCI 30 - 33% l/h

Type	Scale range [l/h]	Code	
SK 50 / 500	2,5 - 20	198 806 511	
SK 51 / 510	5 - 40	198 806 512	
SK 52 / 520	10 - 85	198 806 513	
SK 60 / 600	8 - 70	198 806 514	
SK 61 / 610	15 - 125	198 806 515	
SK 62 / 620	20 - 170	198 806 516	
SK 70 / 700	5 - 125	198 806 517	
SK 71 / 710	30 - 260	198 806 518	
SK 72 / 720	50 - 425	198 806 519	
SK 73 / 730	100 - 850	198 806 520	

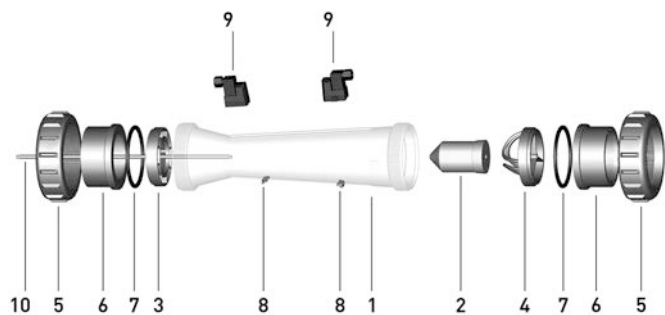
Special scale for short version NaOH 30% I/h

Type	Scale range [l/h]	Code	
SK 50 / 500	0.2 - 5	198 806 521	
SK 51 / 510	1 - 14	198 806 522	
SK 52 / 520	3 - 35	198 806 523	
SK 60 / 600	2 - 23	198 806 524	
SK 61 / 610	3 - 55	198 806 525	
SK 62 / 620	5 - 80	198 806 526	
SK 70 / 700	3 - 55	198 806 527	
SK 71 / 710	6 - 130	198 806 528	
SK 72 / 720	10 - 250	198 806 529	
SK 73 / 730	40 - 590	198 806 530	

Special scale for short version NaOH 50% I/h

Type	Scale range [l/h]	Code	
SK 60 / 600	0,2 - 3,5	198 806 531	
SK 61 / 610	0,5 - 10	198 806 532	
SK 62 / 620	0,5 - 16	198 806 533	
SK 70 / 700	0,5 - 11	198 806 534	
SK 71 / 710	1 - 33	198 806 535	
SK 72 / 720	2 - 80	198 806 536	
SK 73 / 730	10 - 220	198 806 537	

Spare Parts for Type 335/350

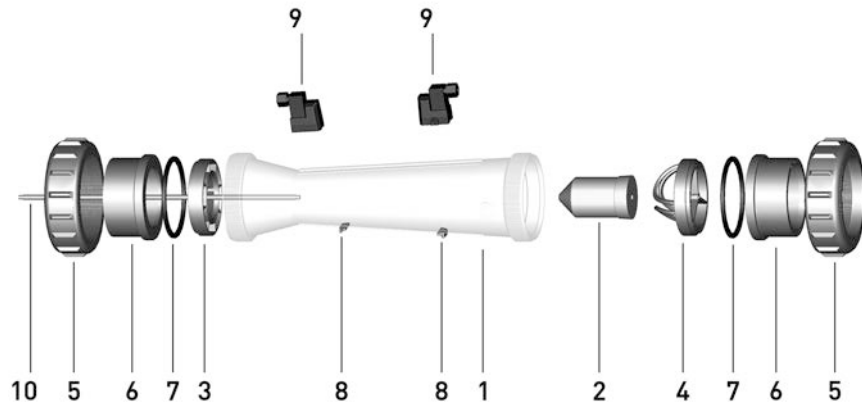


Pos.	Item	Quantity
1	Taper tube	1
2	Float	1
3	Bottom insert	1
4	Top insert	1
5	Union nut	2
6	Union end	2
7	O-Ring	2
8	Flow value indicator	2
9*	Limit contact	2
10**	Guiding rod	1

* optional

** only for DN50 (1500-15000 l/h) and DN65
(all metering ranges)

Variable area flow meter type 335



Taper tube with water scale (1)

- PVC-U transparent



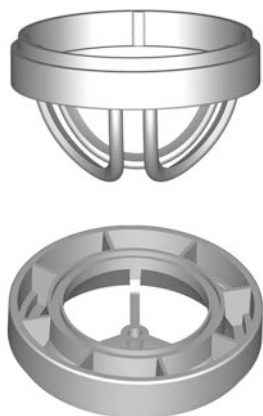
Scale range [l/h]	d [mm]	Inch	DN [mm]	PVC-U transparent Code	Polyamid Code	Polysulfon Code
50 - 500	32	1	25	198 335 055	198 335 070	198 335 085
100 - 1000	32	1	25	198 335 056	198 335 071	198 335 086
150 - 1500	40	1 ¼	32	198 335 057	198 335 072	198 335 087
250 - 2500	40	1 ¼	32	198 335 058	198 335 073	198 335 088
200 - 2000	50	1 ½	40	198 335 059	198 335 074	198 335 089
300 - 3000	50	1 ½	40	198 335 060	198 335 075	198 335 090
600 - 6000	50	1 ½	40	198 335 061	198 335 076	198 335 091
600 - 6000	63	2	50	198335062*	198 335 077	198 335 092
1000 - 10000	63	2	50	198335063*	198 335 078	198 335 093
1500 - 15000	63	2	50	198335064*	198 335 079	198 335 094
2000 - 20000	75	2 ½	65	198335065*	198 335 080	198 335 095
3000 - 30000	75	2 ½	65	198335066*	198 335 081	198 335 096
8000 - 60000	75	2 ½	65	198335067*	198 335 082	198 335 097

Taper tube without scale (1)

- PVC-U transparent



Scale range [l/h]	d [mm]	Inch	DN [mm]	PVC-U transparent Code	Polyamid Code	Polysulfon Code
50 - 500	32	1	25	198 335 255	198 335 270	198 335 285
100 - 1000	32	1	25	198 335 256	198 335 271	198 335 286
150 - 1500	40	1 ¼	32	198 335 257	198 335 272	198 335 287
250 - 2500	40	1 ¼	32	198 335 258	198 335 273	198 335 288
200 - 2000	50	1 ½	40	198 335 259	198 335 274	198 335 289
300 - 3000	50	1 ½	40	198 335 260	198 335 275	198 335 290
600 - 6000	50	1 ½	40	198 335 261	198 335 276	198 335 291
600 - 6000	63	2	50	198335262*	198 335 277	198 335 292
1000 - 10000	63	2	50	198335263*	198 335 278	198 335 293
1500 - 15000	63	2	50	198335264*	198 335 279	198 335 294
2000 - 20000	75	2 ½	65	198335265*	198 335 280	198 335 295
3000 - 30000	75	2 ½	65	198335266*	198 335 281	198 335 296
8000 - 60000	75	2 ½	65	198335267*	198 335 282	198 335 297



Insert PVDF (3,4)

Scale range [l/h]	d [mm]	Inch	DN [mm]	top (4) Code	bottom (3) Code	bottom (3) for PEEK guiding rod Code
50 - 500	32	1	25	198 335 970	198 335 977	
100 - 1000	32	1	25	198 335 970	198 335 977	
150 - 1500	40	1 ¼	32	198 335 971	198 335 978	
250 - 2500	40	1 ¼	32	198 335 971	198 335 978	
200 - 2000	50	1 ½	40	198 335 972	198 335 979	
300 - 3000	50	1 ½	40	198 335 972	198 335 979	
600 - 6000	50	1 ½	40	198 335 972	198 335 979	
600 - 6000	63	2	50	198 335 973	198 335 980	
1000 - 10000	63	2	50	198 335 973	198 335 980	
1500 - 15000	63	2	50	198 335 974		198 335 982
2000 - 20000	75	2 ½	65	198 335 975		198 335 981
3000 - 30000	75	2 ½	65	198 335 975		198 335 981
8000 - 60000	75	2 ½	65	198 335 975		198 335 981

Scale range [l/h]	d [mm]	Inch	DN [mm]	bottom (3) for PVDF/SS guiding rod Code
50 - 500	32	1	25	
100 - 1000	32	1	25	
150 - 1500	40	1 ¼	32	
250 - 2500	40	1 ¼	32	
200 - 2000	50	1 ½	40	
300 - 3000	50	1 ½	40	
600 - 6000	50	1 ½	40	
600 - 6000	63	2	50	
1000 - 10000	63	2	50	
1500 - 15000	63	2	50	198 335 893
2000 - 20000	75	2 ½	65	198 335 894
3000 - 30000	75	2 ½	65	198 335 894
8000 - 60000	75	2 ½	65	198 335 894



Float PVDF (2)

Scale range [l/h]	d [mm]	Inch	DN [mm]	Without magnet Code	With magnet (bistabil) Code
50 - 500	32	1	25	198 335 455	198 335 470
100 - 1000	32	1	25	198 335 455	198 335 470
150 - 1500	40	1 ¼	32	198 335 455	198 335 470
250 - 2500	40	1 ¼	32	198 335 455	198 335 470
200 - 2000	50	1 ½	40	198 335 456	198 335 471
300 - 3000	50	1 ½	40	198 335 457	198 335 471
600 - 6000	50	1 ½	40	198 335 457	198 335 471
600 - 6000	63	2	50	198 335 457	198 335 471
1000 - 10000	63	2	50	198 335 457	198 335 471
1500 - 15000	63	2	50	198 335 458	198 335 472
2000 - 20000	75	2 ½	65	198 335 459	198 335 473
3000 - 30000	75	2 ½	65	198 335 459	198 335 473
8000 - 60000	75	2 ½	65	198 335 460	198 335 474

Guiding rod (10)

Model:

- Only for DN50 (1'500 - 15'000 l/h) and DN65 (all metering ranges)

Scale range [l/h]	d [mm]	Inch	DN [mm]	Peek Code	Stainless steel Code	PVDF Code
1500 - 15000	63	2	50	198 335 985	198 335 098	198 335 984
2000 - 20000	75	2 ½	65	198 335 985	198 335 098	198 335 984
3000 - 30000	75	2 ½	65	198 335 985	198 335 098	198 335 984
8000 - 80000	75	2 ½	65	198 335 985	198 335 098	198 335 984



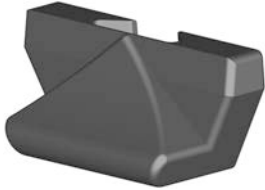


Insert guiding rod PVDF (for 10)

Model:

- Only for DN50 (1'500 - 15'000 l/h) and DN65 (all metering ranges)

Scale range [l/h]	d [mm]	Inch	DN [mm]	for PEEK Code	for PVDF/SS Code
1500 - 15000	63	2	50	198 335 986	198 335 953
2000 - 20000	75	2 ½	65	198 335 987	198 335 954
3000 - 30000	75	2 ½	65	198 335 987	198 335 954
8000 - 60000	75	2 ½	65	198 335 987	198 335 954

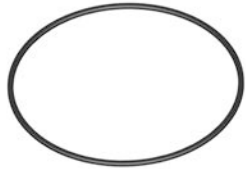


Flow value indicator PS (8)

Model:

- For all dimensions type 335/350

d [mm]	Inch	DN [mm]	Flow value indicator Code
32	1	25	198 335 990
40	1 ¼	32	198 335 990
50	1 ½	40	198 335 990
63	2	50	198 335 990
75	2 ½	65	198 335 990



O-rings (7)

d [mm]	Inch	DN [mm]	EPDM Code	FPM Code
32	1	25	748 410 008	749 410 008
40	1 ¼	32	748 410 009	749 410 009
50	1 ½	40	748 410 010	749 410 010
63	2	50	748 410 011	749 410 011
75	2 ½	65	748 410 014	749 410 014



Union nut (5)

Union nut not useable for the special version with taper tube in PVDF

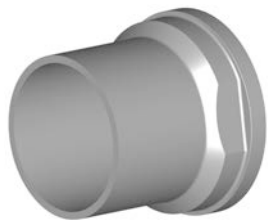
d [mm]	Inch	DN [mm]	PVC-U Code	PVC-C Code	ABS Code	PP-H Code	PVDF Code
32	1	25	721 690 008	723 690 008	729 690 408	727 690 408	735 690 408
40	1 ¼	32	721 690 009	723 690 009	729 690 409	727 690 409	735 690 409
50	1 ½	40	721 690 010	723 690 010	729 690 410	727 690 410	735 690 410
63	2	50	721 690 011	723 690 011	729 690 411	727 690 411	735 690 411
75	2 ½	65	198 806 429	-	-	198 806 421	198 806 422



Union end / Socket (6)

For DN65 PVDF only spigot

d [mm]	Inch	DN [mm]	PVC-U Code	PVC-C Code	ABS Code	PP-H Code	PVDF Code
32	1	25	721 600 108	723 600 108	729 600 108	727 600 108	735 600 108
40	1 ¼	32	721 600 109	723 600 109	729 600 109	727 600 109	735 600 109
50	1 ½	40	721 600 110	723 600 110	729 600 110	727 600 110	735 600 110
63	2	50	721 600 111	723 600 111	729 600 111	727 600 111	735 600 111
75	2 ½	65	721 600 112	700 253 867	700 246 112	700 253 866	-



Union end / Spigot (6)

d [mm]	Inch	DN [mm]	PP-H Code	PVDF Code	
32	1	25	727 608 508	735 608 608	
40	1 ¼	32	727 608 509	735 608 609	
50	1 ½	40	727 608 510	735 608 610	
63	2	50	727 608 511	735 608 611	
75	2 ½	65	700 256 401	175 483 013	



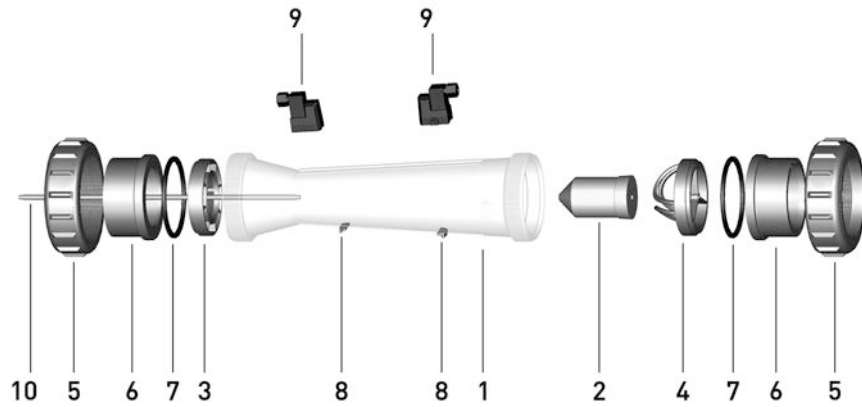
Exchange kit

Model:

- Exchange kit consisting of: guiding rod, insert guiding rod and insert bottom
- Only for DN50 (1'500 - 15'000 l/h) and DN65 (all metering ranges)

Scale range [l/h]	d [mm]	Inch	DN [mm]	Code	
1500 - 15000	63	2	50	198 335 895	
2000 - 20000	75	2 ½	65	198 335 896	
3000 - 30000	75	2 ½	65	198 335 896	
8000 - 80000	75	2 ½	65	198 335 896	

Variable area flow meter type 350



Taper tube with water scale (1)

- PVC-U transparent



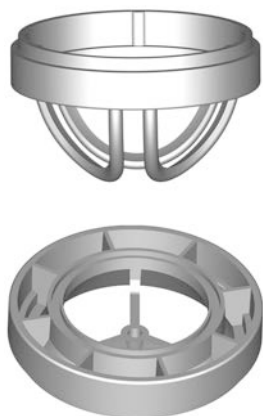
Scale range [l/h]	d [mm]	Inch	DN [mm]	PVC-U transparent Code	Polyamid Code	Polysulfon Code
50 - 500	32	1	25	198 350 055	198 350 070	198 350 085
100 - 1000	32	1	25	198 350 056	198 350 071	198 350 086
150 - 1500	40	1 ¼	32	198 350 057	198 350 072	198 350 087
250 - 2500	40	1 ¼	32	198 350 058	198 350 073	198 350 088
200 - 2000	50	1 ½	40	198 350 059	198 350 074	198 350 089
300 - 3000	50	1 ½	40	198 350 060	198 350 075	198 350 090
600 - 6000	50	1 ½	40	198 350 061	198 350 076	198 350 091
600 - 6000	63	2	50	198350062*	198 350 077	198 350 092
1000 - 10000	63	2	50	198350063*	198 350 078	198 350 093
1500 - 15000	63	2	50	198350064*	198 350 079	198 350 094
2000 - 20000	75	2 ½	65	198350065*	198 350 080	198 350 095
3000 - 30000	75	2 ½	65	198350066*	198 350 081	198 350 096
8000 - 60000	75	2 ½	65	198350067*	198 350 082	198 350 097

Taper tube without scale (1)

- PVC-U transparent



Scale range [l/h]	d [mm]	Inch	DN [mm]	PVC-U transparent Code	Polyamid Code	Polysulfon Code
50 - 500	32	1	25	198 350 255	198 350 270	198 350 285
100 - 1000	32	1	25	198 350 256	198 350 271	198 350 286
150 - 1500	40	1 ¼	32	198 350 257	198 350 272	198 350 287
250 - 2500	40	1 ¼	32	198 350 258	198 350 273	198 350 288
200 - 2000	50	1 ½	40	198 350 259	198 350 274	198 350 289
300 - 3000	50	1 ½	40	198 350 260	198 350 275	198 350 290
600 - 6000	50	1 ½	40	198 350 261	198 350 276	198 350 291
600 - 6000	63	2	50	198350262*	198 350 277	198 350 292
1000 - 10000	63	2	50	198350263*	198 350 278	198 350 293
1500 - 15000	63	2	50	198350264*	198 350 279	198 350 294
2000 - 20000	75	2 ½	65	198350265*	198 350 280	198 350 295
3000 - 30000	75	2 ½	65	198350266*	198 350 281	198 350 296
8000 - 60000	75	2 ½	65	198350267*	198 350 282	198 350 297



Insert PVDF (3,4)

Scale range [l/h]	d [mm]	Inch	DN [mm]	top (4) Code	bottom (3) Code	bottom (3) for PEEK guiding rod Code
50 - 500	32	1	25	198 335 970	198 335 977	
100 - 1000	32	1	25	198 335 970	198 335 977	
150 - 1500	40	1 ¼	32	198 335 971	198 335 978	
250 - 2500	40	1 ¼	32	198 335 971	198 335 978	
200 - 2000	50	1 ½	40	198 335 972	198 335 979	
300 - 3000	50	1 ½	40	198 335 972	198 335 979	
600 - 6000	50	1 ½	40	198 335 972	198 335 979	
600 - 6000	63	2	50	198 335 973	198 335 980	
1000 - 10000	63	2	50	198 335 973	198 335 980	
1500 - 15000	63	2	50	198 335 974		198 335 982
2000 - 20000	75	2 ½	65	198 335 975		198 335 981
3000 - 30000	75	2 ½	65	198 335 975		198 335 981
8000 - 60000	75	2 ½	65	198 335 975		198 335 981

Scale range [l/h]	d [mm]	Inch	DN [mm]	bottom (3) for PVDF/SS guiding rod Code
50 - 500	32	1	25	
100 - 1000	32	1	25	
150 - 1500	40	1 ¼	32	
250 - 2500	40	1 ¼	32	
200 - 2000	50	1 ½	40	
300 - 3000	50	1 ½	40	
600 - 6000	50	1 ½	40	
600 - 6000	63	2	50	
1000 - 10000	63	2	50	
1500 - 15000	63	2	50	198 335 893
2000 - 20000	75	2 ½	65	198 335 894
3000 - 30000	75	2 ½	65	198 335 894
8000 - 60000	75	2 ½	65	198 335 894



Float PVDF (2)

Scale range [l/h]	d [mm]	Inch	DN [mm]	Without magnet Code	With magnet Code
50 - 500	32	1	25	198 335 455	198 335 470
100 - 1000	32	1	25	198 335 455	198 335 470
150 - 1500	40	1 ¼	32	198 335 455	198 335 470
250 - 2500	40	1 ¼	32	198 335 455	198 335 470
200 - 2000	50	1 ½	40	198 335 456	198 335 471
300 - 3000	50	1 ½	40	198 335 457	198 335 471
600 - 6000	50	1 ½	40	198 335 457	198 335 471
600 - 6000	63	2	50	198 335 457	198 335 471
1000 - 10000	63	2	50	198 335 457	198 335 471
1500 - 15000	63	2	50	198 335 458	198 335 472
2000 - 20000	75	2 ½	65	198 335 459	198 335 473
3000 - 30000	75	2 ½	65	198 335 459	198 335 473
8000 - 60000	75	2 ½	65	198 335 460	198 335 474

Guiding rod (10)

Model:

- Only for DN50 (1'500 - 15'000 l/h) and DN65 (all metering ranges)

Scale range [l/h]	d [mm]	Inch	DN [mm]	Peek Code	Stainless steel Code	PVDF Code
1500 - 15000	63	2	50	198 350 980	198 350 098	198 350 981
2000 - 20000	75	2 ½	65	198 350 980	198 350 098	198 350 981
3000 - 30000	75	2 ½	65	198 350 980	198 350 098	198 350 981
8000 - 60000	75	2 ½	65	198 350 980	198 350 098	198 350 981

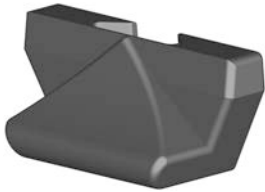


Insert guiding rod PVDF (for 10)

Model:

- Only for DN50 (1'500 - 15'000 l/h) and DN65 (all metering ranges)

Scale range [l/h]	d [mm]	Inch	DN [mm]	for PEEK Code	for PVDF/SS Code
1500 - 15000	63	2	50	198 335 986	198 335 953
2000 - 20000	75	2 ½	65	198 335 987	198 335 954
3000 - 30000	75	2 ½	65	198 335 987	198 335 955
8000 - 60000	75	2 ½	65	198 335 987	198 335 956

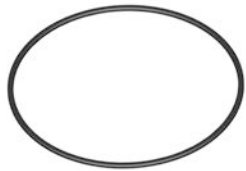


Flow value indicator PS (8)

Model:

- For all dimensions type 335/350

d [mm]	Inch	DN [mm]	Flow value indicator Code
32	1	25	198 335 990
40	1 ¼	32	198 335 990
50	1 ½	40	198 335 990
63	2	50	198 335 990
75	2 ½	65	198 335 990



O-rings (7)

d [mm]	Inch	DN [mm]	EPDM Code	FPM Code
32	1	25	748 410 008	749 410 008
40	1 ¼	32	748 410 009	749 410 009
50	1 ½	40	748 410 010	749 410 010
63	2	50	748 410 011	749 410 011
75	2 ½	65	748 410 014	749 410 014



Union nut (5)

Union nut not useable for the special version with taper tube in PVDF

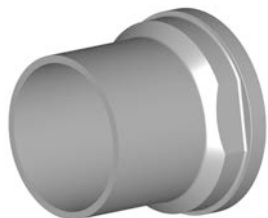
d [mm]	Inch	DN [mm]	PVC-U Code	PVC-C Code	ABS Code	PP-H Code	PVDF Code
32	1	25	721 690 008	723 690 008	729 690 408	727 690 408	735 690 408
40	1 ¼	32	721 690 009	723 690 009	729 690 409	727 690 409	735 690 409
50	1 ½	40	721 690 010	723 690 010	729 690 410	727 690 410	735 690 410
63	2	50	721 690 011	723 690 011	729 690 411	727 690 411	735 690 411
75	2 ½	65	198 806 429	-	-	198 806 421	198 806 422



Union end / Socket (6)

For DN65 PVDF only spigot

d [mm]	Inch	DN [mm]	PVC-U Code	PVC-C Code	ABS Code	PP-H Code	PVDF Code
32	1	25	721 600 108	723 600 108	729 600 108	727 600 108	735 600 108
40	1 ¼	32	721 600 109	723 600 109	729 600 109	727 600 109	735 600 109
50	1 ½	40	721 600 110	723 600 110	729 600 110	727 600 110	735 600 110
63	2	50	721 600 111	723 600 111	729 600 111	727 600 111	735 600 111
75	2 ½	65	721 600 112	700 253 867	700 246 112	700 253 866	-



Union end / Spigot (6)

d [mm]	Inch	DN [mm]	PP-H Code	PVDF Code
32	1	25	727 608 508	735 608 608
40	1 ¼	32	727 608 509	735 608 609
50	1 ½	40	727 608 510	735 608 610
63	2	50	727 608 511	735 608 611
75	2 ½	65	700 256 401	175 483 013



Exchange kit

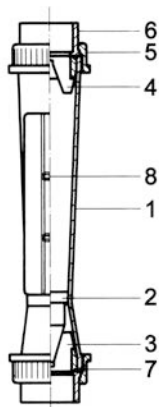
Model:

- Exchange kit consisting of: guiding rod, insert guiding rod and insert bottom
- Only for DN50 (1'500 - 15'000 l/h) and DN65 (all metering ranges)

Scale range [l/h]	d [mm]	Inch	DN [mm]	Code
1500 - 15000	63	2	50	198 350 895
2000 - 20000	75	2 ½	65	198 350 896
3000 - 30000	75	2 ½	65	198 350 896
8000 - 80000	75	2 ½	65	198 350 896

Technical information for type SK

Pos.	Item	Quantity
1	Taper tube	1
2	Float	1
3	Bottom insert	1
4	Top insert	1
5	Union nut	2
6	Union end	2
7	O-Ring	2
8	Flow value indicator	2



Pressure loss for type SK

Type	Loss (mm Wp)
SK 10/100	242
SK 11/110	242
SK 12/120	242
SK 18/180	255
SK 19/190	255
SK 20/200	255
SK 21/210	255
SK 29/290	254
SK 30/300	305
SK 31/310	305

Type	Loss (mm Wp)
SK 40/400	312
SK 41/410	312
SK 50/500	44
SK 51/510	44
SK 52/520	44

Type	Loss (mm Wp)
SK 60/600	83
SK 61/610	83
SK 62/620	83
SK 70/700	46
SK 71/710	46
SK 72/720	46
SK 73/730	46

**Spare part for variable area flow meter
SK50-SK73/SK500-SK730**

Short version taper tube Polysulfone

Type	d [mm]	DN [mm]	Code
SK 50 / 500	16	10	198 801 341
SK 51 / 510	16	10	198 801 342
SK 52 / 520	16	10	198 801 343
SK 60 / 600	20	15	198 801 449
SK 61 / 610	20	15	198 801 450
SK 62 / 620	20	15	198 801 451
SK 70 / 700	32	25	198 801 445
SK 71 / 710	32	25	198 801 338
SK 72 / 720	32	25	198 801 339
SK 73 / 730	32	25	198 801 340

Short version taper tube PVC-U transparent

Type	d [mm]	DN [mm]	Code
SK 50 / 500	16	10	198 803 790
SK 51 / 510	16	10	198 803 791
SK 52 / 520	16	10	198 803 792
SK 60 / 600	20	15	198 803 793
SK 61 / 610	20	15	198 803 794
SK 62 / 620	20	15	198 803 795
SK 70 / 700	32	25	198 803 796
SK 71 / 710	32	25	198 803 797
SK 72 / 720	32	25	198 803 798
SK 73 / 730	32	25	198 803 799

**Short version float PVDF
Without magnet**

Type	d [mm]	DN [mm]	Code
SK 50 / 51 / 52	16	10	198 806 219
SK 60 / 61 / 62	20	15	198 806 220
SK 70 / 71 / 72 / 73	32	25	198 806 221

**Short version float PVDF
With magnet bistable**

Type	d [mm]	DN [mm]	Code
SK 500 / 510 / 520	16	10	198 806 222
SK 600 / 610 / 620	20	15	198 806 223
SK 700 / 710 / 720 / 730	32	25	198 806 224

**Short version float PTFE
Without magnet**

Type	d [mm]	DN [mm]	Code
SK 73	32	25	198 807 166

Short version top insert PVDF

Type	d [mm]	DN [mm]	Code
SK 50 / 500; 51 / 510; 52 / 520	16	10	198 807 188
SK 60 / 600; 61 / 610; 62 / 620	20	15	198 807 187
SK 70 / 700; 71 / 710; 72 / 720; 73 / 730	32	25	198 807 182

Adjustment Factors

Temperature-adjustment table for gases

		Calibrating temperature (°C)								
		0	10	20	30	40	50	60	70	80
Operating temperature (°C)	0	1	1.018	1.035	1.052	1.07	1.088	1.103	1.12	1.135
	10	0.983	1	1.018	1.035	1.051	1.068	1.084	1.1	1.116
	20	0.965	0.983	1	1.015	1.032	1.05	1.065	1.08	1.096
	30	0.948	0.966	0.983	1	1.015	1.031	1.047	1.062	1.08
	40	0.933	0.95	0.967	0.984	1	1.015	1.031	1.046	1.061
	50	0.92	0.936	0.953	0.968	0.984	1	1.015	1.03	1.045
	60	0.905	0.922	0.938	0.953	0.968	0.985	1	1.015	1.03
	70	0.892	0.907	0.924	0.94	0.955	0.97	0.985	1	1.014
	80	0.88	0.895	0.912	0.927	0.943	0.965	0.971	0.987	1

Use this chart to adjust the displayed values for gaseous media of your flow meter, if the operating temperature differs from the underlying temperature (20°C) at calibrating time.

Example:

Calibrating temperature is 20°C and operating temperature is 70°C. Take the factor 0.924 from the calibrating temperature column for 20°C and the operating temperature line 70°C. The values shown by the flow meter have to be multiplied by this factor so the actual flow volume at an operating temperature of 70°C can be calculated. You get the factor with the following formula:

$$\sqrt{\frac{T_c + 237}{T_o + 237}} = \sqrt{\frac{20 + 237}{70 + 237}} = 0.924$$

T_c = calibrating temperature

T_o = operating temperature

Note:

Operating temperature > calibrating temperature:

Factor < 1

Operating temperature < calibrating temperature:

Factor > 1

Density-adjustment table for gases

		Gases for calibration					
operating gasses	P [kg/Nm ³]						
		air	oxygen	nitrogen	ammonia	acetylene	chlorine
air	1.293	1.000	1.050	0.983	0.772	0.953	1.580
oxygen	1.429	0.953	1.000	0.935	0.735	0.906	1.500
nitrogen	1.251	1.017	1.069	1.000	0.786	0.968	1.604
ammonia	0.771	1.295	1.360	1.272	1.000	1.232	2.040
acetylene	1.171	1.050	1.105	1.033	0.812	1.000	1.660
chlorine	3.220	0.633	0.665	0.623	0.490	0.603	1.000
hydrogen	0.089	3.810	4.010	3.750	2.940	3.630	6.020
carbon dioxide	1.977	0.808	0.850	0.796	0.625	0.770	1.275
sulphur dioxide	2.926	0.668	0.698	0.654	0.514	0.633	1.050
coal gas	0.550	1.532	1.610	1.506	1.185	1.460	2.420
propane	2.020	0.800	0.841	0.786	0.618	0.762	1.262

		Gases for calibration				
operating gasses	P [kg/Nm ³]	hydrogen	carbon dioxide	sulphur dioxide	coal gas	propane
air	1.293	0.262	1.238	1.495	0.652	1.250
oxygen	1.429	0.250	1.175	1.430	0.621	1.189
nitrogen	1.251	0.267	1.255	1.530	0.664	1.272
ammonia	0.771	0.340	1.600	1.946	0.845	1.620
acetylene	1.171	0.276	1.300	1.580	0.685	1.314
chlorine	3.220	0.166	0.785	0.953	0.413	0.792
hydrogen	0.089	1.000	4.715	5.725	2.480	4.760
carbon dioxide	1.977	0.212	1.000	1.216	0.528	1.010
sulphur dioxide	2.926	0.174	0.823	1.000	0.433	0.830
coal gas	0.550	0.403	1.895	2.306	1.000	1.915
propane	2.020	0.210	0.990	1.205	0.522	1.000

Use this chart to adjust the displayed values for gaseous media of your flow meter, if the specific media gravity differs from the underlying specific gravity (1.293 kg/Nm³ (air)) at calibrating time.

Example:

Specific gravity at calibrating time is 1.293 kg/Nm³ (air). The media hydrogen with its specific gravity of 0.089 kg/Nm³ should be measured. From the column hydrogen, in line seven for operating gas, you get the factor 3.81. The values shown by the flow meter have to be multiplied by this factor so the actual flow volume at a specific gravity of 0.089 kg/Nm³ can be calculated.

Note:

Operating gas density > calibrating gas density:

Factor < 1

Operating gas density < calibrating gas density:

Factor > 1

Density-adjustment table for liquids

		Calibrating solution (kg/l) float material PVDF							
		0.5	0.6	0.7	0.8	0.9	1	1.1	1.2
Density of operating liquid	0.5	1	1.105	1.2	1.29	1.38	1.464	1.545	1.63
	0.6	0.903	1	1.084	1.168	1.248	1.32	1.397	1.475
	0.7	0.834	0.923	1	1.078	1.15	1.22	1.29	1.36
	0.8	0.775	0.856	0.928	1	1.066	1.133	1.196	1.262
	0.9	0.724	0.802	0.87	0.937	1	1.06	1.12	1.18
	1.0	0.683	0.755	0.818	0.883	0.94	1	1.055	1.114
	1.1	0.645	0.715	0.771	0.836	0.892	0.946	1	1.055
	1.2	0.613	0.678	0.735	0.793	0.845	0.896	0.947	1
	1.3	0.585	0.648	0.7	0.755	0.807	0.857	0.903	0.955
	1.4	0.56	0.62	0.671	0.723	0.773	0.82	0.865	0.913
	1.5	0.537	0.595	0.645	0.695	0.743	0.787	0.832	0.877
	1.6	0.515	0.57	0.618	0.665	0.712	0.755	0.798	0.84
	1.7	0.496	0.548	0.595	0.641	0.685	0.726	0.767	0.81
1.8	0.478	0.538	0.574	0.617	0.66	0.7	0.74	0.78	
1.9	0.462	0.511	0.555	0.597	0.638	0.676	0.715	0.755	
2.0	0.446	0.495	0.536	0.578	0.617	0.654	0.691	0.73	

		Calibrating solution (kg/l) float material PVDF							
		1.3	1.4	1.5	1.6	1.7	1.8	1.9	2
Density of operating liquid	0.5	1.71	1.785	1.86	0.94	2.02	2.09	2.16	2.24
	0.6	1.545	1.615	1.68	0.754	1.82	1.89	1.95	2.02
	0.7	1.425	1.49	1.55	1.615	1.68	1.745	18	1.865
	0.8	1.325	1.38	1.43	1.5	1.56	1.62	1.67	1.73
	0.9	1.24	1.295	1.35	1.405	1.46	1.515	1.57	1.62
	1.0	1.17	1.22	1.27	1.325	1.375	1.43	1.48	1.53
	1.1	1.106	1.155	1.2	1.255	1.3	1.35	1.4	1.45
	1.2	1.05	1.095	1.14	1.19	1.235	1.28	1.33	1.37
	1.3	1	1.044	1.088	1.134	1.176	1.22	1.264	1.305
	1.4	0.958	1	1.042	1.085	1.13	1.17	1.21	1.25
	1.5	0.92	0.96	1	1.042	1.084	1.125	1.16	1.205
	1.6	0.882	0.92	0.958	1	1.04	1.08	1.11	1.15
	1.7	0.848	0.886	0.923	0.961	1	1.038	1.072	1.11
	1.8	0.817	0.853	0.888	0.926	0.962	1	1.032	1.07
	1.9	0.79	0.826	0.858	0.897	0.93	0.968	1	1.034
2.0	0.798	0.798	0.83	0.867	0.9	0.935	0.965	1	

Use this chart to adjust the displayed values for liquid media of your flow meter, if the specific media gravity (1.0 kg/l (water)) differs from the underlying specific gravity at calibrating time.

Example:

Specific gravity at calibration 1.0 kg/l. The liquid media with a specific gravity of 0.9 kg/l is to be measured. If you have a calibrating solution of 1.0 kg/l you take in line five the factor 1.06. The values shown by the flow meter have to be multiplied by this factor so the actual flow volume at a specific gravity of 0.9 can be calculated.

Note:

New density is higher: factor <1
New density is lower : factor >1