



FEATURES

- Configurable input for RTD, TC, mV, V, mA, Resistance and Potentiometer
- Galvanic isolation at 2000 Vac
- 4 ÷ 20 mA configurable output on current loop
- Configurable by Personal Computer
- High accuracy
- On-field reconfigurable
- EMC compliant – CE mark
- Suitable for DIN rail mounting in compliance with EN-50022 and EN50035

GENERAL DESCRIPTION

The transmitter DAT 4035 is able to execute many functions such as : measure and linearisation of the temperature characteristic of RTDs sensors, conversion of a linear resistance variation, conversion of a standard active current signal, conversion of a voltage signal even coming from a potentiometer connected on its input. Moreover the DAT 4035 is able to measure and linearise the standard thermocouples with internal cold junction compensation. The measured values are converted in a 4÷20 mA current signal. The device guarantees high accuracy and performances stability both in time and in temperature.

The programming of the DAT 4035 is made by a Personal Computer using the software PROSOFT, developed by DATEXEL, that runs under the operative system "Windows™". By use of PROSOFT, it is possible to configure the transmitter to interface it with the most used sensors.

In case of sensors with a no-standard output characteristic, it is possible to execute, via software, a "Custom" linearisation (per step) to obtain an output linearised signal.

For Resistance and RTDs sensors it is possible to program the cable compensation with 3 or 4 wires; for Thermocouples it is possible to program the Cold Junction Compensation (CJC) as internal or external.

It is possible to set the minimum and maximum values of input and output ranges in any point of the scale, keeping the minimum span shown in the table below. Moreover it is available the option of alarm for signal interruption (burn-out) that allows to set the output value as high or low out of scale.

The terminals of the current signal on input side must be only connected to active current loop.

The 2000 Vac isolation between input and power supply/output eliminates the effects of all ground loops eventually existing and allows the use of the transmitter in heavy environmental conditions found in industrial applications.

It is housed in a plastic enclosure of 12.5 mm thickness suitable for DIN rail mounting in compliance with EN-50022 and EN-50035 standards.

USER INSTRUCTIONS

The DAT 4035 must be powered by a direct voltage between 10 to 32 V and applied to the terminals P(+V) and O (-V) or to the terminals N(+V) and M (-V).

The 4÷20 mA output signal is measurable in the power loop as shown in the section "Output/Power supply connections"; Rload is the input impedance of instruments on the current loop; to obtain a correct measure, the value of Rload will be calculated as function of the power supply value (see section "Technical specification – Load characteristic").

The input connections must be made as shown in the section "Input connections".

To configure, calibrate and install the transmitter refer to sections " DAT4035: configuration and calibration" and "Installation Instructions".

TECHNICAL SPECIFICATIONS (Typical at 25 °C and in nominal conditions)

Input type	Min	Max	Min. span		
TC(*) CJC int./ext.				Input calibration (1)	POWER SUPPLY Supply voltage 10 .. 32 Vdc Reverse polarity protection 60 Vdc max Load characteristic - Rload (maximum load value on current loop per power supply value)
J	-200°C	1200°C	100 °C	RTD	
K	-200°C	1370°C	100 °C	Low res.	
S	-50°C	1760°C	400 °C	High res.	
R	-50°C	1760°C	400 °C	mV, TC	
B	400°C	1820°C	400 °C	Volt	
E	-200°C	1000°C	100 °C	mA	
T	-200°C	400°C	100 °C	Output calibration	
N	-200°C	1300°C	100 °C	Current	
RTD(*) 2,3,4 wires				Input impedance	
Pt100	-200°C	850°C	50°C	TC, mV	
Pt1000	-200°C	200°C	50°C	Volt	
Ni100	-60°C	180°C	50°C	Current	
Ni1000	-60°C	150°C	50°C	Linearity (1)	
Voltage				TC	
mV	-400 mV	+400 mV	2 mV	RTD	
mV	-100 mV	+700 mV	2 mV	Line resistance influence	
Volt	- 10 V	+10 V	500 mV	TC, mV	
Potentiometer (Nominal value)	0 Ω	200 Ω	10%	RTD 3 wires	
	200 Ω	500 Ω	10%	RTD 4 wires	
	0.5 KΩ	50 KΩ	10%	RTD excitation current	
RES. 2,3,4 wires				Typical	
Low	0 Ω	300 Ω	10 Ω	CJC comp.	
High	0 Ω	2000 Ω	200 Ω	± 0.5°C	
Current				Thermal drift (1)	
mA	-10 mA	+24 mA	2 mA	Full scale	
				CJC	
Output type	Min	Max	Min. span	± 0.01% / °C	
Direct current	4 mA	20 mA	4 mA	± 0.01% / °C	
Reverse current	20 mA	4 mA	4 mA	Burn-out values	
				Max. value	
				Min. value	
				Response time (10÷ 90%)	
				about 400 ms	

(1) referred to input Span (difference between max. and min. values)

(*) For temperature sensors it is possible to set the input range also in F degrees; to made the conversion use the formula:
°F = (°C*9/5)+32)

ISOLATION	Input – Power supply/Out 2000 Vac, 50 Hz, 1 min.
ENVIRONMENTAL CONDITIONS	
Operative Temperature	-40°C .. +85°C
Storage Temperature	-40°C.. +85°C
Humidity (not condensed)	0 .. 90 %
Maximum Altitude	2000 m
Installation	Indoor
Category of installation	II
Pollution Degree	2
MECHANICAL SPECIFICATIONS	
Material	Self-extinguish plastic
IP Code	IP20
Wiring	wires with diameter 0.8÷2.1 mm ² /AWG 14-18
Tightening Torque	0.8 N m
Mounting	in compliance with DIN rail standard EN-50022 and EN-50035
Weight	about 90 g.
EMC (for industrial environments)	
Immunity	EN 61000-6-2
Emission	EN 61000-6-4

DAT 4035: CONFIGURATION AND CALIBRATION

Warning: during these operations the device must always be powered.

- CONFIGURATION

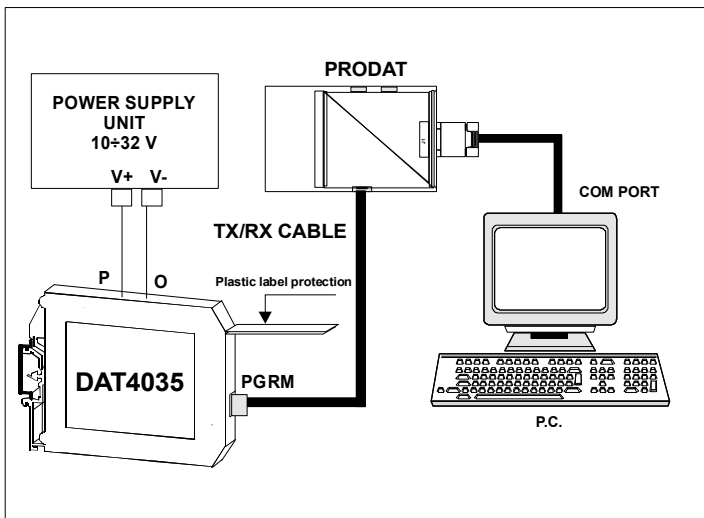
- 1) Power-on the DAT4035 by a direct voltage between 10 ÷ 32 V or (only to configure) by a 9 V battery .
- 2) Open the plastic label protection on front side of DAT 4035.
- 3) Connect the interface PRODAT to the Personal Computer and to device (connector PGRM - see section " DAT4035: PROGRAMMING").
- 4) Run the software PROSOFT.
- 5) Set the parameters of configuration .
- 6) Program the device.

- CALIBRATION CONTROL

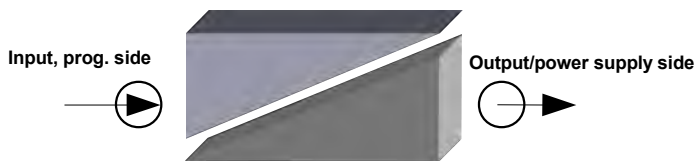
With software PROSOFT running:

- 1) Connect on the input a calibrator setted with minimum and maximum values referred to the electric signal or to the temperature sensor to measure.
- 2) Set the calibrator at the minimum value.
- 3) Verify that the DAT 4035 provides on output the minimum setted value.
- 4) Set the calibrator at the maximum value.
- 5) Verify that the DAT 4035 provides on output the maximum setted value.
- 6) In case of regulation of value obtained in the step 3 and 5, use the ZERO and SPAN regulators of software PROSOFT. The variation introduced from these regulators must be calculated as percentage of the input range .
- 7) Program the device with the new parameters .

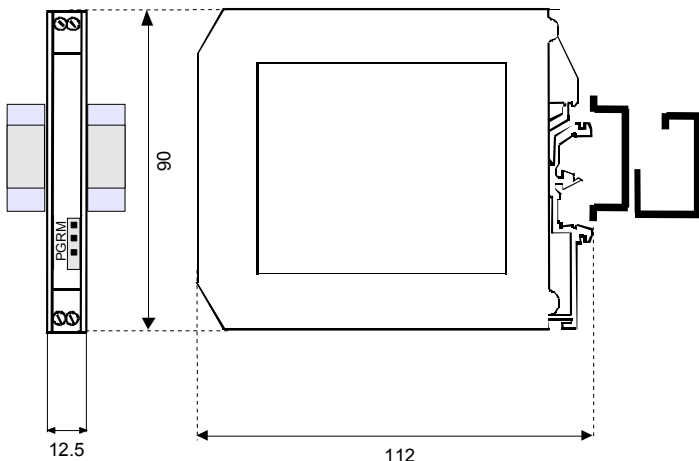
DAT 4035: PROGRAMMING



ISOLATION STRUCTURE



DIMENSIONS (mm) & CONNECTOR PGRM



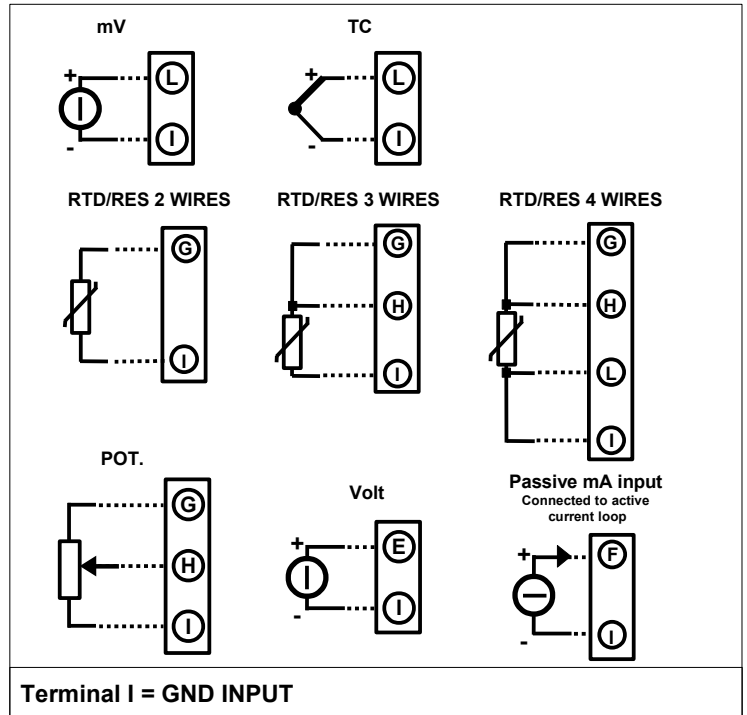
INSTALLATION INSTRUCTIONS

The device DAT 4035 is suitable for DIN rail mounting.

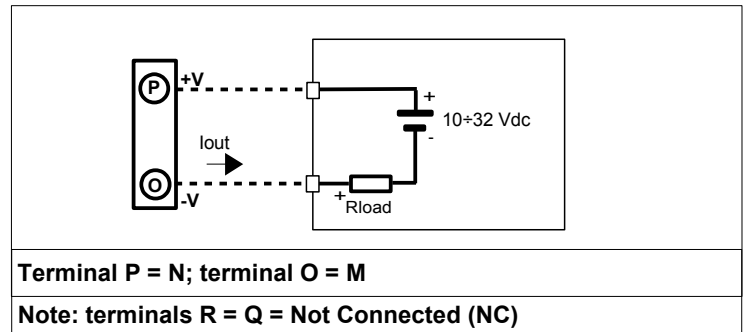
It is necessary to install the device in a place without vibrations; avoid to routing conductors near power signal cables .

DAT4035: CONNECTIONS

INPUT CONNECTIONS



OUTPUT / POWER SUPPLY CONNECTIONS



HOW TO ORDER

The DAT4035 is provided as requested on the Customer's order. Refer to the section "Technical specification" to determine input and output ranges. In case of the configuration is not specified, the parameters must be set by the user.

ORDER CODE EXAMPLE:

