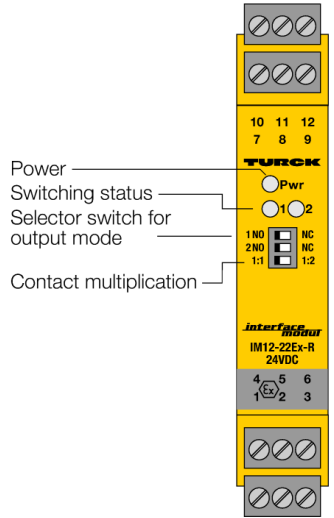
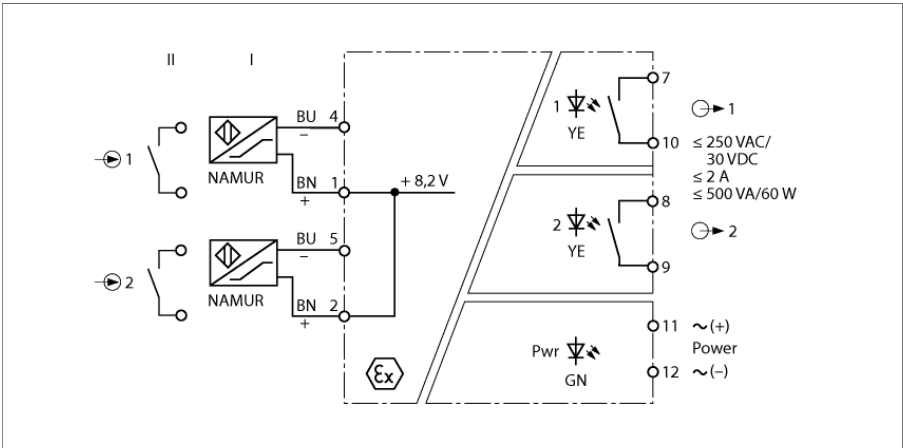


**Isolating switching amplifier
2-channel
IM12-22EX-R/24VDC**



The 2-channel IM12-22EX-R/24VDC isolating switching amplifier is equipped with intrinsically safe input circuits.

Sensors according to EN 60947-5-6 (NAMUR) or potential-free contact transmitters can be connected to the device.

The output circuits feature 2 relays, each with 1 NO contact.

You can toggle between working or closed current, resp. NO or NC mode via three switches at the front. The switching state of channel 1 is thereby transmitted to the outputs 1 and 2.

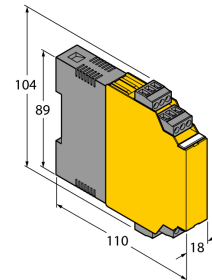
The Pwr LED lights green to indicate operational readiness. LED 1 lights yellow to indicate the switching status of the output.

- ATEX, „FM_{us}“, TR CU
- Output mode adjustable (NO/NC mode)
- Multiplexing of signals possible
- Complete galvanic isolation

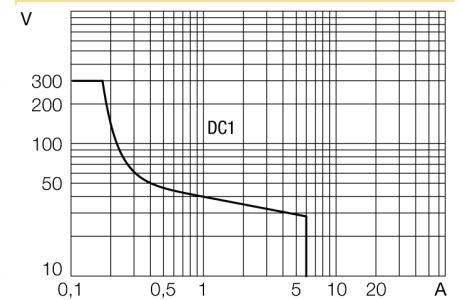
**Isolating switching amplifier
2-channel
IM12-22EX-R/24VDC**

Type designation	IM12-22EX-R/24VDC
Ident no.	7505640
Nominal voltage	24 VDC
Operating voltage range	10...30 VDC
Power consumption	≤ 1.5 W
Input	2-channel or 1-channel with signal doubling
NAMUR	EN-60947-5-6
No-load voltage	8.2 VDC
Short-circuit current	8.2 mA
Input resistance	1 kΩ
Cable resistance	≤ 50 Ω
Switch-on threshold	1.55 mA
Switch-off threshold	1.75 mA
Output circuits (digital)	2 x relays (NO)
Output switching voltage relay	≤ 30 VDC / ≤ 250 VAC
Switching current per output	≤ 2 A
Switching capacity per output	≤ 500 VA/60 W
Switching frequency	≤ 10 Hz
Contact quality	AgNi, 3μ Au
Galvanic isolation	
Test voltage	2.5 kV
Important note	For Ex-applications the values specified in the corresponding Ex certificates (ATEX, IECEx, UL, etc.) apply.
Ex approval acc. to conformity certificate	PTB 00 ATEX 2033
Application area	II (1) G, II (1) D
ignition protection category	[Ex ia Ga] IIC; [Ex ia Da] IIIC
Indication	
Operational readiness	green
Switching state	yellow
Error indication	red
Mechanical Data	
Protection class	IP20
Flammability class acc. to UL 94	V-0
Ambient temperature	-25...+60 °C
Storage temperature	-40...+80 °C
Relative humidity	≤ 95 %
Dimensions	104 x 18 x 110 mm
Weight	143 g
Mounting instructions	DIN rail (NS35) or panel
Housing material	Polycarbonate/ABS
Electrical connection	4 × 3-pin removable terminal blocks, reverse polarity protected, screw connection
Terminal cross-section	1 x 2.5 mm ² / 2 x 1.5 mm ²
Tightening torque	0.5 Nm

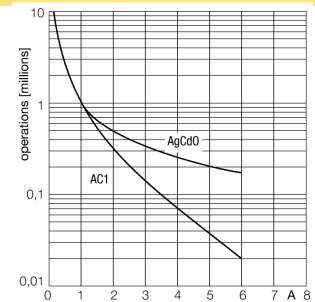
Dimensions



Output relay – Load curve



Output relay – Electrical lifetime



Accessories

Type code	Ident no.	Description
IM-CC-3X2BU/2BK	6900475	Cage clamp terminals for IM modules (Ex-devices with 18 mm overall width); includes: 2 pcs. 3-pin blue terminals and 2 pcs. 3-pin black terminals.

