

COMPACT PRETREATMENT PLANT – ROTARY DRUM SIEVE
REF: PPC-TARO Y PPC-TARO-D

Automatic pre-treatment plant to remove grease and fine solids. Composed of an automatic fine solids screening, [ref: TA-RO](#) and an automatic grease separator, [ref: PSG](#). Two versions are available: sand removal with Air Lift system (**ref: PPC-TARO**) or automatic endless screw for sand removal (**ref: PPC-TARO-D**).

Applications:

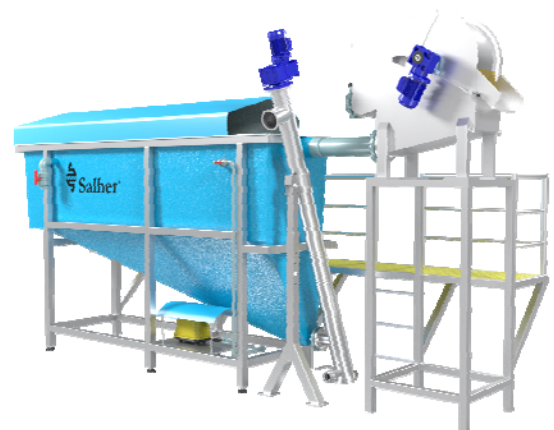
- Filtration or screening of solids through rotary drum sieve. Removal of fine solids with size comprised between 0.25 and 3 mm.
- Removal of sand and coarse solids.
- Removal of oil and grease.

Characteristics:

- Plant for sand and grease removal, **ref: PPC-TARO o PPC-TARO-D**, SALHER brand.
- Composed of:
- Fine solids removal system by automatic screening system, [ref: TA-RO](#), SALHER brand. Manufactured in stainless steel 304, highly erosion-resistant, clean and polished weldings.
 - Grease removal system composed of an automatic grease separator, [ref: PSG](#).
 - System for separation, storage and concentration of sand and coarse solids.
 - System for oil and grease flotation through blower and diffusers grid.
 - Automatic system for oil and grease removal through surface scrapers.
 - Sand removal system (2 possibilities):
 - Air Lift system (**ref: PPC-TARO**)
 - Automatic helical screw sieve for sand removal (**ref: PPC-TARO-D**)



Ref: PPC-TARO-D



Ref: PPC-TARO

1 PRETREATMENT COMPACT PLANT - ROTARY DRUM SIEVE REF: PPC-TARO AND PPC-TARO-D

SCREENING SYSTEM

- Rotary drum sieve with mesh opening from 0.25 to 3 mm with automatic cleaning in screening area through electrovalve and spray nozzles. Possibility to install any of the sieve accessories.

SAND SETTLING SYSTEM

- Tank manufactured in GFRP with a specific design facilitating the settling by gravity of fine solids in the deepest area of the equipment. Oxygen injection system by fine bubbles to favour the oil, grease and floating particles rise.

GREASE SEPARATOR SYSTEM

- Floating removal system through continuous dragging movement of scrapers.

SAND COLLECTION SYSTEM BY AIRLIFT

- Sand removal system based on the Venturi effect, by which a depression inside the pipe is generated, creating a vertical water flow to drag settled sands. Optional: dehydrator type FILSA.

SAND COLLECTION SYSTEM BY ENDLESS SCREW

- Sand removal by highly resistant steel endless screw and AISI 304 stainless steel structure.

NOTES:

- Pretreatment is primarily designed for typical urban wastewater. For industrial discharges or other uses, please consult and wait for use validation.
- Equipments are supplied in disassembled modules for easy transport on standard maritime containers.

MODEL	MAXIMUM FLOW [m ³ /h]	SCREENING SYSTEM	MESH OPENING [mm]	MATERIAL PPC / SIEVE
PPC 1-TA-RO	11.0	TA-RO 300	3	GFRP / AISI 304
PPC 2-TA-RO	22.0	TA-RO 300	3	GFRP / AISI 304
PPC 3-TA-RO	44.0	TA-RO 300	3	GFRP / AISI 304
PPC 4-TA-RO	88.0	TA-RO 600	3	GFRP / AISI 304
PPC 5-TA-RO	130.0	TA-RO 600	3	GFRP / AISI 304
PPC 6-TA-RO	173.0	TA-RO 1200	3	GFRP / AISI 304

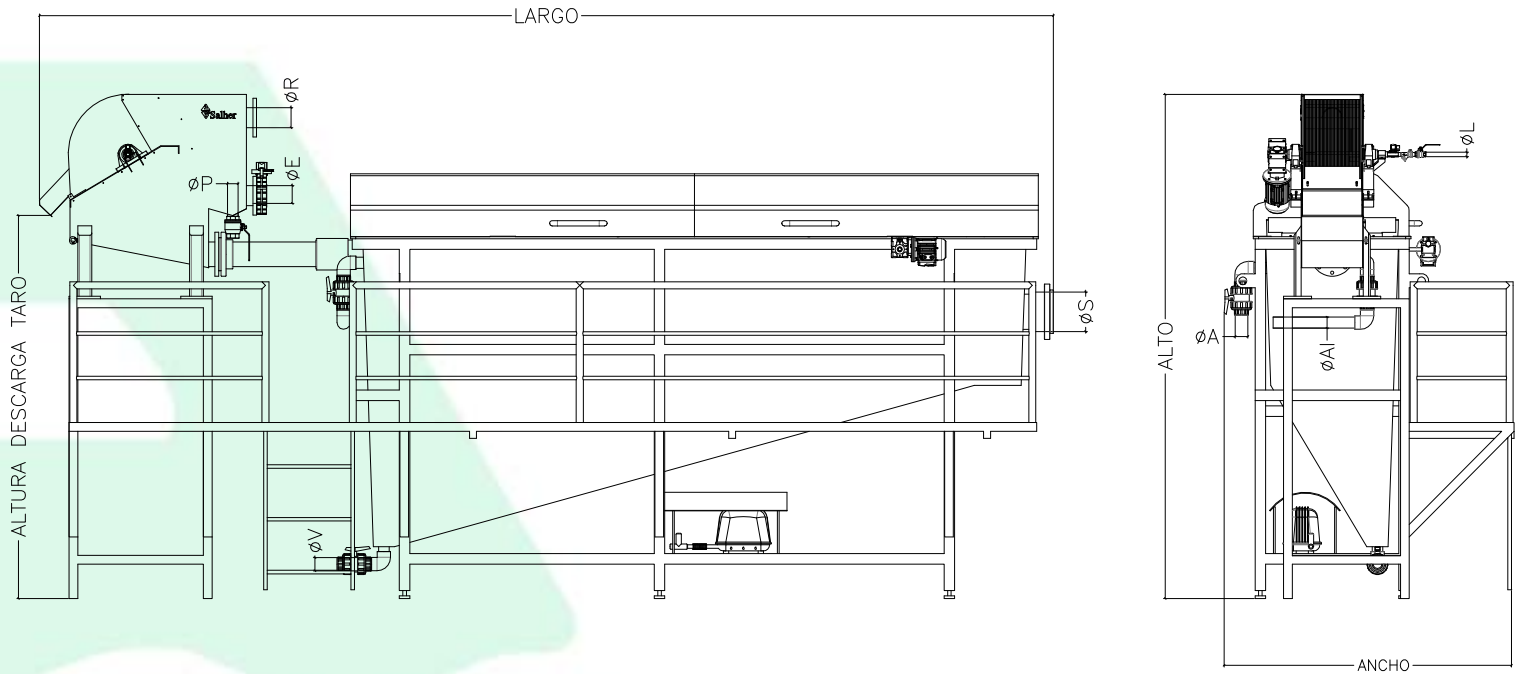
NOTES:

- Maximum flows for urban wastewater.
- Fine solids screening with mesh opening of 6 mm, for different dimensions, please consult Salher.

REF: PPC-TARO

With Air Lift system for sand removal.

TECHNICAL DATA



MODEL	LENGTH [mm]	WIDTH [mm]	HEIGHT [mm]	TARO DISCHARGE HEIGHT [mm]
PPC 1-TA-RO	5510	1720	3020	2300
PPC 2-TA-RO	6010	1720	3020	2300
PPC 3-TA-RO	6550	2120	3020	2300
PPC 4-TA-RO	7670	2120	3020	2300
PPC 5-TA-RO	8790	2120	3050	2350
PPC 6-TA-RO	9190	2320	3050	2350

*All dimensions are in mm

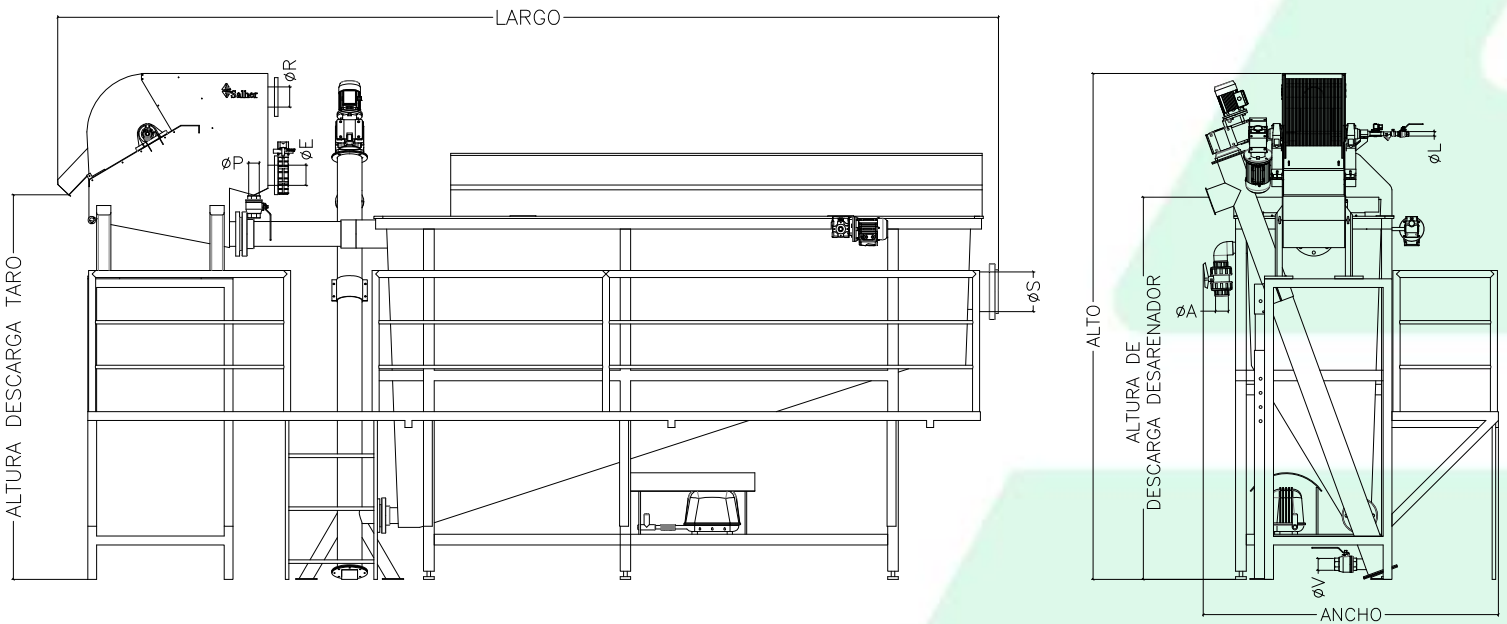
HYDRAULIC CONNECTIONS

MODEL	□E	□R	□P	□S	□V	□A	□L	□AI
PPC 1-TA-RO	DN 100	DN 100	2"	DN 200	2"	2"	¾"	2"
PPC 2-TA-RO	DN 100	DN 100	2"	DN 200	2"	2"	¾"	2"
PPC 3-TA-RO	DN 100	DN 100	2"	DN 200	2"	2"	¾"	2"
PPC 4-TA-RO	DN 150	DN 100	2"	DN 250	2"	2"	¾"	2"
PPC 5-TA-RO	DN 150	DN 100	2"	DN 300	2"	2"	¾"	2"
PPC 6-TA-RO	DN 200	DN 150	2"	DN 300	2"	2"	¾"	2"

REF: PPC-TARO-D

With endless screw for sand removal.

TECHNICAL DATA



MODEL	LENGTH [mm]	WIDTH [mm]	HEIGHT [mm]	TARO DISCHARGE HEIGHT [mm]	HEIGHT OF SAND DISCHARGE [mm]
PPC 1-TA-RO-D	5510	1720	3020	2300	2200
PPC 2-TA-RO-D	6010	1720	3020	2300	2200
PPC 3-TA-RO-D	6550	2120	3020	2300	2200
PPC 4-TA-RO-D	7670	1970	3020	2300	2200
PPC 5-TA-RO-D	8790	2120	3050	2350	2200
PPC 6-TA-RO-D	9190	2320	3050	2350	2200

*All dimensions are in mm

HYDRAULIC CONNECTIONS

MODEL	□E	□R	□P	□S	□V	□A	□L
PPC 1-TA-RO-D	DN 100	DN 100	2"	DN 200	2"	2"	¾"
PPC 2-TA-RO-D	DN 100	DN 100	2"	DN 200	2"	2"	¾"
PPC 3-TA-RO-D	DN 100	DN 100	2"	DN 200	2"	2"	¾"
PPC 4-TA-RO-D	DN 150	DN 100	2"	DN 250	2"	2"	¾"
PPC 5-TA-RO-D	DN 150	DN 100	2"	DN 300	2"	2"	¾"
PPC 6-TA-RO-D	DN 200	DN 150	2"	DN 300	2"	2"	¾"