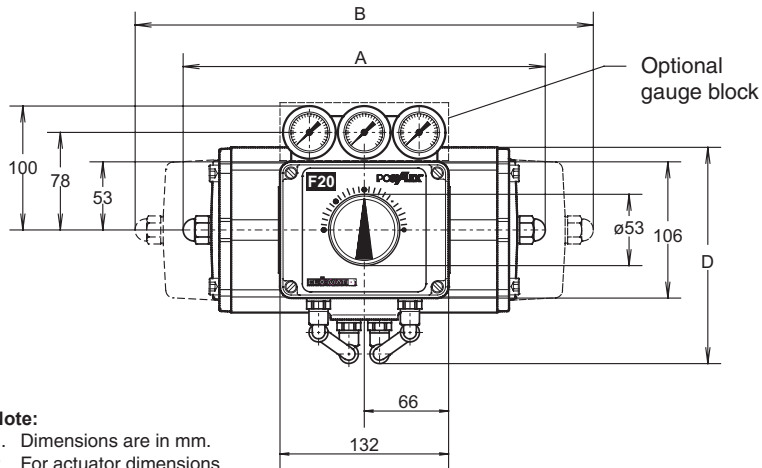


Data sheet

Sheet No.: 3.301.2 Rev. A

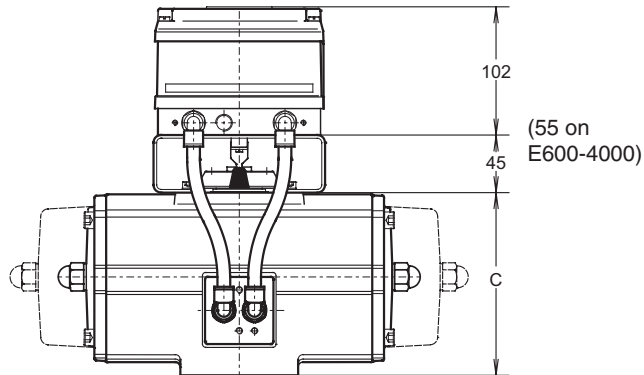
Date: March 2011

EL-O-MATIC ACTUATOR WITH F20 ELECTRO-PNEUMATIC POSITIONER



Note:

1. Dimensions are in mm.
2. For actuator dimensions see data sheets 1.103.xxx



Dim. in mm.	Actuator type										
	E25	E40	E65	E100	E200	E 350	E600	E950	E1600	P2500	P4000
A PD/ED	159	180	199	221	283	305	387	424	516	378	502
B PE/ES	172	204	249	267	360	387	477	517	637	570	834
C	80	93	105	118	143	181	220	259	297	356	380
D	141	141	141	152	172	217	252	277	310	393	425

Description

The F20 is a universal Electro- Pneumatic Positioner, suitable for rotary actuators (single or double acting).

The F20 Positioner operates on the principle of analog electronic comparison. An analog 4-20 mA input signal is used to obtain an accurate position of the actuator.

The F20 is a true 2 wire instrument, with the 4-20 mA signal providing both the controlling signal and power supply for the electronics. An electronic module provides all the usual control characteristics: zero, range and sensitivity are all electronically re-settable using trimmers on the control card.

A comprehensive range of modular control options include gauges, switches and position transmitters. Mounting is to the Industry Standard VDI/VDE 3845 (NAMUR) with the drive coupling spring loaded for zero backlash.

General Specification:

Hysteresis	: 0.6%
Linearity	: 1.0%
Air Flow	: 210 NI/min.(at 6 bar)
Air Consumption	: 5 NI/min. (at 6 bar)
Min. volume actuator	: 0.1 L
Temperature	: -20° to +80°C
Mounting	: VDI/VDE 3845
Air Entry	: G 1/4"
Air Supply	: 1.4 to 8.6 bar.
Electrical signal	: 2 wire :4 to 20 mA : ≈ 8 VDC
Resistance	: 350 Ohm (at 20 mA)
Electrical entry	: M20 x 1.5 (Option 1/2"NPT)
Enclosure	: IP 65

Materials:

Housing	: Aluminium Alloy
Finish	: Polyester powder coated

Media:

- Non-lubricated instrument air, filtered at 25 micron.
- Dew point should be 10°C below environmental temperature.
- Air quality class 3-2-3 accord. to ISO 8573-1.

Modular Control Options:

G2	: Gauge block, for supply and two output pressures
PTF20	: Position transmitter - 2 Wire
S2	: Two Mechanical Switches
IS2	: Two Inductive Switches - 2 Wire (Intrinsically safe)
PNP	: Two Inductive Switches - 3 Wire
POT	: Potentiometer
LT	: Low temperature: -50°C to +80°C.

Factory Option:

Intrinsically safe positioner	II 2 EEx ib IIC T4*
TÜV certificate	: TÜV 10 ATEX 379858
* Tamb =	
- Standard	: -20°C to +60°C @ T4 : -20°C to +40°C @ T6
- Low Temp.	: -50°C to +60°C @ T4 : -50°C to +40°C @ T6

ELMatic™

www.emerson.com/elomatic

Copyright © Emerson. The information in this document is subject to change without notice. Updated data sheets can be obtained from our website www.emerson.com/elomatic or from your nearest Actuation Technologies Center:

America's: +1 281 477 4100 (fax 477 2809) Europe: +36 22 530 950 (fax +36 22 54 37 00) Asia Pacific: +65 650 14 600 (fax +65 626 80 028)



EMERSON™