

# Series VIR-30

Panel meter 72x36 mm Low-Cost



**Model VIR-30-32**

**for process signals**

*Low-cost panel meter for active process signals in mA and Vdc. Small size 72x36 mm and standard 14mm digit height. Reading scalable to engineering units. Instrument readjustable by potentiometers accesible at the rear of the front filter. Multiple power options in AC and DC.*

# Panel Meter VIR-30-32

## Panel meter 72x36mm for process signals

Low-cost panel meters for active process signals in mA and Vdc, with display reading in engineering units..

Instruments with 3 digits, allow to display from -999 up to 999 with decimal point selection. Display reading is scalable to engineering units through span and offset potentiometers accessible at the rear of the front filter. Input range selection through internal solder jumpers.

Excellent digit readability, with high quality leds and anti-reflexive front filter. Easy panel fixation. Connections with plug-in screw terminals on the rear of the instrument.



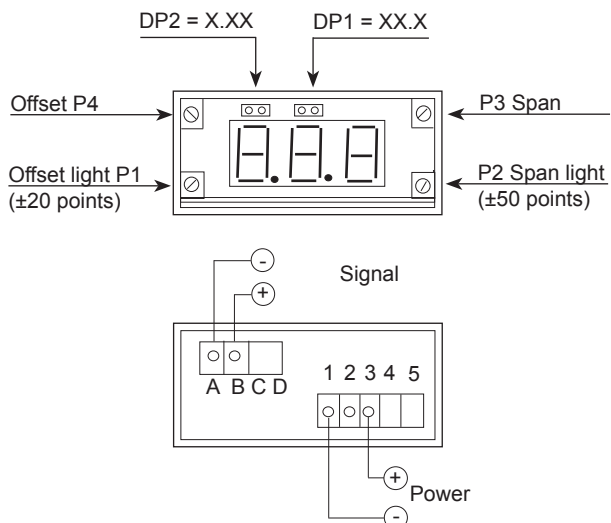
### Order Reference

Model	Power	Signal	Reading
<b>VIR-30</b> - <b>32</b> -	<b>0</b>	<b>4/20mA</b>	<b>0/999mm</b>
	-0 (230 Vac) -1 (115 Vac) -2 (24 Vac) -3 (48 Vac) -6 (10 to 30 Vdc)	4/20 mA 0/10 Vdc	0/999 mm 0/2.50 Bar -20/350 Kg ...

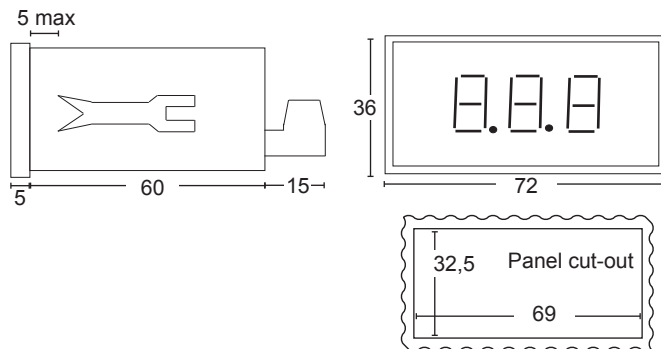
### Technical Data

<b><u>Digits</u></b>	3	<b><u>Configuration</u></b>	by internal potentiometers at the rear of the front filter, and solder-jumpers to select input ranges
Type	7 segments, red	<b><u>Mechanical</u></b>	
Height	14 mm	Mounting	panel
Maximum display	999	Connections	plug-in screw terminals
Minimum display	-999	Weight	<150 grams
Decimal point	selectable 8.8.8	Housing material	ABS black color
Overrange	"XXX" flashing	Front size	72x36mm
Underrange	"-XXX" flashing	Panel cut-out	69x32.5mm
Display refresh	4 per second	Deep	75mm (including terminal)
<b><u>Signals</u></b> accepted	mA, Vdc	Protection	IP30
Ranges in mA	4/20mA, 0/20mA	<b><u>Temperature</u></b>	
Ranges in Vdc	0/10Vdc, 0/100Vdc, 0/450Vdc	Operation temperature	0 to 50°C
Connections	2 wire	Storage temperature	-20 to +70°C
Signal type	active		
<b><u>Power</u></b>			
Options in AC	230Vac, 115Vac, 48Vac, 24Vac		
Options in DC	10-30 Vdc isolated		
Consumption	<3.5W		
Isolation	2KV (powered in AC) 500V (powered in DC)		

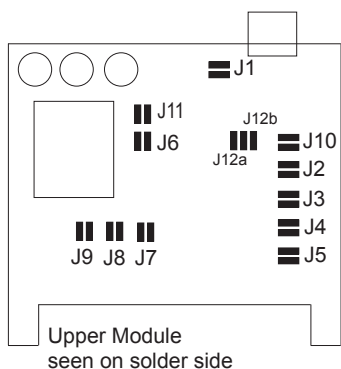
Front View and Connections



Mechanical Dimensions (mm)



Internal Configuration



Signal	Close Jumpers	Offset Type	Jumpers
4/20 mA	J1 - J4 - J5 - J6	Offset Negative (by default)	J8 Closed
0/20 mA	J1 - J4 - J5 - J6		J9 Open
0/10 Vdc	J3 - J6	Offset Positive	J8 Open
0/100 Vdc	J2 - J6		J9 Closed
0/450 Vdc	J4 - J11		

Note .- J12a always closed. J7, J10, J12b always open.

Prescriptions

INSTALLATION - The power supply circuit must be provided with a device that permits disconnection if needed. The power supply type and value, and its connection, are printed on the labels attached to the instrument. The instrument does not have internal protection fuse. To meet safety requirements, the installation of a fuse is needed with the values indicated below :

Fuse	230Vac	115Vac
	50 mA	100 mA

MAINTENANCE - Before any operation of maintenance, adjustment, repair or substitution, the instrument must be unplugged from the power supply. To clean the instrument use a humid cloth. Do not use abrasive products (solvents, alcohols, ...) to clean the front filter and plastic parts. Do not operate the instrument in places with excess of humidity, smoke, or flammable gas. The instrument is designed to be mounted on metallic panel.

IN CASE OF FIRE 1- Disconnect the instrument from the power supply. 2- Give alarm according to local rules. 3- Switch off air conditioning devices. 4- Attack the fire with carbonic snow. Do not use water. In closed areas do not use systems with vaporized liquids.

CE Declaration of Conformity

Manufacturer FEMA ELECTRÓNICA, S.A.  
 Pol. Ind. Santiga - Altimira 14  
 E-08210 - Barberà del Vallès - BARCELONA  
 ESPAÑA - SPAIN  
 www.fema.es - info@fema.es

Series VIR-30  
 Models 01,03,04,05,06,08,10,15,20,21,32,51 and 90

The manufacturer declares that the instruments indicated comply with the directives and rules indicated below.

Directive of electromagnetic compatibility 2004/108/CEE  
 Directive of low voltage 73/23/CEE  
**Safety Requirements 61010-1**  
 Equipment "Fixed", "Permanently connected"  
 Pollution degree 1, Isolation Double, CAT-II  
**Emmission requirements**  
 UNE EN 50081-1 (1994)  
**Immunity requirements**  
 UNE EN 50082-1 (1998)

Barberà del Vallès, April 2010  
 Daniel Juncà - Quality Manager

# other products



Panel Meters  
Standard 96x48



Panel Meters  
Small 72x36 mm



Panel Meters  
Miniature 48x24 mm



Large Displays  
60 & 100 mm digit



Signal Converters  
& Isolators



Panel Meters  
Standard 96x48mm