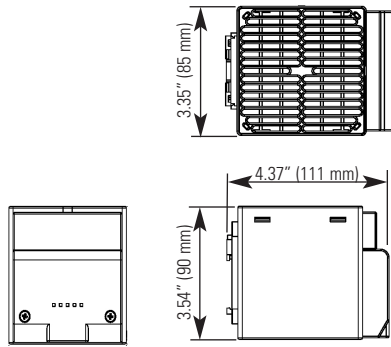




- Compact size**
- Quiet operation**
- Heating power adjusts to ambient temperature**
- DIN rail or screw mount available**

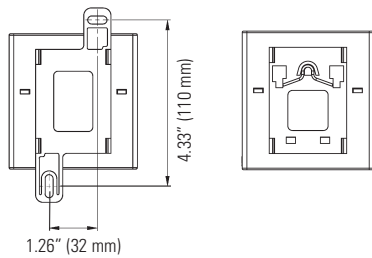
The CSL 028 fan heater prevents formation of condensation and provides an evenly distributed interior air temperature in enclosures. The heater is connected using the internal terminal connectors. The surface temperatures on the accessible side surfaces of the housing are minimized as a result of the heater design. The CSL 028's small size make it ideal for use in enclosures where space is at a premium.



View: back side

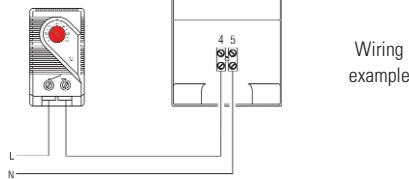
Screw mount

DIN clip



Thermostat

CSL 028 Fan Heater

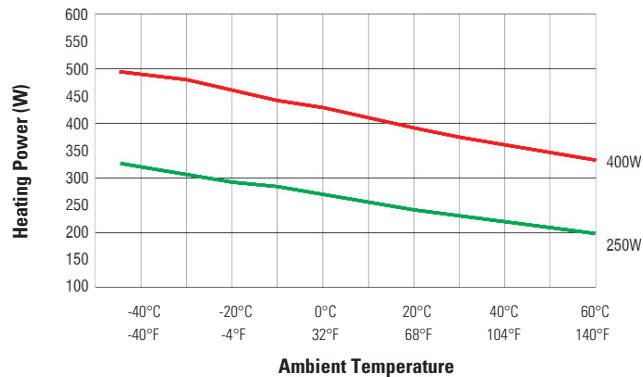


Wiring example



### Technical Data

<b>Heating element</b>	PTC resistor - temperature limiting
<b>Surface temperature</b>	250W: max. 122°F (50°C) except upper protective grill 400W: max. 149°F (65°C) except upper protective grill measured at 68°F (20°C) ambient temperature
<b>Axial fan, ball bearing</b>	service life 40,000h at 104°F (40°C)
<b>Air flow, free blowing</b>	32 cfm (54 m³/h) at 120 VAC; 26 cfm (45 m³/h) at 230VAC
<b>Connection</b>	2-pole terminal AWG 14 max. (2.5mm²) with strain relief, screw torque 0.8Nm max.
<b>Mounting</b>	screw mount or clip for 35mm DIN rail, EN 60 715
<b>Housing</b>	plastic, UL 94V-0, black
<b>Weight</b>	approx. 17.6 oz. (500g)
<b>Mounting position</b>	vertical
<b>Operating / Storage temperature</b>	-49 to +158°F (-45 to +70°C)
<b>Protection class</b>	II (double insulated)
<b>Protection type</b>	IP20



Part No.	Heating capacity <sup>1)</sup>	Operating voltage	Max. current (inrush)	Dimensions	Mounting	Approvals
02810.0-00	400W	230VAC, 50/60Hz	15A	3.54 x 3.35 x 4.37" (90 x 65 x 111mm)	DIN clip	UL File No. E150057, VDE
02810.0-01	400W	230VAC, 50/60Hz	15A	5.08 x 3.35 x 4.37" (129 x 65 x 111mm)	Screw mount	UL File No. E150057, VDE
02810.9-00	400W	120VAC, 50/60Hz	9A	3.54 x 3.35 x 4.37" (90 x 65 x 111mm)	DIN clip	UL File No. E150057
02810.9-01	400W	120VAC, 50/60Hz	9A	5.08 x 3.35 x 4.37" (129 x 65 x 111mm)	Screw mount	UL File No. E150057
02811.0-00	250W	230VAC, 50/60Hz	9A	3.54 x 3.35 x 4.37" (90 x 65 x 111mm)	DIN clip	UL File No. E150057, VDE
02811.0-01	250W	230VAC, 50/60Hz	9A	5.08 x 3.35 x 4.37" (129 x 65 x 111mm)	Screw mount	UL File No. E150057, VDE
02811.9-00	250W	120VAC, 50/60Hz	6A	3.54 x 3.35 x 4.37" (90 x 65 x 111mm)	DIN clip	UL File No. E150057
02811.9-01	250W	120VAC, 50/60Hz	6A	5.08 x 3.35 x 4.37" (129 x 65 x 111mm)	Screw mount	UL File No. E150057

<sup>1)</sup> at 68°F (20°C) ambient temperature