

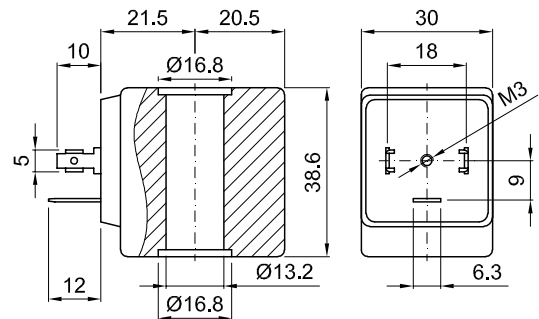
**DESCRIPTION**

Encapsulated coil incorporating the magnetic circuit.  
 Fixing by means of a central nut.  
 Electrical connection according to DIN 43650 A  
 (A EN 175301-803 ISO 4400)



**CONSTRUCTION**

Encapsulation:  
 Class F                      Fibre-glass Nylon  
 Class H                      Fibre-glass Polyarylamide  
 Magnetic circuit          Zinc-plated steel  
 Windings                    Copper covered with class H insulation



**OPTIONS:**    Electrical connection through cable  
                   Special powers and voltages  
                   Self-extinguish

CODE		Alternating Current Voltage	Direct Current Voltage (V)	Power ①		Voltage tolerance		Connector	Service ED
Class F insulation	Class H insulation			Alternating Current (VA)	Direct Current (W)	Alternating current	Direct current		
20A	22A	12V 50/60Hz	-	15	-	+15%	-	10349000	100%
20B	22B	24V 50/60Hz	-						
20C	22C	48V 50/60Hz	-						
20D	22D	110V 50/60Hz	-						
20E	22E	220/230V 50/60Hz	-						
20F	22F	240V 50/60Hz	-						
20G	22G	380V 50/60Hz	-	-	10	-	±10%	10349000	100%
200	220	-	12						
201	221	-	24						
202	222	-	48						

**Certified versions**

NOTE: The performance with UL coil could be different. Please contact the manufacturer for any further information.

-	U25B	24V 60Hz	-	15	-	±10%	-	10349000	100%
-	U25D	120V 60Hz	-						
-	U25F	240V 60Hz	-						
-	U250	-	12	-	10	-	±10%	10349000	100%
-	U251	-	24						

① Considering nominal voltage and an ambient temperature of 20°C