

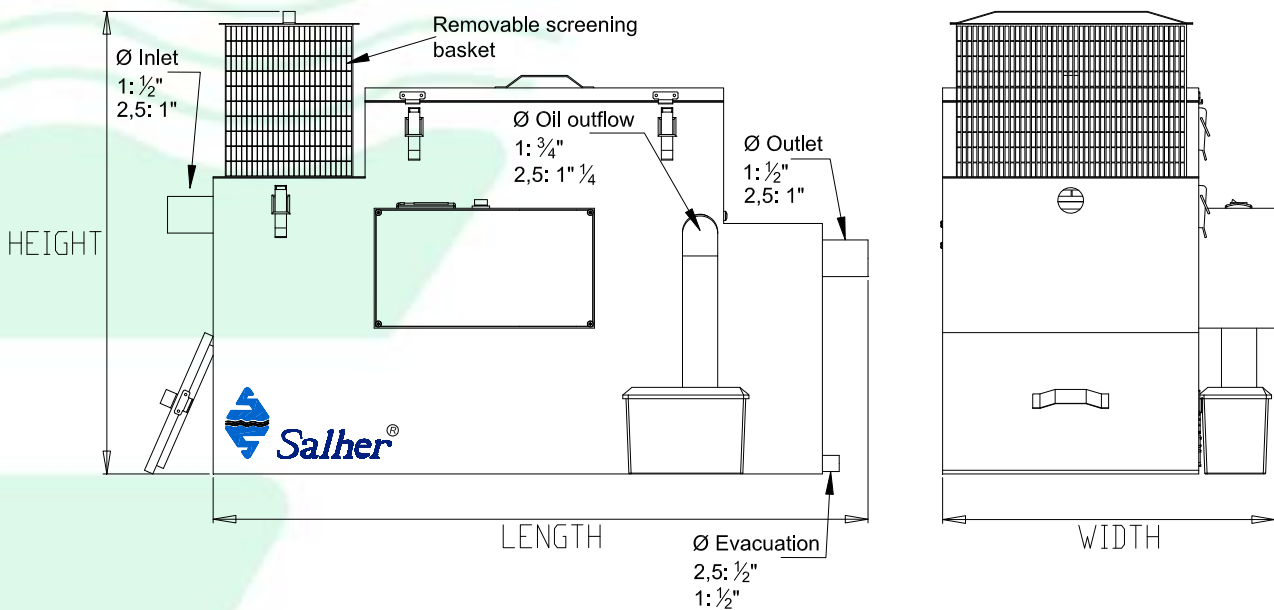
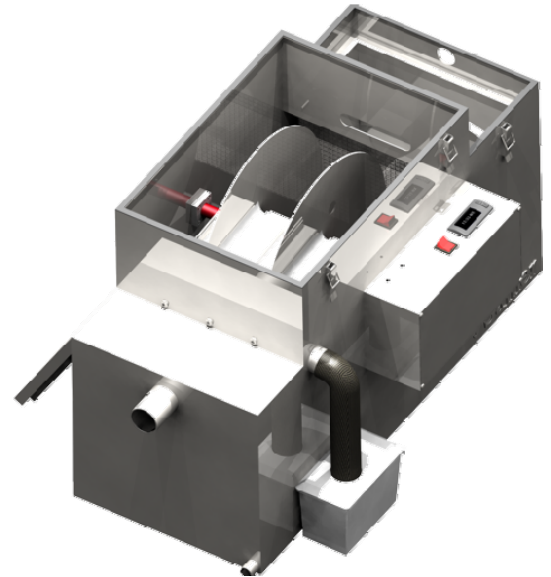
AUTOMATIC GREASE TRAP FOR RESTAURANT
REF: CG-AUT

Application:

- Intercepts and automatically removes non-emulsified organic oil and grease before they enter in the waste water disposal system.

Characteristics:

- Manufactured in AISI 304 stainless steel (optional: AISI 316 stainless steel).
- Easily removable screening basket for solid refuse recovery.
- Automatic skimmer wheel with oils removing scrapers.
- Timer for skimmer wheel control.
- Automatic thermostatically controlled heater improves Fats, Oils and Grease separation and draw-off and prevents scum layer.
- Quiet automatic operation.
- Simple maintenance.
- Power supply: 230 V.



REF.	Flow [L/S]	Width [mm]	Capacity [L]	Height [mm]	Length [mm]	INLET [mm]	OUTLET [mm]	CS Skimmer [mm]	(W) MOTOR / HEATER
CG-AUT-0,25	0,25	270	40	365	512	210	170	195	8 / 750
CG-AUT-2	2,00	437	170	610	862	360	284	330	8 / 750