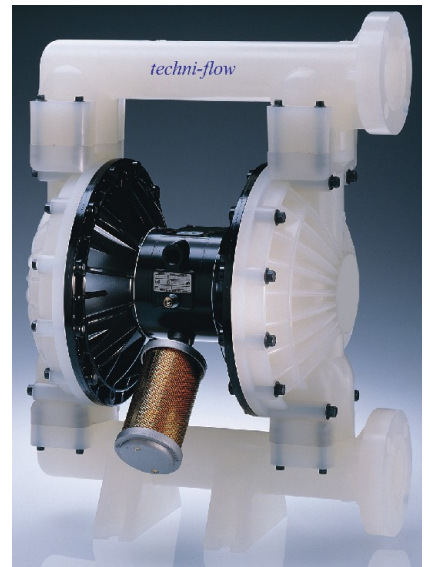


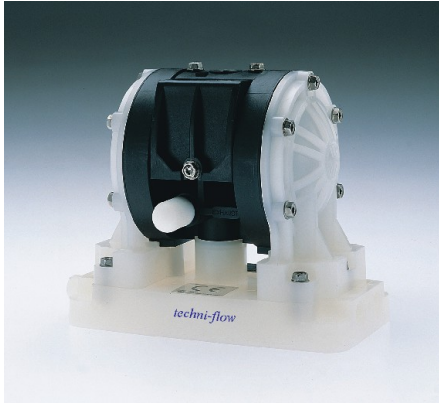
Techni-flow[®]

PUMPS



Techni-flow pumps TFG025 1/4"

SPECIFICATIONS



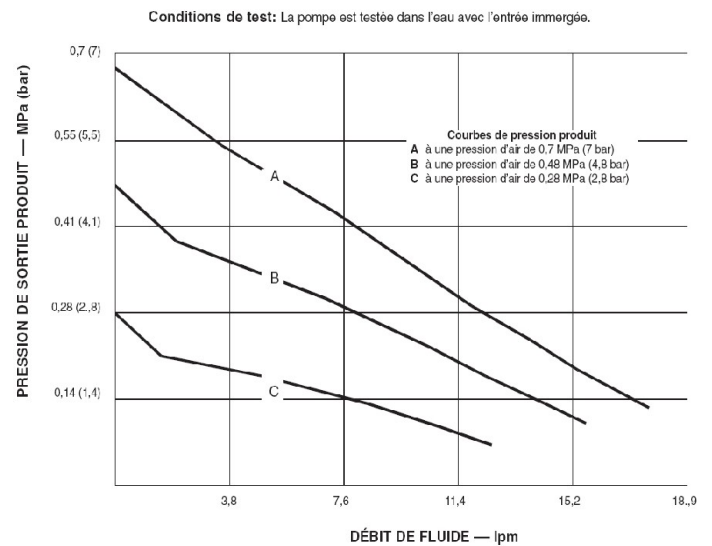
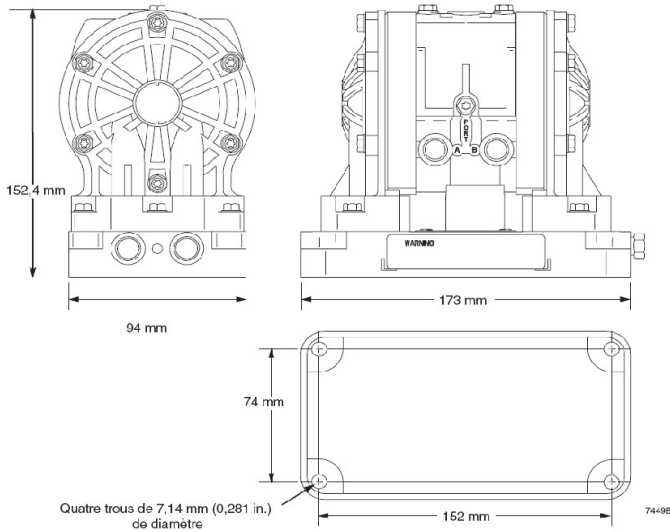
Maximum flow of water 18,9l/mn
 Maximum diameter of particles 1.5 mm
 Maximum fluid pressure 7 bar
 3m maximum suction vacuum
 Entered and outlet product 1/4 "npt hybrid / bsp
 Air inlet 1/4 "
 Air exhaust 1/4 "

Material of the body fluid side

Acetal carbon charge (Atex)
 Polypropylene
 PvdF

Material elastomers fluid side

PTFE
 Santoprene



CURRENT REFERENCES:

REFERENCE	BODY Material	DIAPHRAGM Materials
TFG025-PTF	POLYPROPYLEN	PTFE
TFG025-PSP	POLYPROPYLEN	SANTOPRENE
TFG025-ACTF	ACETAL	PTFE
TFG025-KTF	PVDF	PTFE

Techni-flow pumps TFG100 1/2"

plastic

SPECIFICATIONS



Maximum flow of water 57l/mn
 Maximum diameter of particles 2,5mm
 Maximum fluid pressure 7 bar
 3,7m maximum suction vacuum
 Entered and outlet product 1/2+3/4"
 Air inlet 1/4"

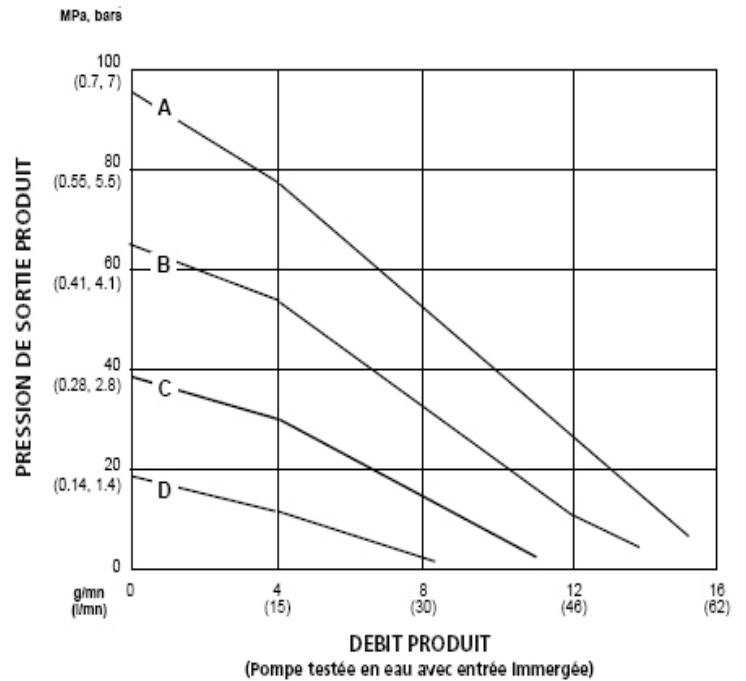
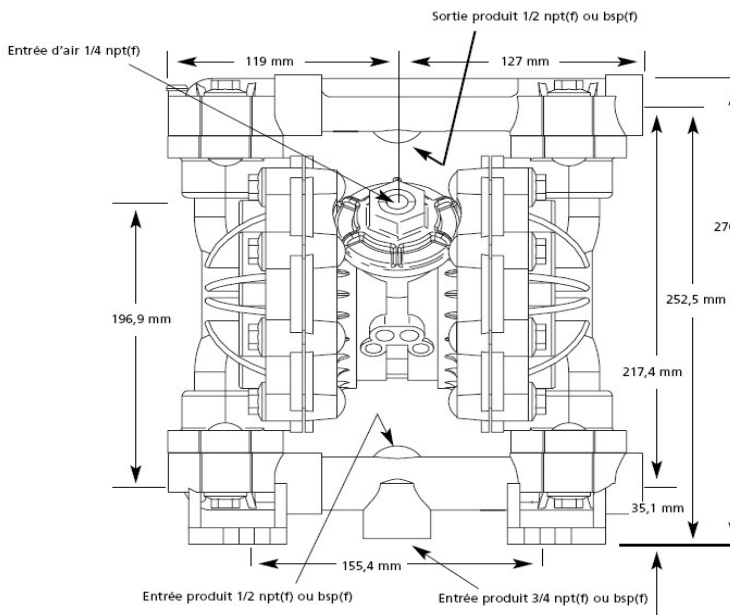
Air exhaust 1/4"
Material of the body fluid side

Acetal carbon charge (Atex)
 Polypropylene
 PvdF

Material elastomers fluid side

PTFE
 Santoprène
 BUNA

Pression produit



CURRENT REFERENCES:

REFERENCE	BODY Material	DIAPHRAGM Materials
TFG100-PTF	POLYPROPYLENE	PTFE
TFG100-PSP	POLYPROPYLENE	SANTOPRENE
TFG100-PBN	POLYPROPYLENE	BUNA
TFG100-KTF	PVDF	PTFE

Techni-flow pumps TFG100 3/4" SPECIFICATIONS

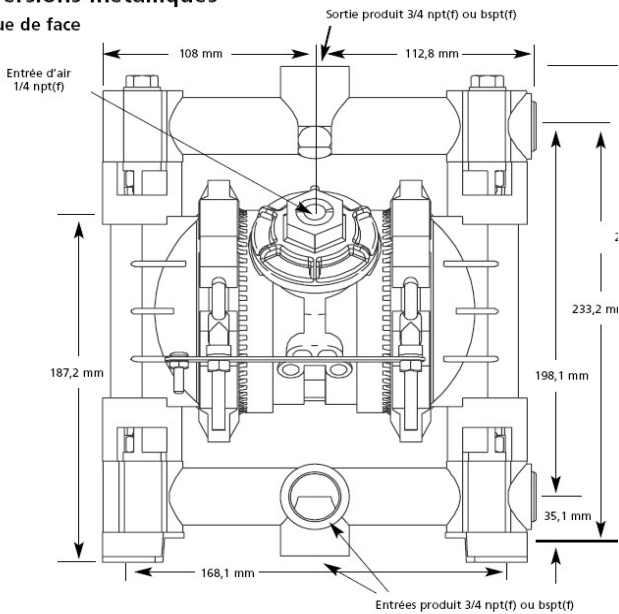


Maximum flow of water 61 l/mn
 Maximum diameter of particles 2,5mm
 Maximum fluid pressure 7 bar
 maximum suction vacuum 3,4m
 Entered and outlet product 3/4"
 Air inlet 1/4"
 Air exhaust 3/8"
 Material of the body fluid side
 Aluminium (atex)
 ss (atex)

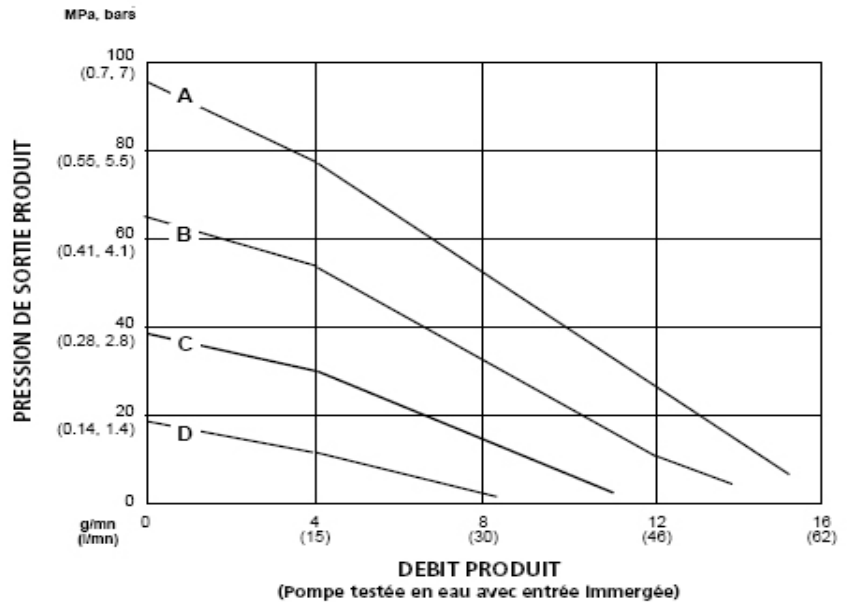
Material elastomers fluid side
 PTFE
 Santoprène
 BUNA

versions métalliques

Vue de face



Pression produit



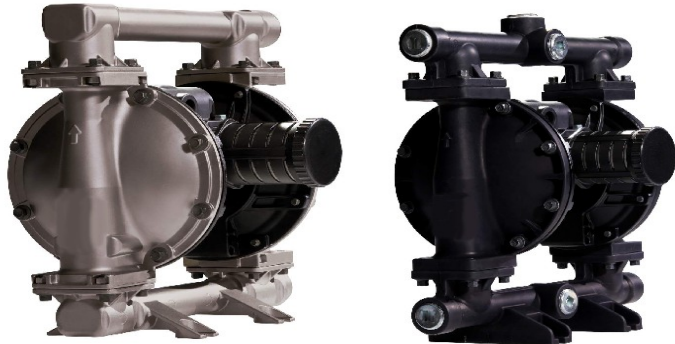
CURRENT REFERENCES:

REFERENCE	BODY Material	DIAPHRAGM Materials
TFG100-ATF	ALUMINIUM	PTFE
TFG100-ABN	ALUMINIUM	BUNA
TFG100-STF	ss	PTFE

Techni-flow pumps TFG200 1"

métallic

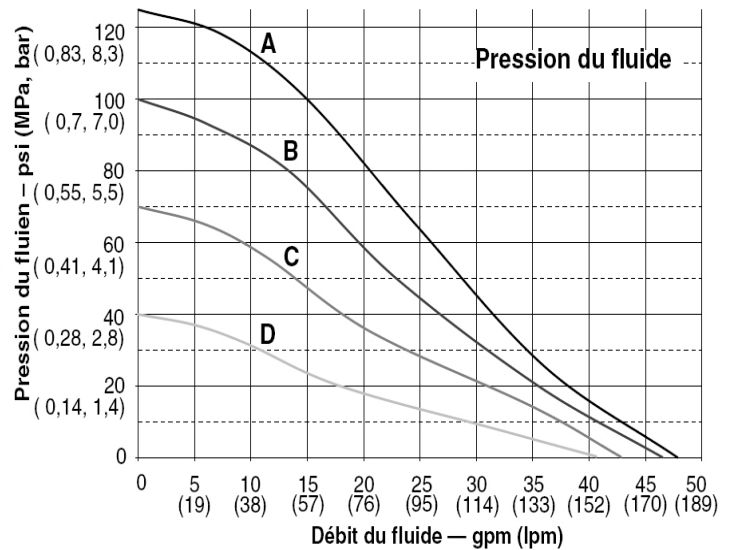
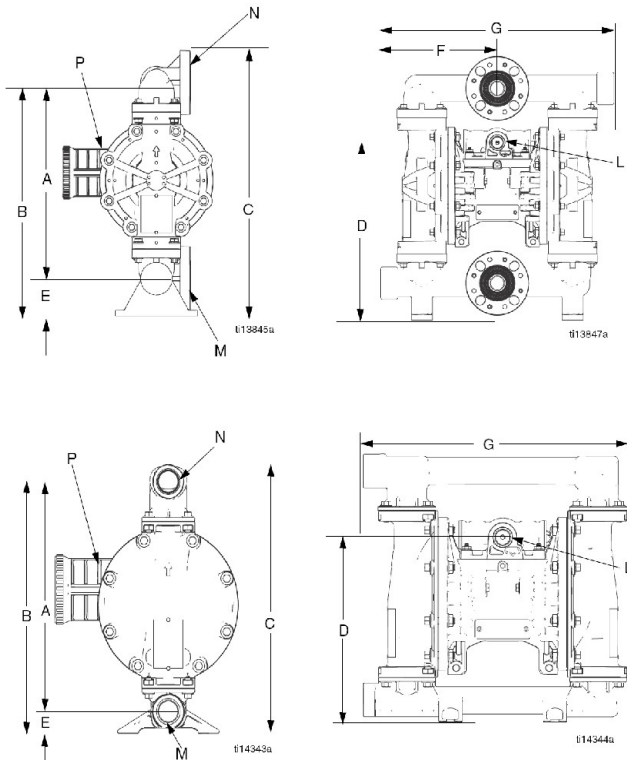
SPECIFICATIONS



Maximum flow of water 189l/mn
 Maximum diameter of particles 3,2mm
 Maximum fluid pressure 8,6 bar
 maximum suction vacuum 4,9m / 8,8
 Entered and outlet product 1"
 Air inlet 1/2"

Material of the body fluid side
 ALUMINIUM (atex)
 ss (atex)

Material elastomers fluid side
 PTFE
 Santoprène
 BUNA



CURRENT REFERENCES:

REFERENCE	BODY Material	DIAPHRAGM Materials
TFG200-ATF	ALUMINIUM	PTFE
TFG200-ABN	ALUMINIUM	BUNA
TFG200-STF	ss	PTFE

Techni-flow pumps TFG200 1"

Plastic

SPECIFICATIONS

Maximum flow of water 189l/mn
 Maximum diameter of particles 3,2mm
 Maximum fluid pressure 8,6 bar
 maximum suction vacuum 4,9m / 8,8 m
 Entered and outlet product 1" flanges

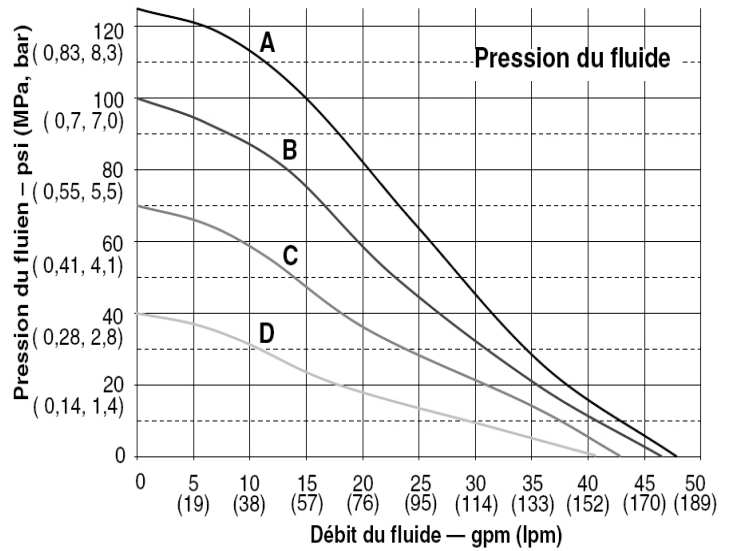
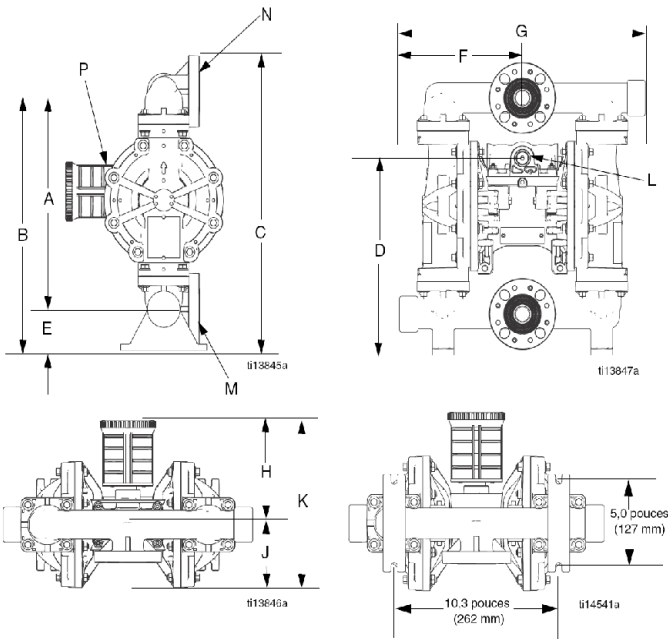
ANSI/DIN



Air inlet 1/2"

Material of the body fluid side
 Polypropylene
 Pvdf

Material elastomers fluid side
 PTFE
 Santoprène



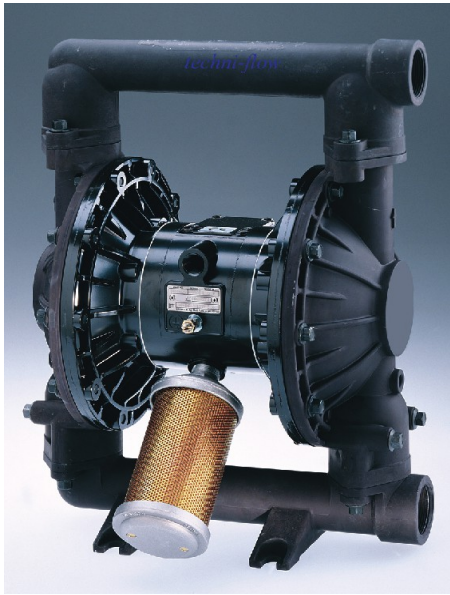
CURRENT REFERENCES:

REFERENCE	BODY Material	DIAPHRAGM Materials
TFG200-PTF	POLYPROPYLEN	PTFE
TFG200-PSP	POLYPROPYLEN	SANTOPRENE
TFG200-KTF	PVDF	PTFE

Techni-flow pumps TFG400 1"1/2

Métallique

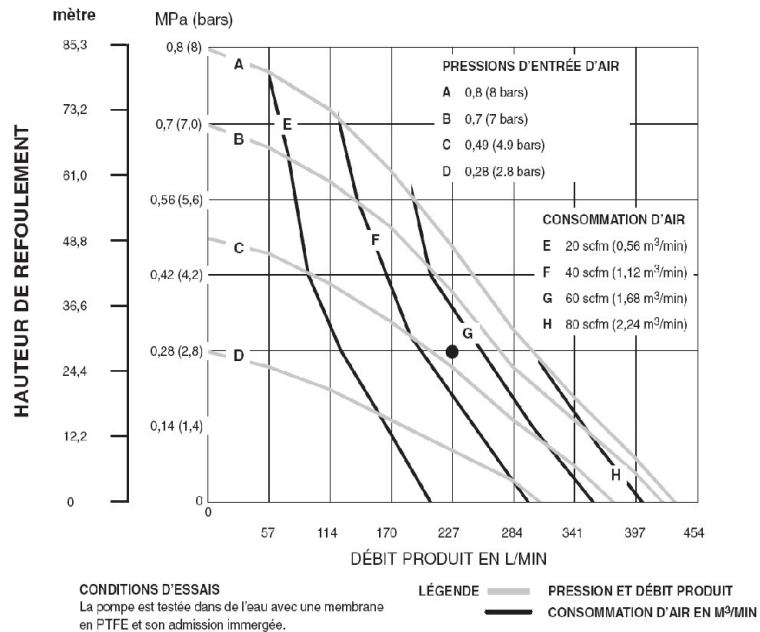
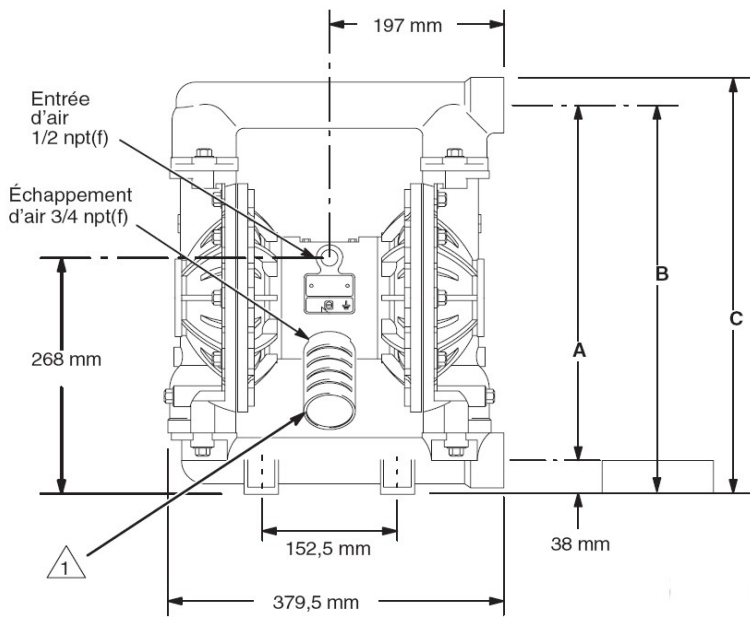
SPECIFICATIONS



Maximum flow of water 378,5l/mn
 Maximum diameter of particles 4,8mm
 Maximum fluid pressure 8,4 bar
 maximum suction vacuum 6m
 Entered and outlet flanges 1"1/2
 Air inlet 1/2
 Air exhaust 3/4"
 Material of the body fluid side
 Aluminium (atex)
 ss

Material elastomers fluid side
 PTFE
 Santoprène
 Buna

VUE DE FACE

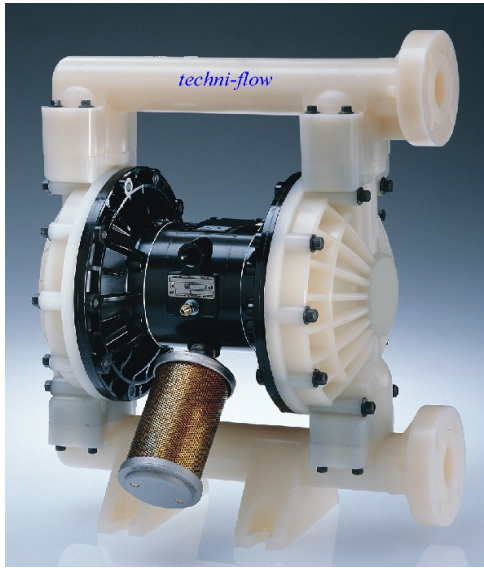


CURRENT REFERENCES:

REFERENCE	BODY Material	DIAPHRAGM Materials
TFG400-ATF	ALUMINIUM	PTFE
TFG400-ASP	ALUMINIUM	SANTOPRENE
TFG400-ABN	ALUMINIUM	BUNA
TFG400-STF	ss	PTFE

Techni-flow pumps TFG400

Plastic

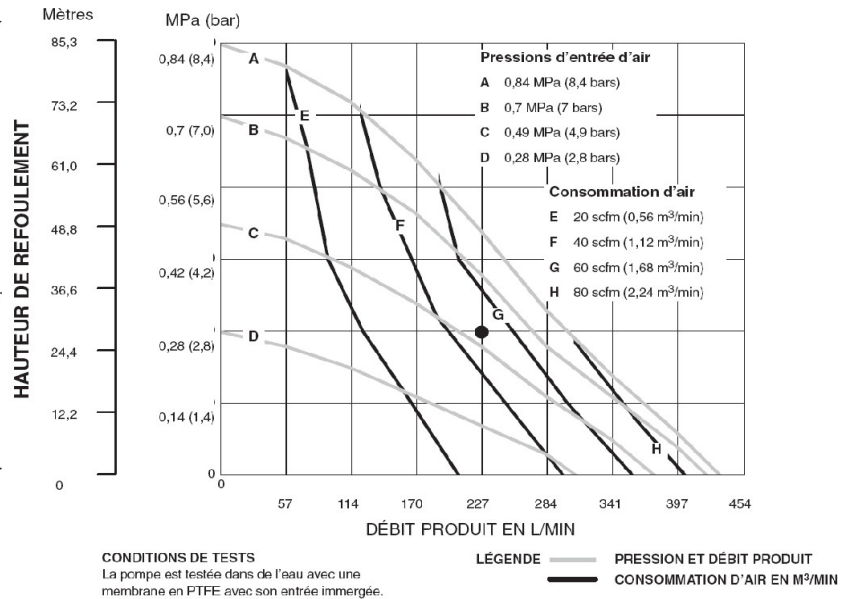
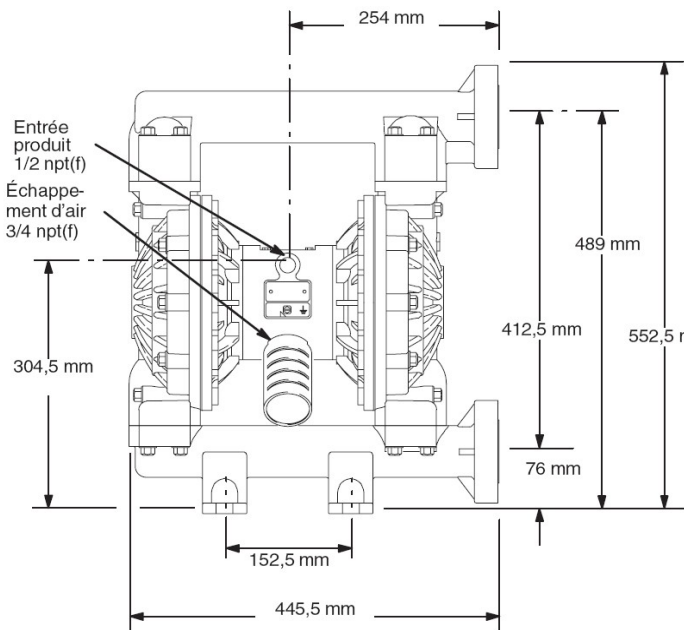


SPECIFICATIONS

Maximum flow of water 378,5l/mn
 Maximum diameter of particles 4,8mm
 Maximum fluid pressure 8,4bar
 maximum suction vacuum 6,1m vacuum
 Entered and outlet flanges 1"1/2
 Air inlet 1/2"
 Air exhaust 3/4"

Material of the body fluid side
 Polypropylene
 Pvdf

Material elastomers fluid side
 PTFE
 Santoprène



CURRENT REFERENCES:

REFERENCE	BODY Material	DIAPHRAGM Materials
TFG400-PTF	POLYPROPYLEN	PTFE
TFG400-PSP	POLYPROPYLEN	SANTOPRENE
TFG400-KTF	PVDF	PTFE

Techni-flow pumps TFG800 2"

Métallique

SPECIFICATIONS

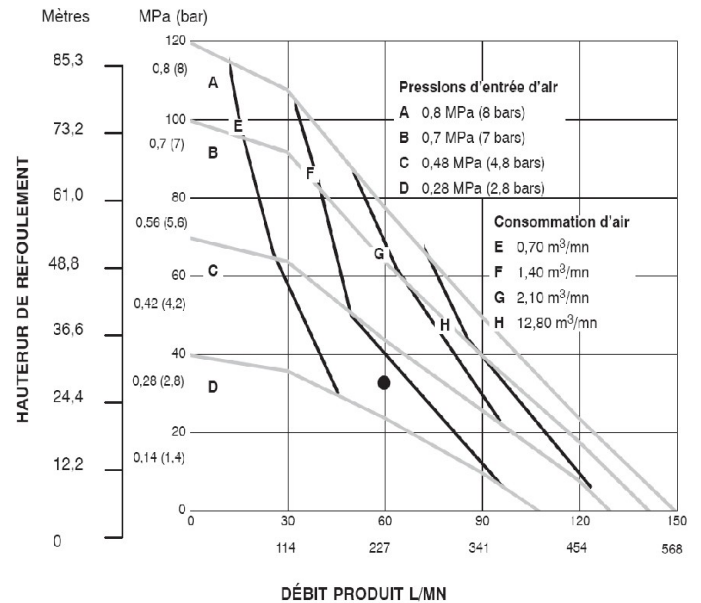
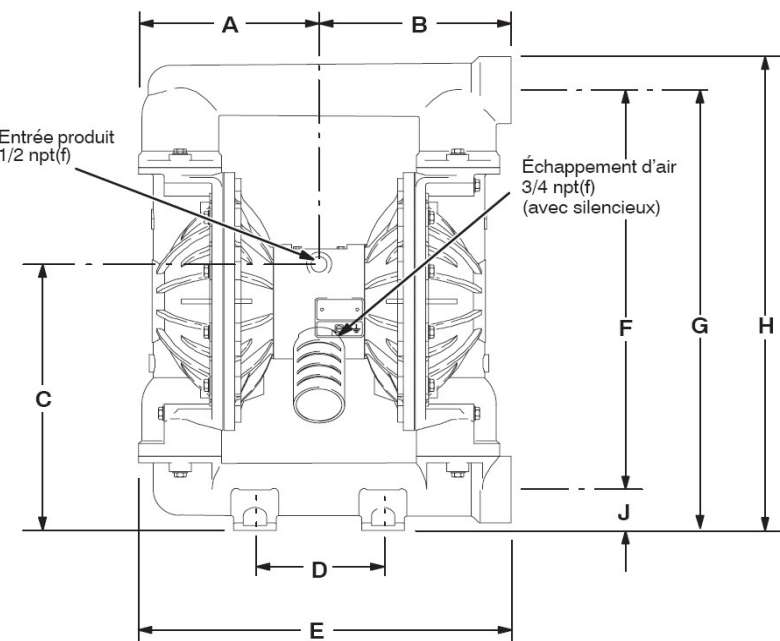


Maximum flow of water 568l/mn
 Maximum diameter of particles 6,3mm
 Maximum fluid pressure 8,4 bar
 maximum suction vacuum 6,3m vacuum
 Entered and outlet product 2"
 Air inlet 1/2"
 Air exhaust 3/4"

Material of the body fluid side
 Aluminium
 SS

Material elastomers fluid side
 PTFE
 Santoprène
 Buna

VUE DE FACE



CONDITIONS DE TESTS

La pompe est testée dans l'eau avec une membrane en PTFE et l'entrée immergée.

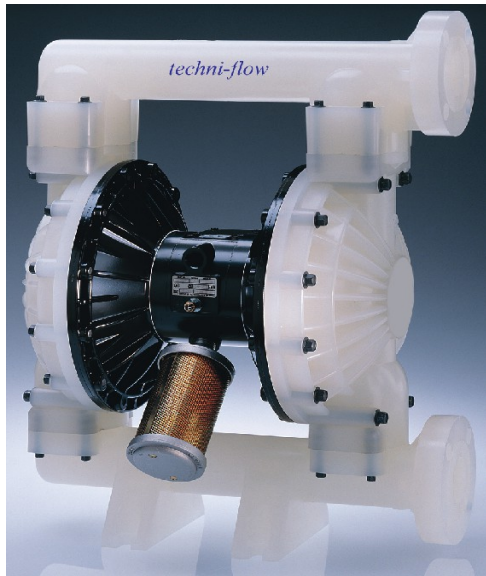
LÉGENDE ———— PRESSION ET DÉBIT PRODUIT
 ———— CONSOMMATION D'AIR EN M³/MIN

CURRENT REFERENCES:

REFERENCE	BODY Material	DIAPHRAGM Materials
TFG800-ATF	ALUMINIUM	PTFE
TFG800-ASP	ALUMINIUM	SANTOPRENE
TFG800-ABN	ALUMINIUM	BUNA
TFG800-STF	ss	PTFE

Techni-flow pumps TFG800

Plastic

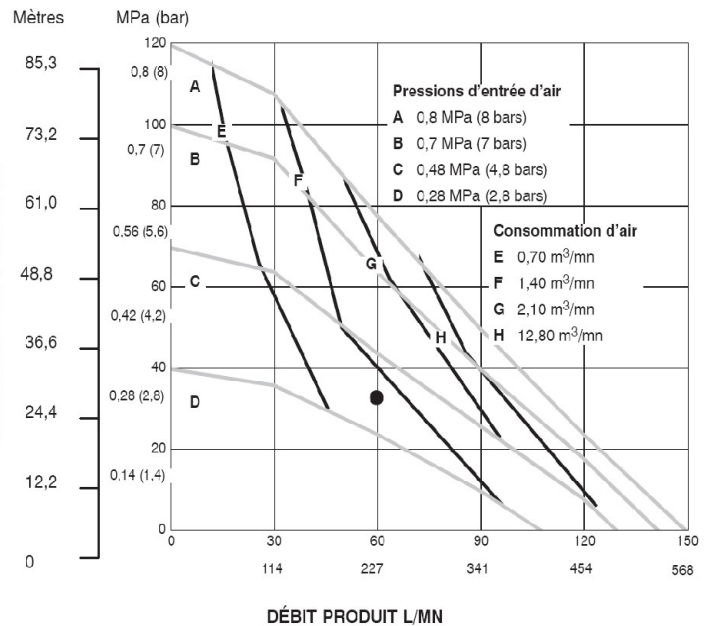
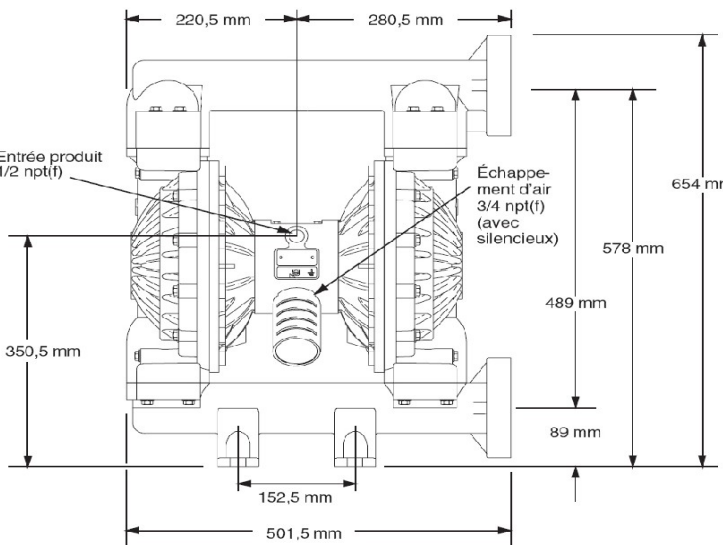


SPECIFICATIONS

Maximum flow of water 568l/mn
 Maximum diameter of particles 6,3mm
 Maximum fluid pressure 8,4bar
 maximum suction vacuum 6,1m
 Entered and outlet product 2" flanges ANSI/din
 Air inlet 1/2"
 Air exhaust 3/4"
 Material of the body fluid side
 Polypropylene
 PvdF

 Material elastomers fluid side
 PTFE
 Santoprène

VUE DE FACE



CONDITIONS DE TESTS

La pompe est testée dans l'eau avec une membrane en PTFE et l'entrée immergée.

LÉGENDE — PRESSION ET DÉBIT PRODUIT
 — CONSUMMATION D'AIR EN M³/MIN

CURRENT REFERENCES:

REFERENCE	BODY Material	DIAPHRAGM Materials
TFG800-PTF	POLYPROPYLEN	PTFE
TFG800-PSP	POLYPROPYLEN	SANTOPRENE
TFG800-KTF	PVDF	PVDF

Techni-flow pumps TFG1500 3"

SPECIFICATIONS



Maximum flow of water 1041l/mn
 Maximum diameter of particles 9,4mm
 Maximum fluid pressure 8,4 bar
 maximum suction 2,4m vacuum
 Entered and outlet product 3" flanges ANSI/DIN
 Air inlet 3/4"

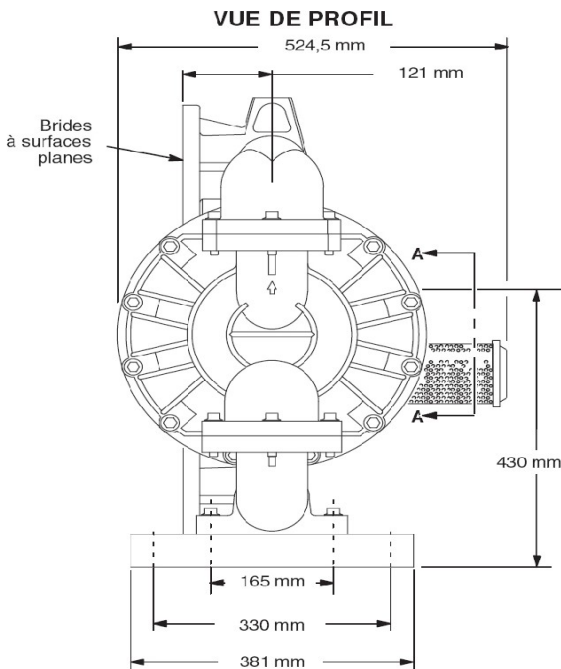
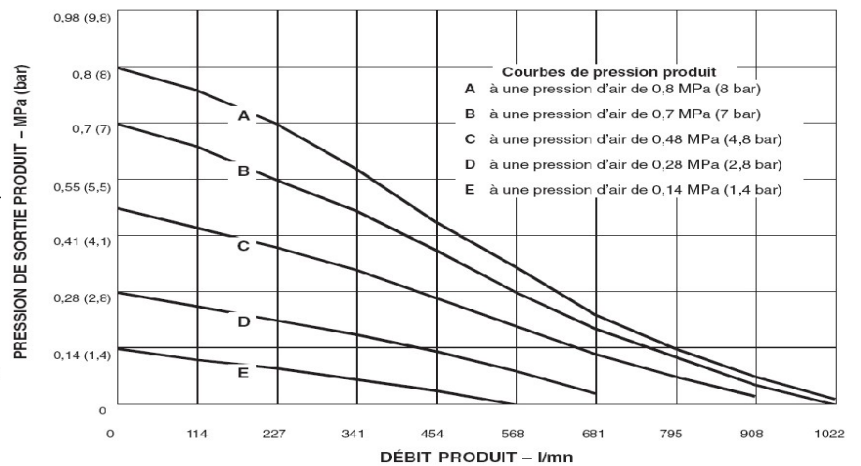
Material of the body fluid side
 Aluminium

Material elastomers fluid side
 PTFE
 SANTOPRENE
 BUNE

Tableau de performances

Pression de sortie produit

Conditions de test: La pompe est testée dans l'eau avec l'entrée immergée.



CURRENT REFERENCES:

REFERENCE	BODY Material	DIAPHRAGM Materials
TFG1500-ATF	ALUMINIUM	PTFE
TFG1500-ASP	ALUMINIUM	SANTOPRENE
TFG1500-ABN	ALUMINIUM	BUNA