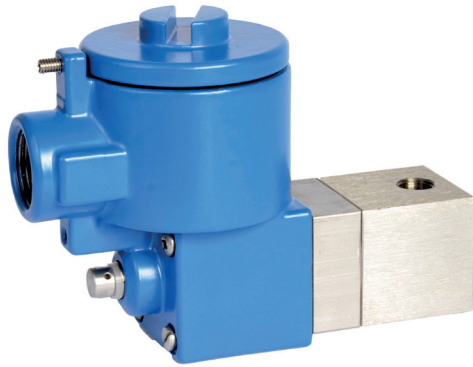


E13A-0 Series, Direct Acting, 1/8", 3/2 Function Solenoid Valve



DESCRIPTION

3 port 2 position direct acting, spring return solenoid valve, available in normally closed or normally open configuration.

Stainless steel valve is illustrated with an Exia coil in stainless steel housing.

Body material available in

- Aluminium (standard)
- Stainless Steel
- Brass

FEATURES

- Individual or direct relay mounting
- Interchangeable coils, including various hazardous area options
- Pilot exhaust dust caps fitted as standard
- Also available with 1/4" ports
- SIL2 on energising, SIL3 on de-energising when used in 3/2 mode

PRODUCT CODE: **E 1 3 A** **0** **0** **0** **0** **0** **0** **0**

OPERATOR COIL OPTIONS 1 VOLTAGE DESIGNATOR OPTIONS 2

SEE BELOW FOR PRODUCT CODE DETAILS
Any of the below options that are not required enter '0' in relevant box.

Operator

- X** Spring return, normally closed
- Y** Spring return, normally open

Coil

- A** Exia (BASEEFA)
- B** Terminal Box
- U** Exia (FM)
- D** Exd
- K** MC30 Plug & Socket
- N** ExnA
- P** Plug & Socket
- S** Exia (BASEEFA) Stainless Steel Housing
- 0** No Coil Unit
- 9** Exm

Options 1

- C** Lever Manual Override
- D** Push Button Manual Override
- I** Tamperproof Manual Override
- 0** No option required

Standard Voltage

- B** 24v DC
- H** 24v DC Low Power ⁽¹⁾
- R** 24v AC (50/60 Hz)
- T** 110v AC (50/60 Hz)
- N** 220v AC (50/60 Hz)
- U** 240v AC (50/60 Hz)

* A comprehensive range of non-standard voltages available on request

Designator

- A** ATEX
- C** IECEx ⁽²⁾
- E** Exme 0.5W
- G** ATEX Exd IIB
- H** Exm
- J** Exme 2.4W
- R** GOST CU TR ⁽³⁾
- X** NEPSI ⁽⁴⁾

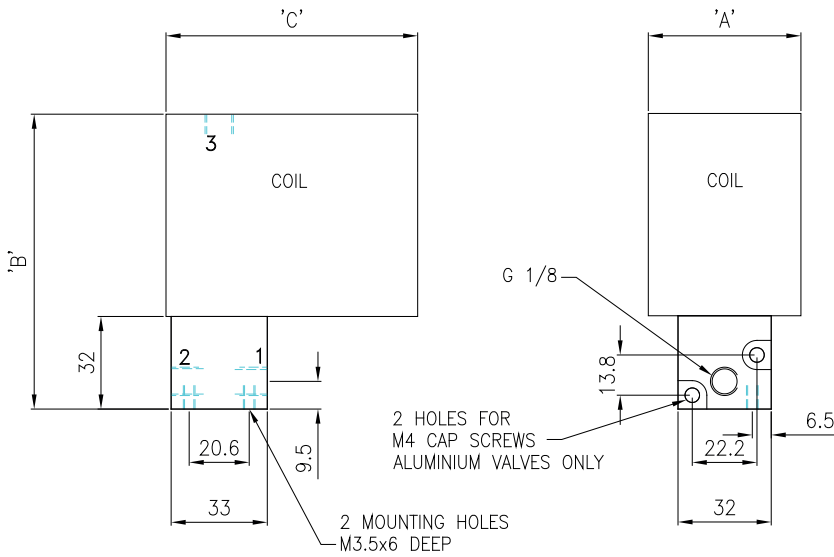
Options 2

- B** Valve body brass
- C** Valve body brass and NPT ports
- D** Valve body brass, NPT ports and 1/2" NPT electrical connection
- E** 1/2" NPT electrical connection
- L** Low temperature duty -40°C
- M** NPT ports and 1/2" NPT electrical connection
- N** NPT ports
- P** Valve body stainless steel, NPT ports and 1/2" NPT electrical connection
- R** Valve body stainless steel and NPT ports
- S** Valve body stainless steel
- X** Valve suitable for use with Oxygen

Note:

- (1) "H" option not available with Exia solenoids
- (2) IECEx only available with Exia and Exd Solenoids
- (3) GOST CU TR only available with Exd solenoids
- (4) NEPSI only available with Exia and Exd solenoids

DIMENSIONS (mm)



COIL TYPE	A	B	C
Heavy Duty Mazak Plug & Socket	36	76	78
Standard Terminal Box	36	84	65
SS Terminal Box	52	101	85
ExnA Terminal Box	36	84	65
Exd SS Terminal Box	52	101	85
Exm Flying Lead	36	92	72
Exme Terminal Box	36	84	65
Exia SS Terminal Box	52	112	85
Exia Std. Terminal Box	36	95	65
Exia Plug & Socket	36	84	91

MATERIAL SPECIFICATIONS

	STANDARD
Body	Black Anodised Aluminium (Dural)
Jet	Brass
Seals	Nitrile (Alternative Seals Available)

VALVE SPECIFICATIONS

	STANDARD
Port Connection Size (Standard)	1/8" BSP
Working Pressure	0 to 10 bar
Cv Factor	0.06 (0.04 Intrinsically safe coil)
Flow Rate (at 6 bar with 1 bar pressure drop)	62 l/min 42 l/min for Intrinsically safe coil
Maximum Ambient Temperature	+80 °C
Minimum Working Temperature	-20 °C

COIL DETAILS

Coil Type	Plug & Socket	Terminal Box	ExnA	Exd	Exm	Exia
Area Class	Safe	Safe	Zone 2	Zones 1 & 2	Zones 1 & 2	Zone 0, 1 & 2
Area Category	N/A	N/A	ExN II T4-T6	Exd IIC T3-T6	Exm IIC T5	Exia IIC T6
Ingress Protection	IP65	IP65	IP65	IP66	IP65	IP65
Cable Entry	PG.9	M20 x 1.5	M20 x 1.5	M20 x 1.5	Flying leads	M20 x 1.5
Ambient Temperature	-20 to +80 °C	-20 to +80 °C	-40 to +60 °C	-60 to +80 °C	-20 to +65 °C	-40 to +65 °C
Magnetic Wire Class	H	H	H	H	H	H

*** FURTHER SOLENOID OPTIONS AVAILABLE ON REQUEST**