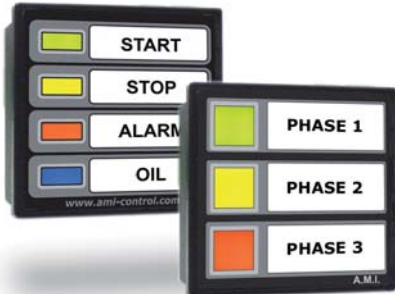


LEDs indicator display panel
with selection of 7 colours per LED
with remote relay option possible

Warranty
2 years
Warranty



DIN 48 x 48 format



PAN45

PAN35

Possible supply
from 8V to 500V
ac/dc



Strengthened protection

USE :

The new PAN35 series is very economical and is designed for cabinets with many repetitive outputs such as :

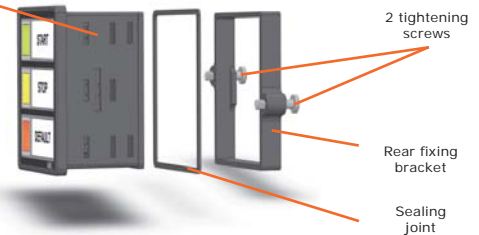
Detachable cell distribution cabinets, Pump multiple outputs, Circuit breakers...

The PAN35/PAN45 series can be used in the most difficult situations.

Advantages :

- Very wide scope of each voltage range allow to group together many products and stock reductions through standardization. Supply voltage tolerances allow the use of the same model for several voltages from various supplies (example : One single model from 10Vac/dc to 300Vac/dc or 250Vrms ac).
- Strengthened over-voltage protection.
- Selectable choice of one colour out of 7 for each LEDs.
- Increased luminosity with reduction in consumption (and decrease in internal heating).
- Exceptionally long working life (LEDs).
- Front face sealing : IP65.
- Original «LEDs Test» terminal.
- Unpluggable terminal board to screw in.
- Label produced by printer (free software).

48x48 DIN
box



PRESENTATION :

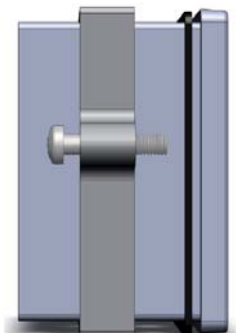
- DIN type 48x48mm box with front face sealing (IP65) (front face seal).
- Assembly by screw-in bracket with possible of fitting at 90°.
- Unpluggable terminal board to screw-in (3 or 4 inputs + 1 common + «LEDs Test»).
- Very high luminosity.
- Very low consumption (10mA per light).
- Constant luminosity irrespective of supply voltage.
- Each LED protected against over-voltage.

Standard Versions :

- PAN35 (3 LEDs) :
It is made up of 3 10x10mm LEDs and a large common label with label holder.
- PAN45 (4 LEDs) :
It is made up of 4 5x10mm LEDs and a large common label with label holder.

Remote relay :

- A selectable remote relay is possible on some models. Selectable, it allow an information feedback «contact» (O/C) when some inputs are present.



LEDS COLOUR SETTING :

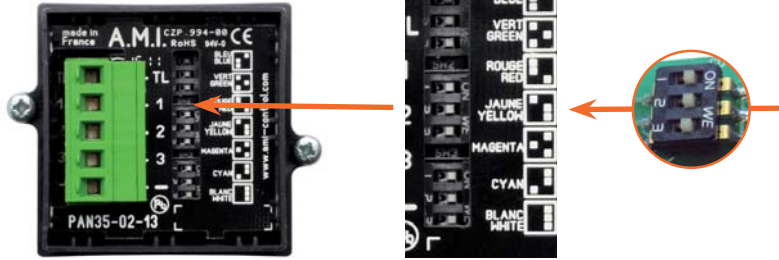
A choice of 7 colours of display is possible per LEDs, selectable using switches on the front. Following the setting procedure, you have a choice of the following colours :

Red, Green, Yellow, Blue, White, Cyan, Magenta.

The working lifetime of this type of component is practically unlimited. To improve reliability, the LED control run at 10mA ensuring substantial and constant luminosity irrespective of supply voltage. This control ensures effective protection in case of over-voltage.

Changing LEDs is no longer necessary.

Color	Switch Position	LED Color
Bleu / Blue	OFF (1)	Blue
Vert / Green	ON (2)	Green
Rouge / Red	ON (3)	Red
Jaune / Yellow	ON (1)	Yellow
Magenta	ON (2)	Magenta
Cyan	ON (3)	Cyan
Blanc / White	ON (1)	White
Eteint / Off	ON (2)	Off



For safety (high voltage) reasons, the PAN35-02-113, PAN35-05-13, PAN35-55-13, PAN45-04-13 and PAN45-55-13 versions have the switches located in the front. To achieve this, it is necessary to take out the «printed circuit» unit. Take out screw A and take out the unit from the back



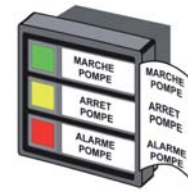
PRODUCING LABELS :

Labels are ordinary paper sheets that can be slid into a transparent pocket included in the thickness of the front. A blank label is supplied with each unit. Labels can be handmade, or produced on a colour printer (laser or ink-jet). PC software is provided for free to create labels, including images, to save and to duplicate the productions.

It is possible to load it on our website :

www.ami-control.com

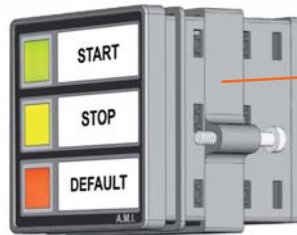
For high humidity countries printing on plastic sheets is recommended.



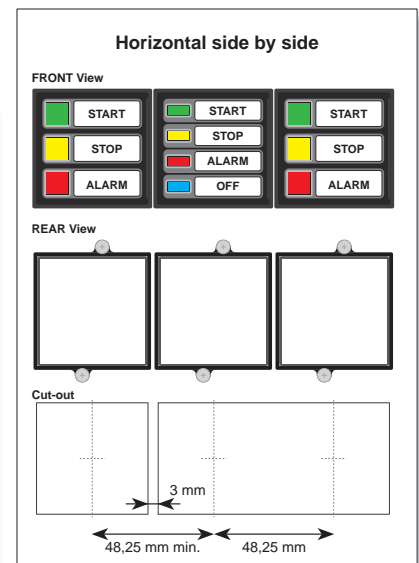
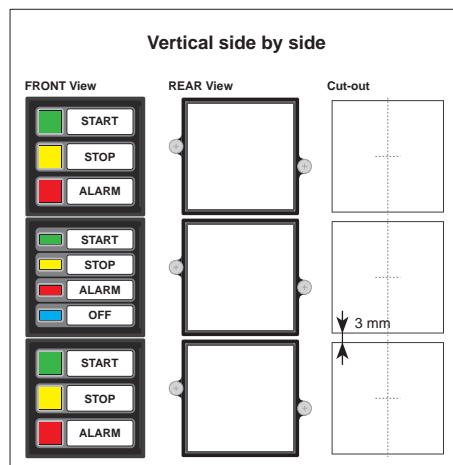
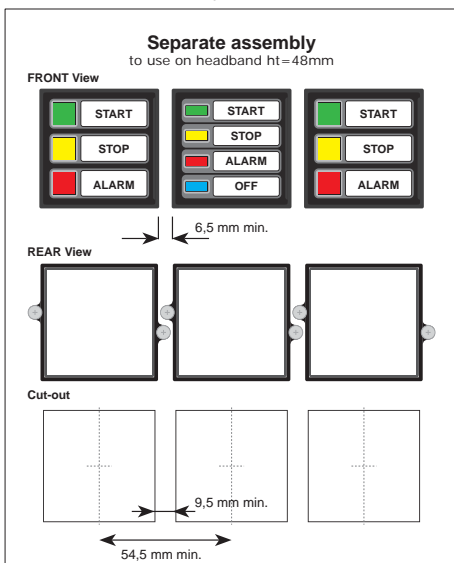
ASSEMBLY :



Use on headband ht=48mm (1U)
(special box).



Possibility of rotating bracket through 90°



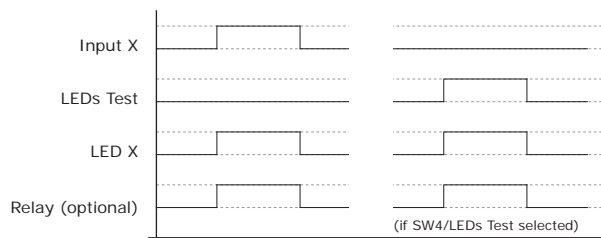
It is recommended that a 3 mm gap should be left between boxes. This cut-out interval is not essential, but it ensures cabinet front face sealing.

OPERATION :

- Closing the switch connected to the input, lights up corresponding LED.
- Opening the switch connected to the input, turns off the corresponding LED.
- A «LEDs Test» terminal allows the lighting up of all the PAN35/PAN45 LEDs connected to an external push button.

Remote relay option PAN35-02-113 :

Selector num.	COMMAND
1	Channel 1 activates relay
2	Channel 2 activates relay
3	Channel 3 activates relay
4	«LEDs test» function activates «LEDs test» + relay

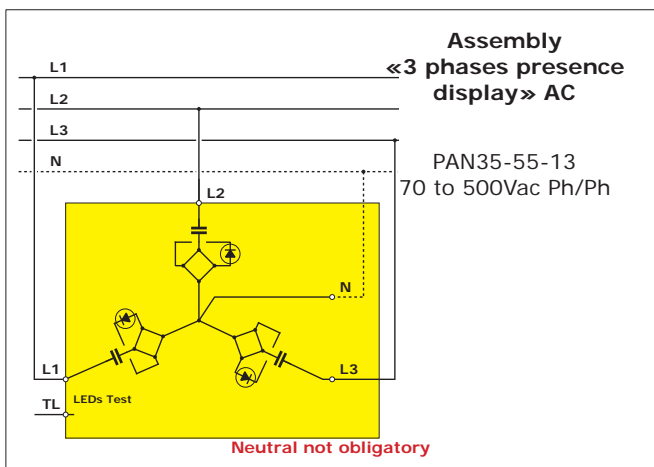
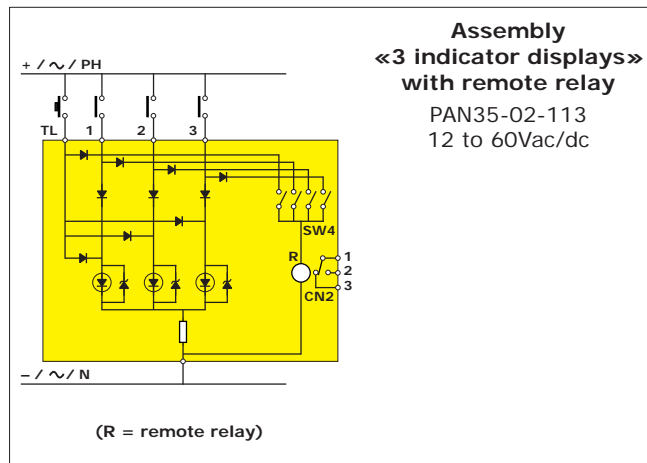
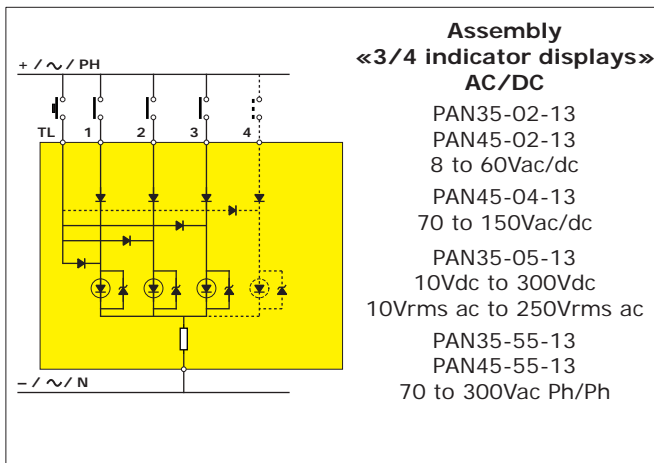


The remote relay allow to send a presence information of one or several indicators.

A switch SW4 allow to select inputs to send.

The 4 position of switch allows to test or not the relay.

POSSIBLE CONNECTIONS :



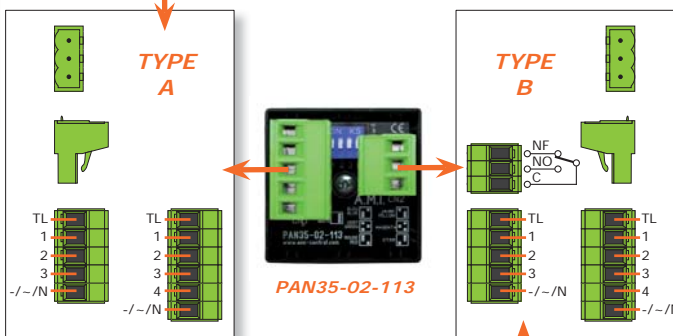
Using Neutral ensures better luminosity by using low voltage.

CHARACTERISTICS :

Box	Polycarbonat Front face, case of polyamide PA66 30gf.
Colour	Black
Facade sealing	IP65
Flame resistance	UL94 class V2
Surface insulation	10 ¹⁵ Ohms/cm
Storage temperature	-20°C / +70°C
Working temperature	-20°C / +60°C
Working humidity	90% without condensation
Storage humidity	70%
Weight	55g
Packaging	Box of 20 units

CONNECTIONS :

Connection to the left : Type A

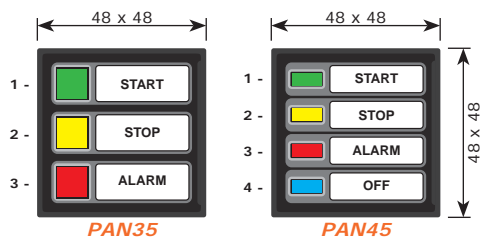


Connection to the right : Type B

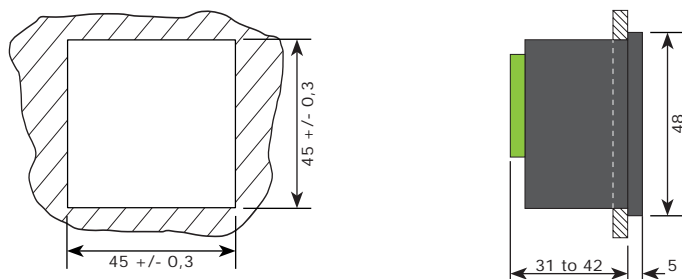


FRONT FACE :

Numbering system



CUT-OUT :

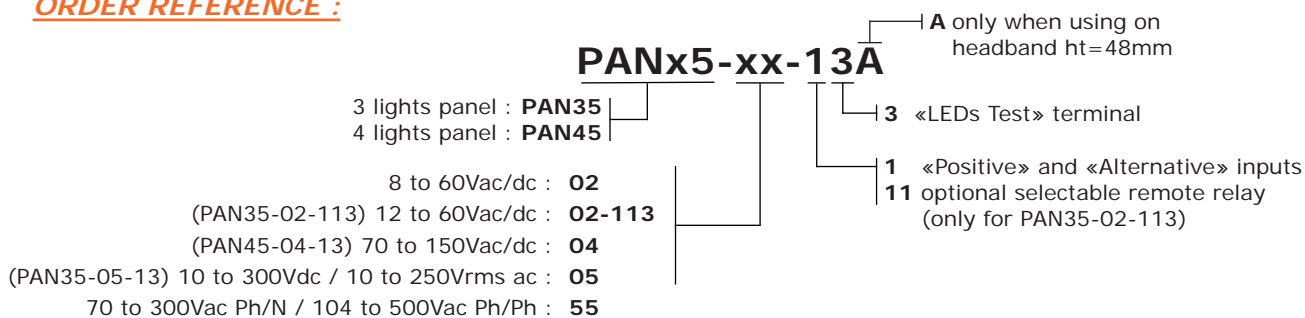


ELECTRICAL CHARACTERISTICS :

	PAN35-02-13 PAN35-02-113 PAN45-02-13	PAN45-04-13	PAN35-55-13 PAN45-55-13	PAN35-05-13
Working voltage	8-60Vac/dc (12-60Vac/dc version 113)	70-150Vac/dc	70-300Vac Ph/N 104-500Vac Ph/Ph	10-300Vdc 10Vrms ac-250Vrms ac (A slight luminous change can appear around the 24Vdc unit) The PAN35-05-13 should not be connected to power supplies that have voltage peaks greater than 400V.
Display	Tri-LEDs, by LED, 7 possible colours per selector.			
Consumption	10mA max per path.	6mA max per path.	3mA max per path.	0.5-5mA max per path, depending the supply value.
Internal circuit	Transistor and over-voltage protection by Zener.		By 2 capacitors + discharge resistors.	LEDs are driven by Integrated Controller.
Protection	Resettable thermal	Resettable thermal	Resettable thermal	Fuse
Optional remote relay (PAN35-02-113)	1RT 6A/12Vdc - 0,15A/240Vac			
Depth	31 mm (42mm version 113)	42 mm	42 mm	31 mm

ORDER REFERENCE :

PANx5-xx-13A



COMPLEMENTARY PRODUCTS :



Mounting in wall cabinet or built-in with 1, 2 or 3 locations.

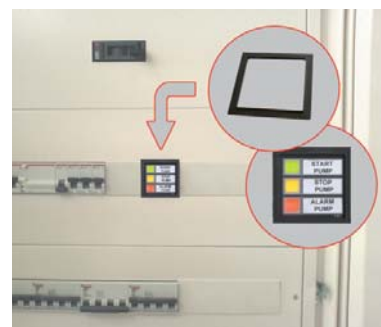
Reference : **MJ1900-01-02**

Mounting in association with modular systems :

A adaptator plate allows the PAN35/PAN45 to be mounted on cabinet doors for modular switches or circuit-breakers. It is mounted as a flange ring like a common spacer.

Dimensions : 56x56mm.
Deliverable in 10 unit bags.

Reference : **M0817**



Please refer to **ACCESSORIES** chapter from our catalogue.

A.M.I.