

LL3-DH02

LL3

FIBER-OPTIC SENSORS AND FIBERS

SICK
Sensor Intelligence.



Ordering information

Type	Part no.
LL3-DH02	5308092

Detailed technical data

Features

Device type	Fibers
Detection principle	Proximity system
For fiber-optic sensor	WLL190T-2, WLL180T, WLL170-2 / WLL170T-2, WLL160(T)
Fiber length	2,000 mm
Core material	PC
Sleeve material	Stainless steel ¹⁾
Jacket material	PVC
Mounting sleeve dimension	M6
Diameter, connection	2.2 mm
Fiber-optic cable cuttable	✓ ²⁾
Minimal object diameter	0.015 mm ³⁾
Category fiber-optic cables	Heat-resistant, Threaded sleeve
Core structure	2 x : Ø 1,0 mm ⁴⁾
High temperature	✓
Thread sleeve	✓
Bend radius, fibre-optic cable	25 mm
Heat resistance	+100 °C
Ambient operating temperature	-40 °C ... +100 °C
Special features	Special applications: temperature-resistant up to 100 °C

¹⁾ Stainless steel.

²⁾ FC fiber optic cable cutter included in delivery.

³⁾ Minimum detectable object was determined at optimum measuring distance and optimum setting.

⁴⁾ C = Coaxial, S = Sender, E = Receiver.

Sensing ranges with WLL170-2

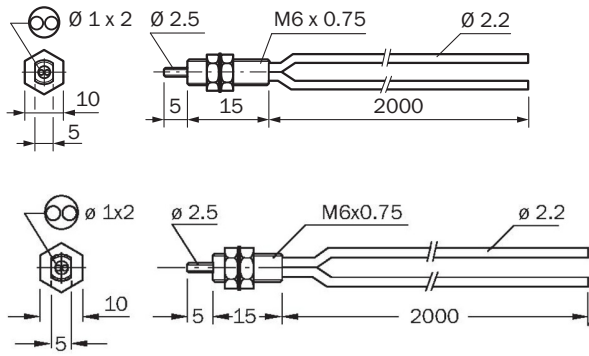
Redlight 250 µs	125 mm
Greenlight 250 µs	8 mm
Highspeed 50 µs	45 mm

Sensing ranges with WLL180T

Operating mode 16 µs	70 mm
Operating mode 70 µs	230 mm
Operating mode 250 µs	350 mm
Operating mode 2 ms	600 mm
Operating mode 8 ms	1,000 mm



Dimensional drawing (Dimensions in mm (inch))

LL3-DH02



Recommended accessories

Other models and accessories → www.sick.de/LL3

	Brief description	Type	Part no.
Other mounting accessories			
	Adapter sleeve for fibers LL3 Ø 1.0 mm, included with delivery of LL3	BF-WLL160-10	5305479
	Adapter sleeve for fibers LL3 Ø 1.3 mm, included with delivery of LL3	BF-WLL160-13	5306094

SICK AT A GLANCE

SICK is one of the leading manufacturers of intelligent sensors and sensor solutions for industrial applications. A unique range of products and services creates the perfect basis for controlling processes securely and efficiently, protecting individuals from accidents and preventing damage to the environment.

We have extensive experience in a wide range of industries and understand their processes and requirements. With intelligent sensors, we can deliver exactly what our customers need. In application centers in Europe, Asia and North America, system solutions are tested and optimized in accordance with customer specifications. All this makes us a reliable supplier and development partner.

Comprehensive services complete our offering: SICK LifeTime Services provide support throughout the machine life cycle and ensure safety and productivity.