



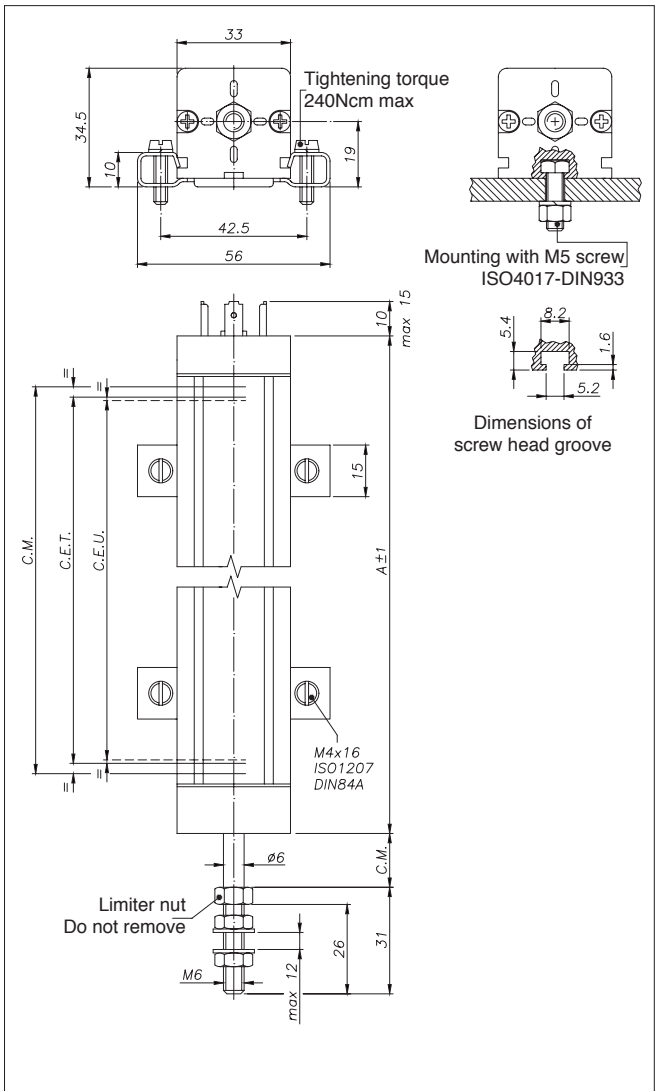
Main features

- The transducer has been improved in order to guarantee greater reliability under all conditions
- A sturdier structure makes the LT series even stronger for applications with heavy vibration
- Installation is made simpler by the absence of electrical signal variation in output, outside the Theoretical Electrical Stroke
- The new grooves provide an excellent alternative to the usual system of fastening with brackets
- Ideal for applications on plastic injection presses, vertical presses, and on many other processing machines

TECHNICAL DATA

Useful electrical stroke (C.E.U.)	50/75/100/130/150/175/200/225/275/300/ 350/375/400/450/500/600/650/750/900
Independent linearity (within C.E.U.)	± 0.05%
Resolution	Infinite
Repeatability	0.01 mm
Electrical connections	LTM 4-pole connector DIN43650 LTH 3-pole connector LTB 5-pole connector DIN43322 LTF 1 meter 3-pole shielded cable
Displacement speed	Standard ≤ 10 m/s
Protection level	IP60 (IP65 on request)
Life	> 25x10 ⁶ m strokes, or > 100x10 ⁶ maneuvers, whichever is less (within C.E.U.)
Displacement force	3,5N (typical) IP60 version 15N (typical) IP65 version
Vibrations	5...2000Hz, A _{max} = 0.75 mm a _{max} = 20 g
Shock	50 g, 11ms.
Acceleration	200 m/s ² max (20g)
Tolerance on resistance	± 20%
Recommended cursor current	< 0.1 μA
Maximum cursor current	10mA
Maximum applicable voltage	60V
Electrical isolation	>100MΩ at 500V~, 1bar, 2s
Dielectric strength	< 100μA at 500V~, 50Hz, 2s, 1bar
Dissipation at 40°C (0W at 120°C)	3W
Thermal coefficient of resistance	-200...+ 200 ppm/°C typical
Actual Temperature Coefficient of the output voltage	≤ 5 ppm/°C typical
Working temperature	-30...+100°C
Storage temperature	-50...+120°C
Material for transducer case	Anodised aluminium Nylon 66 G
Material for pull shaft	Stainless steel AISI 303
Mounting	Brackets with adjustable distance between centers or with M5 screw ISO4017-DIN933

MECHANICAL DIMENSIONS



Important: all the data reported in the catalogue linearity, lifetime, temperature coefficient are valid for a sensor utilization as a ratiometric device with a max current across the cursor $I_c \leq 0.1 \mu A$

ELECTRICAL / MECHANICAL DATA

MODEL		50	75	100	130	150	175	200	225	275	300	350	375	400	450	500	600	650	750	900
Useful electric stroke (C.E.U.) +3/-0	mm	50	75	100	130	150	175	200	225	275	300	350	375	400	450	500	600	650	750	900
Theoretical electrical stroke (C.E.T.) ±1	mm	C.E.U. + 3						C.E.U. + 4				355	380	406	457	508	609	660	762	914
Resistance (C.E.T.)	kΩ	5						5				5	5	5	5	5	5	5	10	10
Mechanical stroke (C.M.)	mm	C.E.U. + 9						C.E.U. + 10				361	386	412	463	518	619	670	772	924
Case length (A)	mm	C.E.U. + 63						C.E.U. + 64				415	440	466	517	572	673	725	826	978

ELECTRICAL CONNECTIONS

Connector output

Cable output

- 3 (+) blue
- 2 yellow
- 1 (-) brown

Connection side

LTM Output

LTH Output

LTB Output

LTF Output

• INSTALLATION INSTRUCTIONS

- Make the specified electrical connections (DO NOT use the transducer as a variable resistance)
- When calibrating the transducer, be careful to set the stroke so that the output does not drop below 1% or rise above 99% of the voltage level.

ORDER CODE

Displacement transducer	LT																															
4-pole connector output DIN43650 ISO4400	M																															
3-pole connector output	H																															
5-pole connector output DIN43322	B																															
3-pole PVC cable output 3x0,25 1m	F																															

Model																																	
IP60 version	S																																
IP65 version	P																																

No certificate attached	0
Linearity curve to be attached	L
Cable length: 1 m	0
Cable length: 2 m	2
Cable length: 3 m	3
Other lengths on request	---
Color of plastic heads (green)	0
Color of plastic heads (black)	N

Example: **LT - M - 0300 - S 000X000X00**
 LT displacement transducer, 4-pole connector output DIN43650 - ISO 4400, useful electrical stroke (C.E.U.) 300mm. IP60 protection, no certificate attached, green plastic components.

ACCESSORIES

STANDARD	Code
LT mounting kit, 2 brackets, screws	PKIT009
ON REQUEST	Code
LTM 4-pole 90° radial female connector DIN43650 IP65 PG9 clamp for Ø6-Ø8mm cable	CON006
LTH 3-pole axial female connector IP40 clamp for Ø4-Ø6mm cable	CON002
LTB 5-pole axial female connector DIN43322 IP40 clamp for Ø4-Ø6mm cable	CON011
LTB 5-pole axial female connector DIN43322IP65 PG7 clamp for Ø4-Ø6mm cable	CON012
LTB 5-pole 90° radial female connector DIN43322 IP40 clamp for Ø4-Ø6mm cable	CON013
Ball connection joint	PKIT015

GEFRAN spa reserves the right to make any kind of design or functional modification at any moment without prior notice