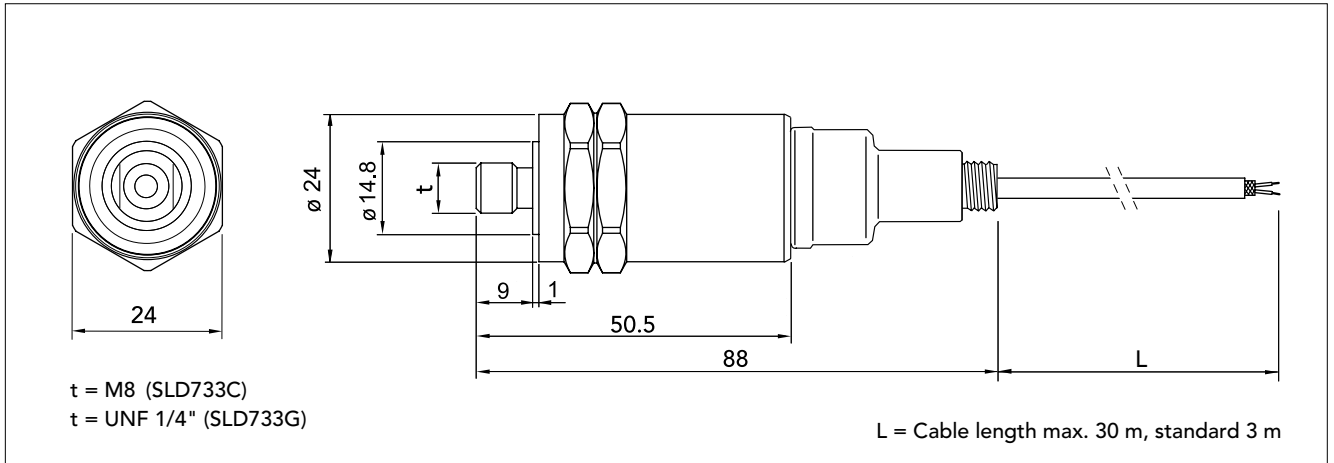


4-20 mA Vibration Transmitter SLD733 C/G



The 4-20 mA vibration transmitters are piezo-electric accelerometers of compression type and provide a 4-20 mA output signal proportional to the true RMS value of vibration velocity. The transmitters can be connected to common process control systems (PLC, DCS). The electrical signal is isolated from the transmitter housing. The transmitters operates by using power from a standard 4-20 mA loop.

The transmitter is mounted against a smooth, flat surface on the machine. Standard thread size is M8 or UNF 1/4"-28. The transmitter has an integral cable (shielded, twisted pair) for connection to the measuring device.

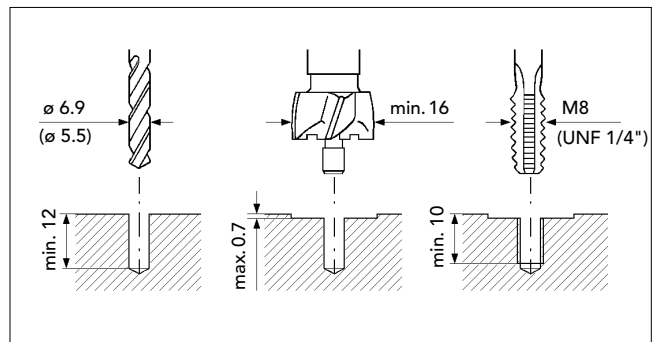
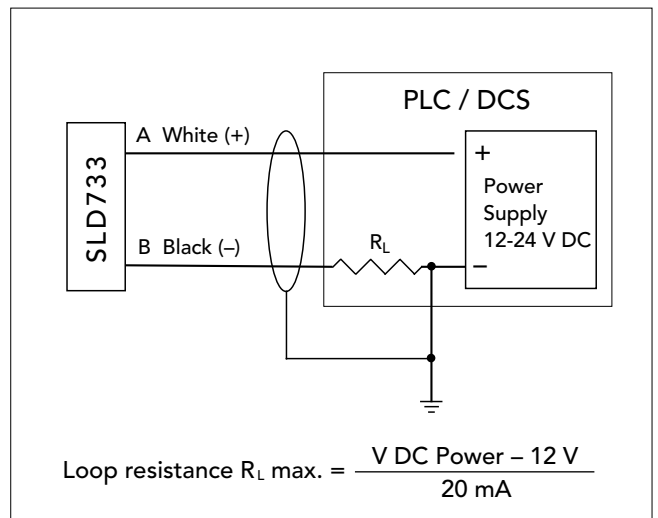
Technical data

Output signal:	4 to 20 mA
Measuring range:	0 to 25 mm/s (0 to 1 in/s)
Frequency range:	10 to 1000 Hz
Turn on time, 4-20 mA loop:	< 60 seconds
Transverse sensitivity	< 10%
Power requirements:	12 to 24 V DC
Loop resistance at 24 VDC:	R _L max. 600Ω
Casing material:	stainless acid proof steel
Operating temperature:	-40 to 85 °C (-40 to 185 °F)
Sealing:	IP 67
Isolation:	case isolated, > 1 Mohm
Integral cable:	PUR
Cable length:	max. 30 m (98 ft), standard 3 m (10 ft))
Torque limit:	10 Nm (7.4 lbf·ft)
Weight:	115 grams (4 oz)

Part numbers

- SLD733C Transmitter, M8, cable length 3 m
- SLD733G Transmitter, UNF 1/4", cable length 3 m
- SLD733C-L Transmitter, M8, optional cable length*
- SLD733G-L Transmitter, UNF 1/4", optional cable length*

* L= Desired cable length in meters, max. 30 m.



Mounting tools

- 81027 Holder for counterbore
- 81057 Counterbore, diameter 20 mm
- 81030 Pilot for UNF 1/4"
- 81031 Pilot for M8

To drill the mounting hole, use drill bit 6.9 mm (M8) or 5.5 mm (UNF 1/4"-28). Torque the transmitter with a 24 mm torque wrench.