



GESTRA® Float Traps
UNA 23, PN 16
UNA 25, PN 40
UNA 26, PN 40



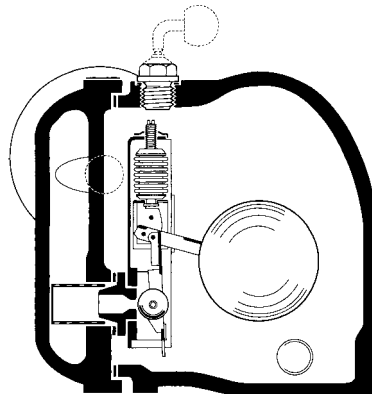
Issue Date: 7/01

Steam Traps
PN 16 and PN 40
DN 15–50 mm
(1/2"–2")

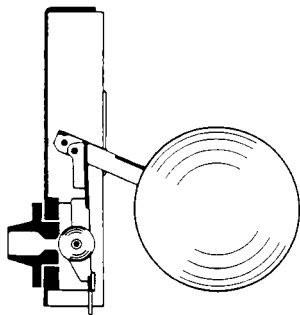
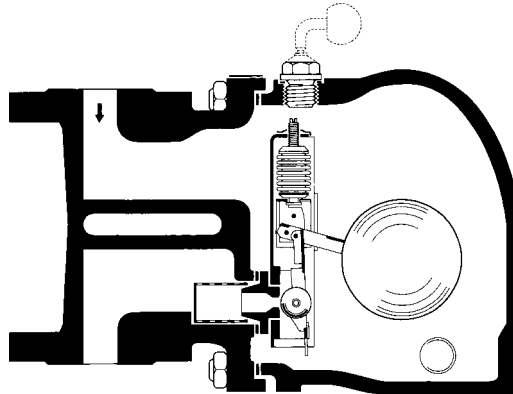
A1

UNA 23, UNA 25, UNA 26

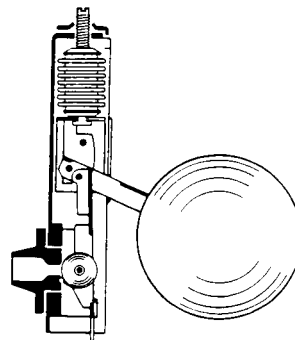
UNA 23 h, UNA 25 h, UNA 26 h (horizontal)
 for horizontal installation



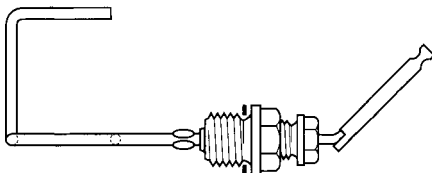
UNA 23 v, UNA 25 v, UNA 26 v (vertical)
 for vertical installation



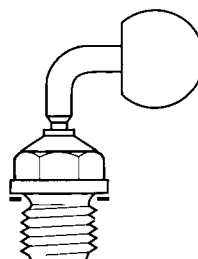
Control unit Simplex
 (without thermostatic bellows)



Control unit Duplex
 (with thermostatic bellows
 for automatic air-venting)



Float lifting lever
 (on request)



Hand vent valve
 (standard for Simplex design)

Description

Ball float traps with rolling ball valve and Duplex control (thermostatic bellows for automatic air-venting) for draining large condensate flowrates from steam systems.

With Simplex control (without bellows) and hand-vent valve for the discharge of cold condensate or distillates and for draining superheated steam, gas or compressed-air lines.

UNA 2...h for horizontal lines
 UNA 2...v for vertical lines.

Body with flanged cover. After removing the cover the control unit is easily accessible without removing the trap from the line.

On request:
 Float lifting lever
 Sightglass cover (only for UNA 23, PN 16)
 Hand vent valve for traps with Duplex control

Pressure/Temperature Rating

	UNA 23 PN 16		UNA 25 PN 40			UNA 26 PN 40	
Max. service pressure [barg]	16	13	38	32	25	40	32
PMA [psig]	232	189	550	465	360	580	464
Max. temperature [°C]	120	300	120	250	350	120	250
[°F]	248	572	248	482	662	248	482
Max. differential pressure (inlet pressure minus outlet pressure) [barg]	13 (8, 4, or 2)		32 (22, 13, 8, 4, or 2)				
ΔPMX [psig]	189 (116, 58, 29)		465 (319, 189, 116, 58, 29)				
Max. temperature for design with sightglass cover*) [°C]	240						
[°F]	464						

*) Please note: pH values above 9 and temperatures exceeding 200 °C (392 °F) may reduce the life of the sightglass.

Connections

- UNA 23 h and UNA 23 v
Flanges to EN 1092-2, form B
- UNA 25 h and UNA 25 v
Flanges to DIN 2545, form C
- UNA 26 h and 26 v
Flanges to DIN 2545, form C
- UNA 26 h
Flanges to ASME B 16.5
150 RF or 300 RF

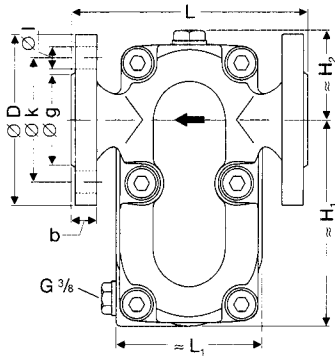
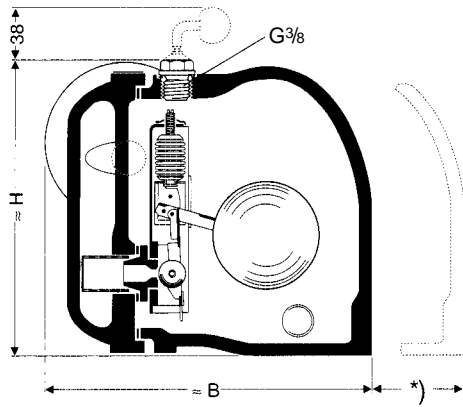
Socket-weld ends
 Butt-weld ends
 Screwed sockets to BSP or NPT



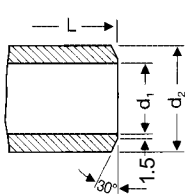
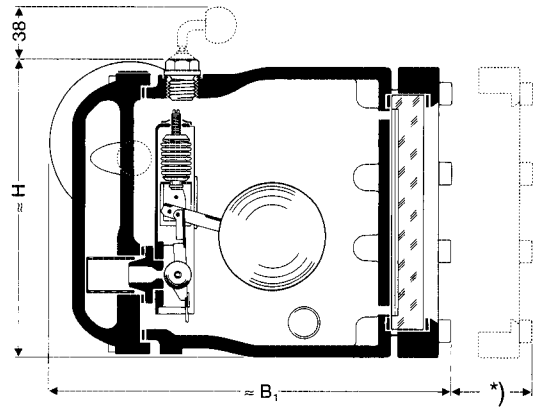
The products meet the requirement of the EC Pressure Equipment Directive (PED) No. 97/23. DN 40/50 with CE marking. DN 15-25 is excluded from the scope of the PED and **not entitled** to bear the marking.

Dimensions and Weights UNA 23 h, UNA 25 h, UNA 26 h

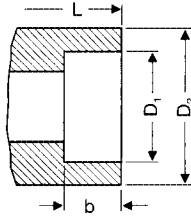
with closed cover



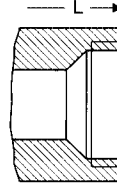
with sightglass cover (only UNA 23, PN 16)



Butt-weld ends (UNA 26 h)



Socket-weld ends (UNA 26 h)



Screwed sockets (UNA 26 h)

*) Space required for opening trap
 DN 15 – 25 ≈ 130 mm
 DN 40 + 50 ≈ 200 mm

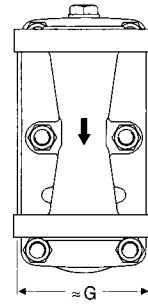
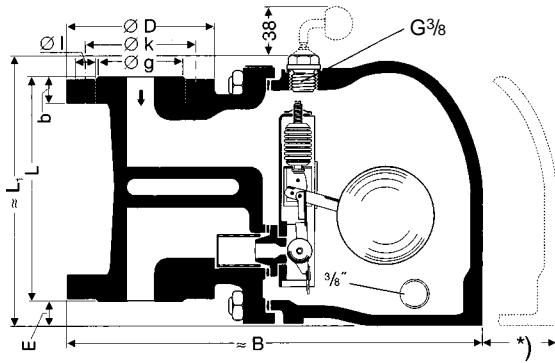
Nominal sizes DN		[mm]	15	20	25	40	50	
		[inch]	½	¾	1	1½	2	
Overall length [mm]	all types flanged to DIN	L ¹⁾	150	150	160	230	230	
	flanged to ASME	L ²⁾	210	210	230	320	320	
	UNA 26 h	Butt-weld ends	L ³⁾	200	200	200	230	230
		Socket-weld ends	L	200	200	200	230	230
		Screwed sockets	L	200	200	200	255	255
Dimensions [mm]		L ₁	94	94	94	154	154	
		B	187	192	197	294	302	
		B ₁	232	237	242	341	349	
		H	184	184	184	318	318	
		H ₁	126	126	126	219	219	
		H ₂	58	58	58	99	99	
UNA 26 h	Socket-weld end	D ₂	35	40	45	62	73	
		D ₁	22	27.5	34.3	49	61.5	
		b	10	13	13	13	16	
	Butt-weld ends	d ₂ ³⁾	22	28	34	54	67	
		d ₁	17	22	28,5	43	54	
		for pipe		21.3x2	26.9x2.3	33.7x2.6	48.3x2.6	60.3x3.2
Weight UNA 23 h [kg]	with closed cover		9	9.5	10	29	30	
	with sightglass cover		11	11.5	12	34.5	35.5	
Weight UNA 25 h, UNA 26 h		[kg]	9.5	10	10.5	30	31	

1) Face-to-face dimensions to DIN EN 26554 (ISO 6554) series 1
 2) Face-to-face dimensions to DIN EN 26554 (ISO 6554) series 3
 3) Butt-weld ends to DIN EN 12627-R1, weld joint geometry to DIN 2559, code number 22

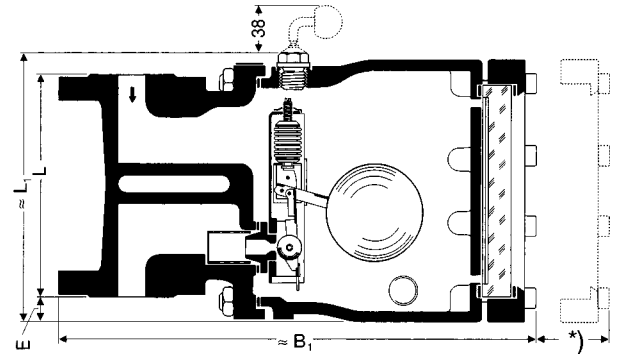
Flange dimensions in [mm] to DIN 2545/EN 1092-2		DN	15	20	25	40	50
UNA 23 h and v UNA 25/26 h and v	D	95	105	115	150	165	
	b	14	16	16	18	20	
	b	16	18	18	18	20	
	k	65	75	85	110	125	
	g	45	58	68	88	102	
	l	14	14	14	18	18	
Number of bolts			4	4	4	4	4

Dimensions and Weights UNA 23 v, UNA 25 v, UNA 26 v

with closed cover



with sightglass cover (only UNA 23, PN 16)



Nominal sizes DN	[mm]	15	20	25	40	50
	[inch]	½	¾	1	1½	2
Overall lengths in [mm] with flanges to DIN	L ¹⁾	150	150	160	230	230
Dimensions in [mm]	L ₁	184	184	184	318	318
	B	267	272	227	403	411
	B ₁	310	315	320	451	459
	E	18	18	13	42	42
	G	94	94	94	154	154
Weight UNA 23 v [kg]	with closed cover	8.5	9	10	30	31
	with sightglass cover	10.5	11	12	35.5	36.5
Weight UNA 25 v, UNA 26 v	[kg]	9	9.5	10.5	31	32

1) Face-to-face dimensions to DIN EN 26554 (ISO 6554), series 1

Materials			New DIN designation		Old DIN designation		ASTM equivalent ⁴⁾	
			Short designation	Number	Short designation	Number		
Body	UNA 23		EN-GJL-250	EN-JL 1040	GG-25	0.6025	A 126 Cl.B	
	UNA 25		EN-GJS-400-18-LT	EN-JS 1025	GGG-40.3	0.7043	FGS 370-17	
	UNA 26 h	DN 15–25			C 22.8	1.0460/	A 105	
	UNA 26 h	DN 40 + 50		GP 240 GH	1.0619	GS-C 25	1.0619	A 216 WCB
	UNA 26 v			GP 240 GH	1.0619	GS-C 25	1.0619	A 216 WCB
Cover	UNA 23		EN-GJL-250	EN-JL 1040	GG-25	0.0625	A 126 Cl.B	
	UNA 25		EN-GJS-400-18-LT	EN-JS 1025	GGG-40.3	0.7043	FGS 370-17	
	UNA 26		GP 240 GH	1.0619	GS-C 25	1.0619	A 216 WCB	
Bolts		DN 15–25 (h)			24 CrMo 5	1.7258	A 193 B 16	
		DN 15–25 (v)			21 CrMoV 57	1.7709	A 193 B 16	
	UNA 23	DN 40 + 50			5.6-2			
	UNA 25, 26	DN 40 + 50			21 CrMoV 57	1.7709	A 193 B 16	
Nuts		DN 15–25 (v)			24 CrMo 5	1.7258	A 193 B 16	
	UNA 23	DN 40 + 50			5.2			
	UNA 25, 26	DN 40 + 50			24 CrMo 5	1.7258	A 193 B 16	
Seat					X 8CrNiS 18-9	1.4305	AISI 303	
Ball valve					X 6CrNiMoTi 17-12-2	1.4571	AISI 316 Ti	
Ball float					X 6CrNiMoTi 17-12-2	1.4571	AISI 316 Ti	
Bellows					X 6CrNiTi 18-10	1.4541	A 182 F 321	
Other internals					X 5CrNi 18-10	1.4301	A 182 F 304	
Body and seat gasket					Graphite CrNi			

4) Physical and chemical properties comply with DIN grade. ASTM nearest equivalent grade is stated for guidance only.

A₁

Steam Traps
PN 16 and PN 40
DN 15–50 mm
(1/2"–2")

UNA 23, UNA 25, UNA 26



GESTRA GmbH



Flow Control Division

Capacity Chart

The chart shows the maximum capacities of hot condensate for the range of orifices and sizes available for the float-controlled traps. The cold water capacities are: Capacity of hot condensate multiplied by factor F.

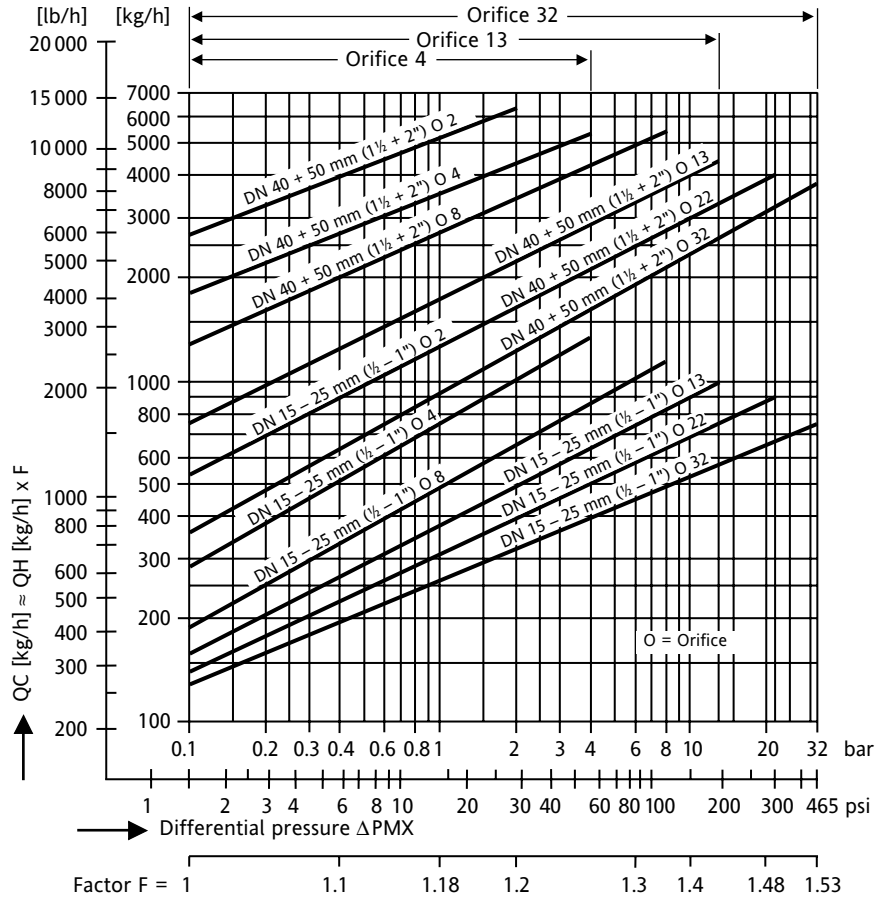
The capacities are dependent on the differential pressure (working pressure). The differential pressure is the difference between inlet and outlet pressures and depends among other things on the run of the pipeline. If the condensate downstream of the trap is lifted, the differential pressure is reduced by approximately 1 bar for 7 m (or 2 psi for 3 feet) in lift.

The maximum admissible differential pressure is dependent on the cross-sectional area of the orifice and the density of the fluid to be discharged.

The standard designs of the traps are available for the following maximum differential pressures:

- UNA 23: up to 2, 4, 8 or 13 bar.
- UNA 25/26: up to 2, 4, 8, 13, 22 or 32 bar.

Orifice	DN 15–25 mm (1/2"–1")	
	k _v -value [m ³ /h]	Ø of bore [mm]
Orifice 2	1.5	8
Orifice 4	0.9	6
Orifice 8	0.58	4.8
Orifice 13	0.44	4.1
Orifice 22	0.38	3.5
Orifice 32	0.31	3
DN 40 + 50 mm (1 1/2" + 2")		
Orifice 2	6	15
Orifice 4	4.1	12.5
Orifice 8	3.2	10
Orifice 13	2.1	8.5
Orifice 22	1.5	7
Orifice 32	1.1	6.5



When ordering please state:

Inlet pressure, outlet pressure, quantity of condensate to be discharged, design, size and desired orifice, position of trap and details of application.

The following test certificates can be issued on request, at extra cost:

In accordance with EN 10204-2.2 for UNA 23. For UNA 25 and UNA 26 also 3.1A, 3.1B and 3.1C.

All inspection requirements have to be stated with the order. After supply of the equipment certification cannot be established.

For test and inspection charges please consult us.

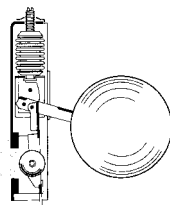
Supply in accordance with our general terms of business.

Technical modifications reserved.

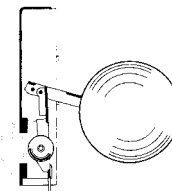
Spare Parts

Item no.	Designation	Ref. no.		
		DN 15–25	DN 40 + 50	
M	Seat gasket*) DN 15–25: 18.5 x 35 x 1, DN 40+50: 27 x 40 x 1	560 489	560 490	
C	Control unit Simplex including seat gasket M , two socket-head screws K and cover gasket D , without seat	560 079	560 094	
G	Control unit Duplex up to 13 barg (185 psig), otherwise as above	560 080	560 095	
G	Control unit Duplex above 13 barg (185 psig), otherwise as above	560 081	560 096	
D	Cover gasket	560 491	560 492	
L	Seat including gasket M and two socket-head screws K	Orifice 32	560 045	560 951
		Orifice 22	560 044	560 050
		Orifice 13	560 043	560 049
		Orifice 8	560 042	560 048
		Orifice 4	560 041	560 047
		Orifice 2	560 040	560 046

*) Kit consisting of 20 items



Control unit Duplex **G**
(without seat)



Control unit Simplex **C**
(without seat)

