



Pure performance

STEADY™ 1300 SERIES

Steady[™]
a xylem brand



Available

EASY TO SELECT, QUICK DELIVERY, THE RIGHT PUMP FOR YOUR NEEDS

Outstanding Value

EFFICIENT, POWERFUL

Reliable

SOLIDS HANDLING, CONTINUOUS RUNNING

Readily available pure performance pumps

The Steady™ 1300 series is a range of submersible pumps that deliver pure performance at outstanding value.

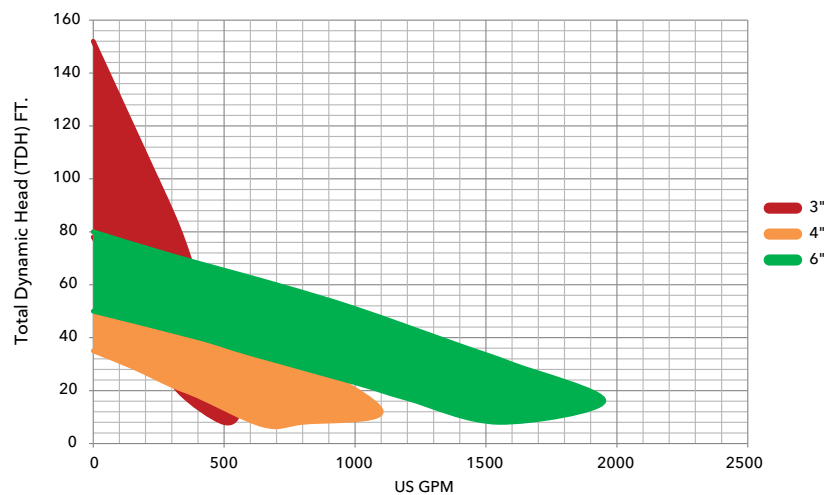
Combining performance and quality in a convenient, economic package, the Steady 1300 series ensures the smooth running and profitability of your operation. Which is why Steady is the ideal pump for sewage and surface wastewater within municipal applications.

Moreover, Steady makes your choice of pump easy - it only requires three straightforward steps. We have the right pump for your needs, readily available to support your business.

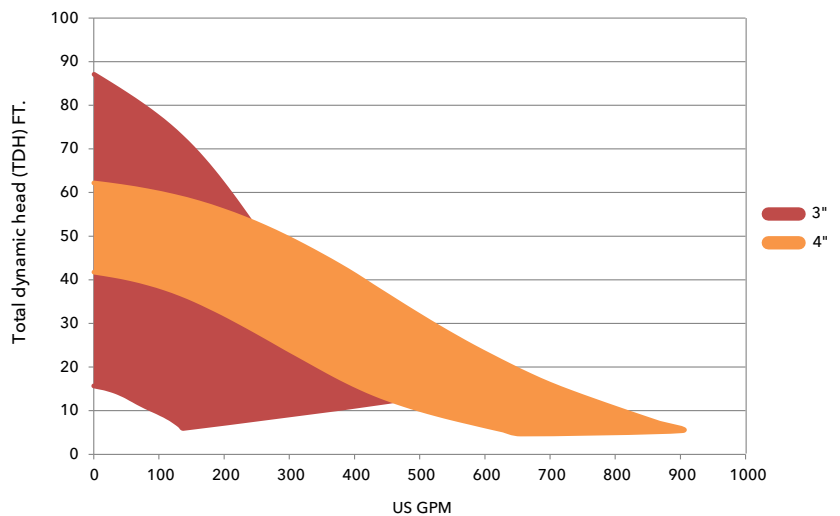
The Steady 1300 series is based on technology developed and tested in tough environments throughout the world. That's why you can count on these pumps for trouble-free, reliable operation.

The hydraulic design of the pumps has been proven to reduce clogging and maintain efficiency. These pumps simply work - and keep on working. Day in, day out, and under harsh conditions, they won't let you down—they're Steady.

Steady Non-Clog Performance



Steady Vortex Performance



Tough to beat

Robust

Components are made from robust materials for long life and easy maintenance.

Powerful

Motor is specifically designed for reliable operation in submersible applications. It can run continuously without overheating - a true workhorse.

Durable

Heavy-duty bearings with long life provide peace of mind.

Environmentally friendly

Cooling system is designed to use the surrounding media to cool the pump, rather than environmentally hazardous fluids.

Safe and straightforward

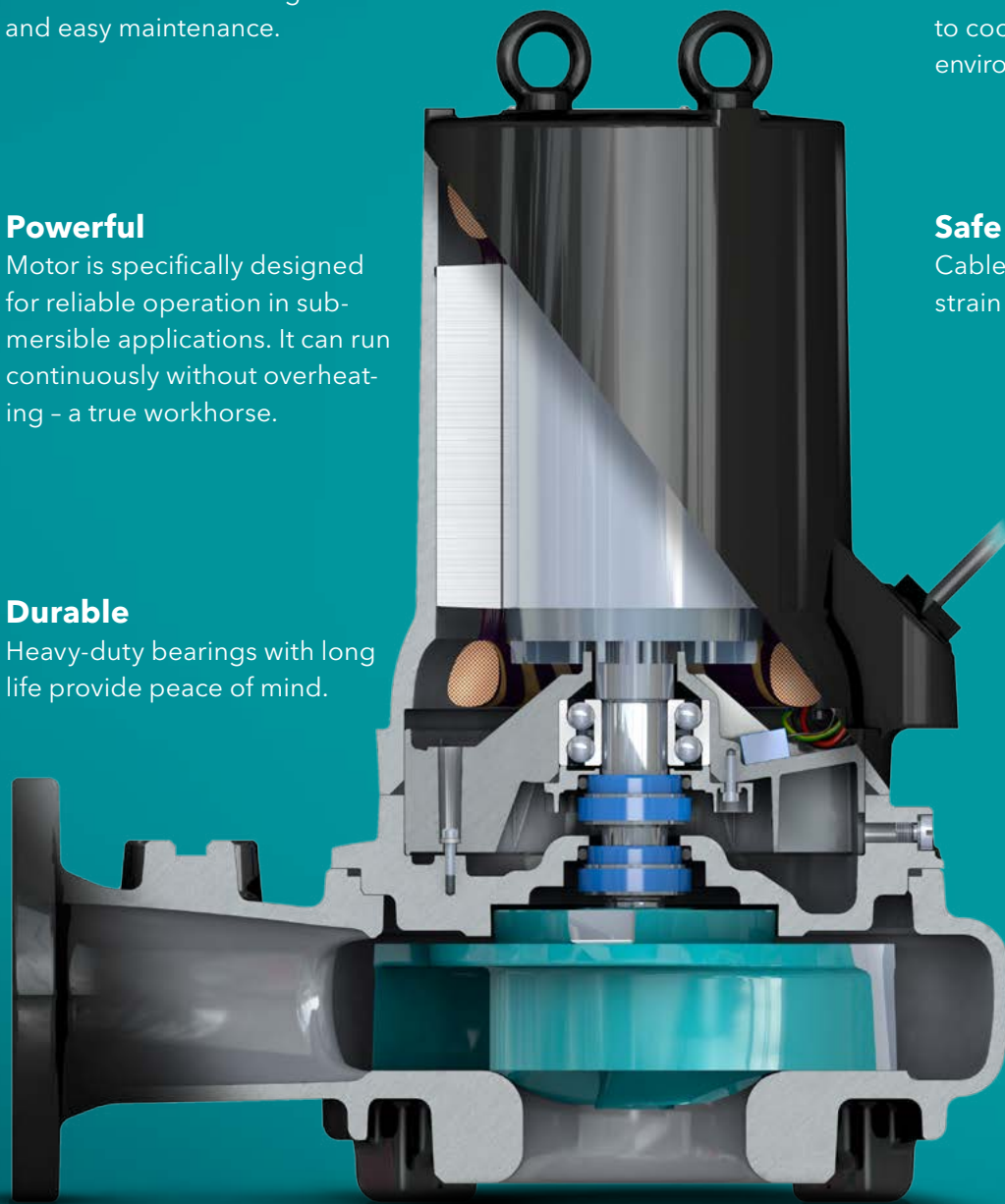
Cable entry prevents both cable strain and leakage.

Smooth

The double mechanical seal provides extra reliability and protects against leakage.

Flexible

Drilled pump housing, ready for any installation method.



Available Outstanding Value Reliable



Steady 1315 Non-clog

Horsepower: 3.1-6.5 HP
RPM: 1750/3500
Max flow: 870 gpm
Max pressure: 180' TDH
Outlet 3-4"
Weight 210-265 lb.

Steady 1320 Non-clog

Horsepower: 4.7-11 HP
RPM: 1750/3500
Max flow: 1125 gpm
Max pressure: 153' TDH
Outlet 3-4"
Weight 309-353 lb.

Steady 1325 Non-clog

Horsepower 10.3-20 HP
RPM: 1750
Max flow: 1970 gpm
Max pressure: 80' TDH
Outlet 6"
Weight 706 lb.

Steady 1315 Vortex

Horsepower: 3.1-6.5 HP
RPM: 3500
Max flow: 675 gpm
Max pressure: 41' TDH
Outlet 3-4"
Weight 188-239 lb.

Steady 1320 Vortex

Horsepower: 6-11 HP
RPM: 3500
Max flow: 890 gpm
Max pressure: 87' TDH
Outlet 3-4"
Weight 287-388 lb.

With a variety of model and Steady 1300 impeller combinations, it's easy to find a pump for your needs. The optimized impeller design ensures efficient solids handling capability, smooth operation, and increased savings from reduced maintenance costs and lower energy consumption.

All pumps in the series feature an air-filled motor, designed for reliable operation in submersible applications. The motors have F-class insulation, which allows for continuous running without overheating, ensuring optimal cooling and long lifetime.

Additionally, the pumps can handle 15 starts per hour without problem.

These pumps are available as standard with ANSI flanges for simple installation. Permanent kits are available.

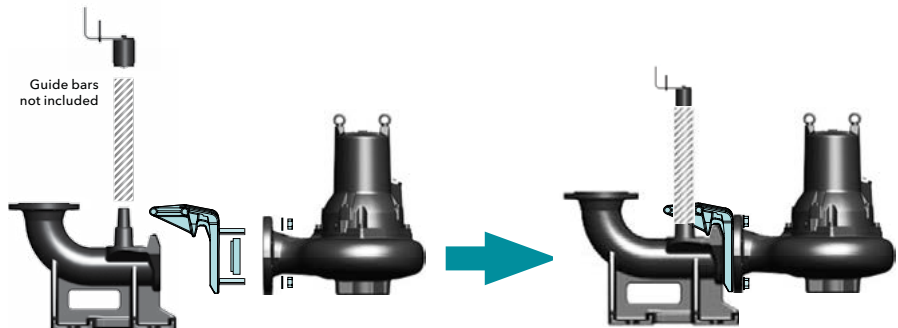
Application areas

Municipal:

- Domestic sewage pumping stations
- Wastewater pumping stations
- Retention basins
- Storm water pumping stations

Installation methods and accessory kits

The Steady 1300 series is designed to fit your needs. You start with a bare pump and order the right kit depending on your desired installation method.



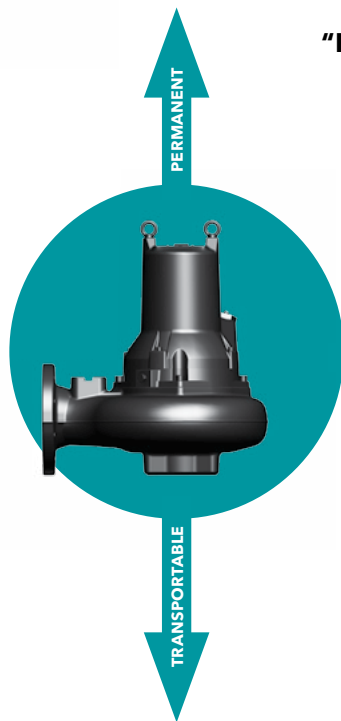
"P" Installation

Wet-well Installation Kit

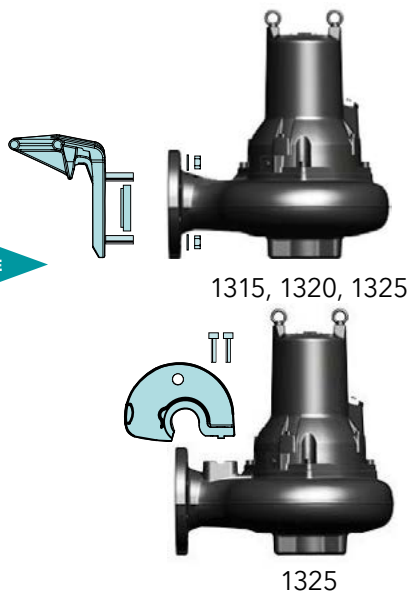
The pump is installed with twin guide bars on a discharge connection.

Kit contents:

- Upper guide bar bracket with bolts
- Discharge connection
- Anchor bolts
- Sliding bracket kit that includes: Sliding bracket, seal ring, studs, nuts, bolts & washers



UPGRADE



Replacement kit

Simple kit to replace an old pump or upgrade to a larger model

Kit contents:

- Sliding bracket, seal ring, studs, nuts & washers (1315, 1320, 1325)
- Sliding bracket & 4 bolts (1325 medium head pump)



"S" Installation

Free-standing kit

Ideal for portability

Kit contents:

- Hose connection with gasket, bolts, nuts & washers
- Stand with screws & washers

Maintenance & repair

Prolong the lifetime of your Steady pump by utilizing our maintenance and repair kits. We have packaged everything you need into kits, making it even easier for you to overhaul the motor, replace a cable or impeller.



Steady cable kit

The cable and cable entry are crucial components to keep the motor running and free of water. The Steady cable kit provides all parts needed to replace a cable and make the job as easy as possible.

Kit contents:

- Cable
- Cable sleeve unit
- Cable end-splice and lug



Steady motor kit

The Steady Motor kit contains all the critical parts needed to perform an overhaul of the motor.

Kit contents:

- Bearings
- Mechanical seals
- O-rings



Steady impeller kit

It is important that the impeller is in good condition to ensure reliability and good performance. The Steady impeller kit contains all parts needed to replace an impeller, including the adjustable sleeve, making it easy to mount the impeller in the optimal position.

Kit contents:

- Impeller
- Impeller sleeve/ key
- Screw and washer

Xylem ['zīləm]

- 1) The tissue in plants that brings water upward from the roots;
- 2) a leading global water technology company.

We're 12,000 people unified in a common purpose: creating innovative solutions to meet our world's water needs. Developing new technologies that will improve the way water is used, conserved, and re-used in the future is central to our work. We move, treat, analyze, and return water to the environment, and we help people use water efficiently, in their homes, buildings, factories and farms. In more than 150 countries, we have strong, long-standing relationships with customers who know us for our powerful combination of leading product brands and applications expertise, backed by a legacy of innovation.

For more information on how Xylem can help you, go to www.xyleminc.com

Steady[™]

xylem
Let's Solve Water