

MAXITROL

Gas Filters

and for other applications such as air
 1/2", 3/4", 1", 1 1/4", 1 1/2", 2" NPT or ISO 7-1



Maxitrol filters are suitable for application in natural, manufactured, mixed gases, liquefied petroleum gases and LP gas-air mixture piping systems.

Changes to the NFPA (National Fire Protection Association) 86 Standard require a gas filter or strainer be installed in the fuel gas supply line, on new oven and furnace installations.

The filters are tested according to DIN 3386 and have DIN/DVGW approval. The filters are approved according to European Gas Appliance Directive 90/396/EG, Pressure Equipment Directive 97/23/E, the Russian GOST, and the Hungarian MBVTI requirements. Filters with NPT threads are not covered by European certification.

Unique filter matting effectively separates dust. The matting has an extremely high capacity for accumulated dust due to its wide filtering surface and depth effect. The material will not allow particulate infiltration over 0.05mm (50 microns). The inserts are quick and easy to replace.

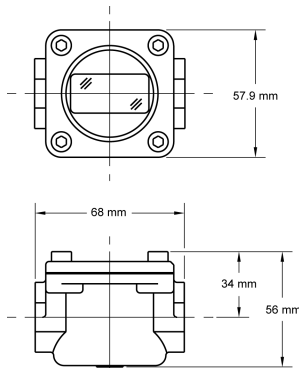
The filter housing's compact size allows for easy original equipment installation or retrofitting.

Pipe Size	NPT Model	ISO 7-1 Model
1/2"	GF40-1-44	GF40M-1-44
3/4"	GF60-1-66	GF60M-1-66
1"	GF60-1-88	GF60M-1-88
1-1/4"	GF80-1-1010	GF80M-1-1010
1-1/2"	GF80-1-1212	GF80M-1-1212
2"	GF80-1-1616	GF80M-1-1616

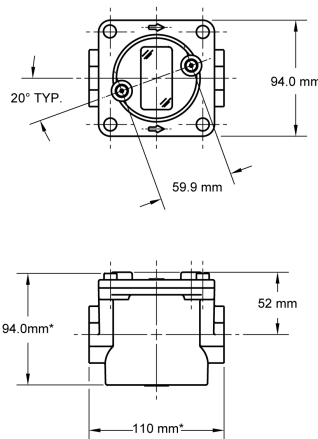
Specifications

- Housing's are made of durable cast aluminum
- Filter matting consists of polypropylene impregnated fleece
- Rp or Rc thread (parallel or taper) dimensions according to ISO 7-1. NPT thread according to ANSI.
- Maximum operating inlet pressure: 15 psi (1 bar)
- Ambient temperature limit: 175° F (80° C)

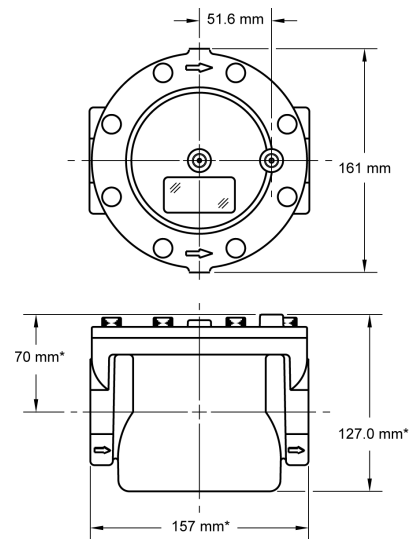
GF40 models



GF60 models



GF80 models



* Dimensions (inches/millimeters) are maximums and are to be used only as an aid in designing clearance for the filter. Actual production dimensions may vary somewhat from those shown.

Installation and Service

Maxitrol filters are suitable for multipoise mounting. (Preferably with the lid facing down or to the side.) Install the filter properly with gas flowing as indicated by the arrow on the casting. It is also important to leave sufficient space above the cover to allow for removal in order to change the filter insert.

Frequency of filter insert maintenance is dependent upon both the maximum operating pressure of your equipment application, and the associated pressure drop at the filter. Although, it is recommended that the filter insert be replaced at least once a year. See the adjoining pressure drop chart.

Shut off all gas before servicing the filter insert. When loosening the screws secure the cover, proceed slowly in case of any residual gas pressure. Remove the cover and withdraw the filter insert.

Replace the filter insert with the side imprinted 'Austritt' (outlet) facing the outlet. Inspect the o-ring and replace if necessary. To ensure an effective seal, place the filter insert so that it abuts correctly in relation to the flanges and base of the housing. The filter insert should not extend into the area between the o-ring and cover - slightly bend down the corners of the matting to prevent o-ring obstruction. Replace the cover and tighten the screws.

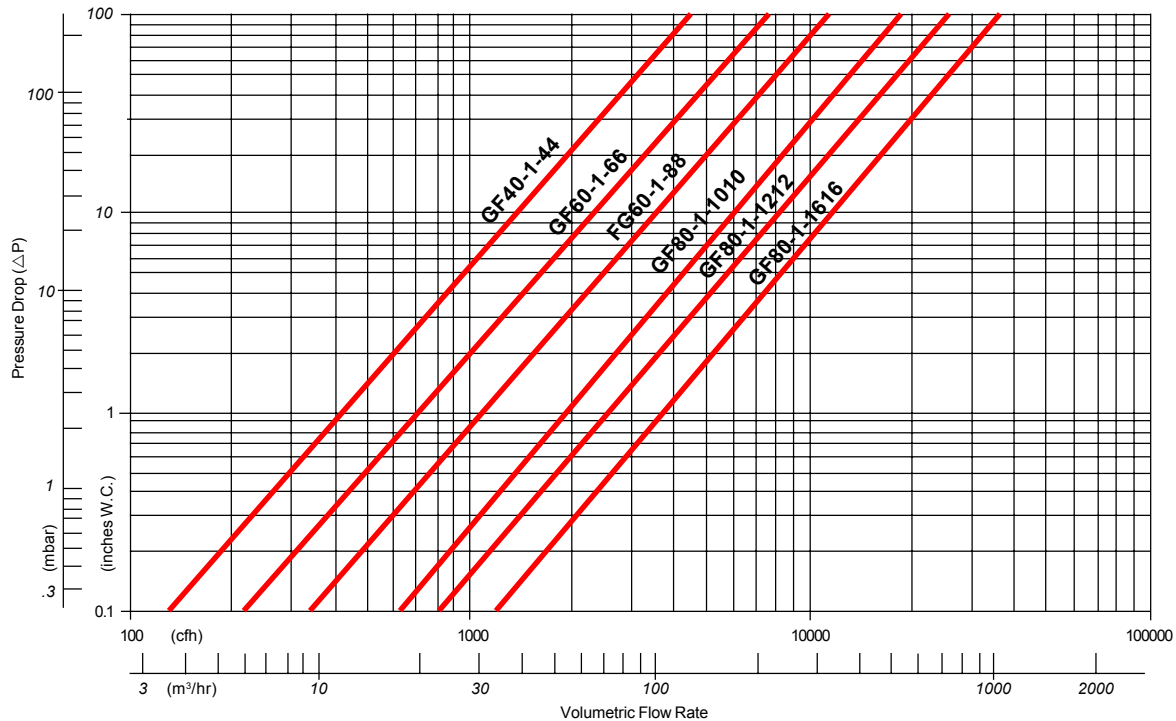
Check carefully for gas leaks immediately after the filter has been installed or serviced and the gas turned on. Do this before attempting to operate the appliance or other gas-fired device. Use a rich liquid soap solution or other accepted leak tester on the area between the cover and housing, and at the pipe connections. Never use if leakage is detected.

Filter Replacement Material

Replacement filter matting material is available.
 GF40 models - part number 101706-1
 GF60 models - part number 101706-2
 GF80 models - part number 101706-3

Pipe Size	NPT Model	ISO 7-1 Model
1/2"	GF40-1-44	GF40M-1-44
3/4"	GF60-1-66	GF60M-1-66
1"	GF60-1-88	GF60M-1-88
1-1/4"	GF80-1-1010	GF80M-1-1010
1-1/2"	GF80-1-1212	GF80M-1-1212
2"	GF80-1-1616	GF80M-1-1616

Pressure Drop Curves (0.64 sp gr gas)



MAXITROL