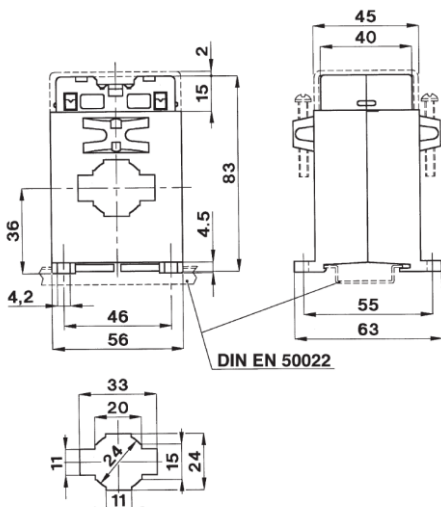
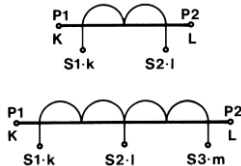
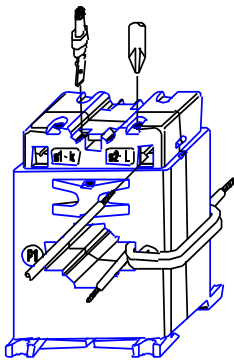


TAC32

Current Transformer 56mm Width suitable for 35mm DIN Rail designed for Busbar 30x10mm



TECHNICAL DATA

break-proof plastic housing with
integrated terminal cover
self-extinguishing
insulation
protection
frequency
current limiting factor
thermal short-term current
dynamic short-term current
storage temperature
operating temperature
weight

UL94-V0
class E
IP 20
50...60Hz
FS 5
 $I_{th}=40I_n$
 $I_{dyn}=2,5 \times I_{th}$
-40...+80°C
-25...+50°C
0,25...0,30kg

Order Code	sec. 5A	burden	burden	burden
	primary	class 0,5	class 1,0	class 3,0
TAC032100-05	100A	1VA	2VA	3VA
TAC032150-05	150A	2,5VA	3VA	5VA
TAC032200-05	200A	3VA	5VA	8VA
TAC032250-05	250A	4VA	7VA	10VA
TAC032300-05	300A	6VA	10VA	12VA
TAC032400-05	400A	10VA	12VA	12VA
TAC032500-05	500A	12VA	15VA	15VA
TAC032600-05	600A	12VA	15VA	15VA

Order Code	sec. 1A	burden	burden	burden
	primary	class 0,5	class 1,0	class 3,0
TAC032100-01	100A	1VA	2VA	3VA
TAC032150-01	150A	2,5VA	3VA	5VA
TAC032200-01	200A	3VA	5VA	8VA
TAC032250-01	250A	4VA	7VA	10VA
TAC032300-01	300A	6VA	10VA	12VA
TAC032400-01	400A	10VA	12VA	12VA
TAC032500-01	500A	12VA	15VA	15VA
TAC032600-01	600A	12VA	15VA	15VA

Special Options

- Tropical Design
- Frequency 400Hz
- Special current measuring ranges (on demand)