



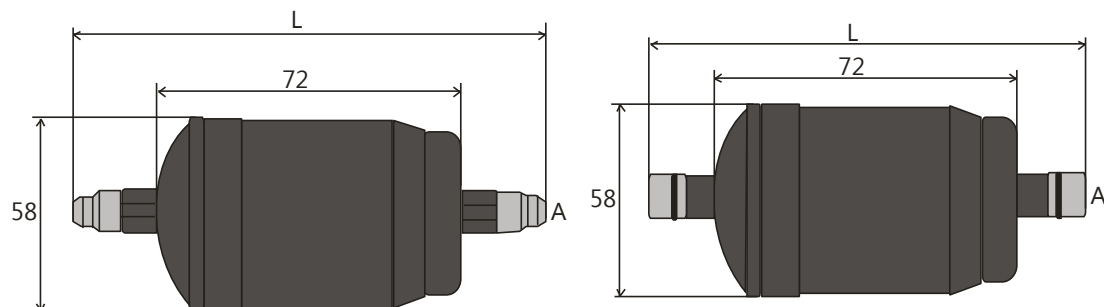
DO – Oil Filter

DO-Oil Filter: The compact solution for operating pressure of 31 bar.	Features: <ul style="list-style-type: none"> • Several Connections • Powder painted for excellent corrosion protection • Mesh size 0,15 mm
--	--

Pressure Equipment Directive 97/23EC	Art. 3.3 of PED	Media compatibility	HFC, HCFC, Mineral-, Synthetic- and POE lubricant
Applied Standards	EN 378/-1/-2, EN 14276-1, EN 1593, EN 1779	Material/Connection	Housing: Steel Steel nickel plated
Pressure range:	Max. op. pressure PS: 31 bar Test pressure PT: 34,1 bar	Temperature-range	31 bar: -10°C to 75°C 23 bar: -35°C to 75°C

Type	P/N	Description	Connection (A)	Length L (mm)	Weight (g)
DO-053	16600	Oil Filter	3/8" SAE	127	305
DO-054	16601		1/2" SAE	135	330
DO-053S	16602		3/8" ODF	123	290
DO-054S	16603		1/2" ODF	131	292

Dimension



DEKA Controls will not accept responsibility for possible errors in Technical literature and other printed material. DEKA Controls reserves the right to change his products without notice. This applies also to products already on order provided that such changes can be made without sub sequential changes being necessary in specifications already agreed.

