

CAT. No.

79230X45

SURFACE MOUNT 2 GANG METAL BOX AND COVER. ACCEPTS 45mmX45mm & 22.5mmX45mm SIZE MODULAR DEVICES. GROUNDING TERMINAL, 20mm CONDUIT KNOCKOUTS. GRAY.

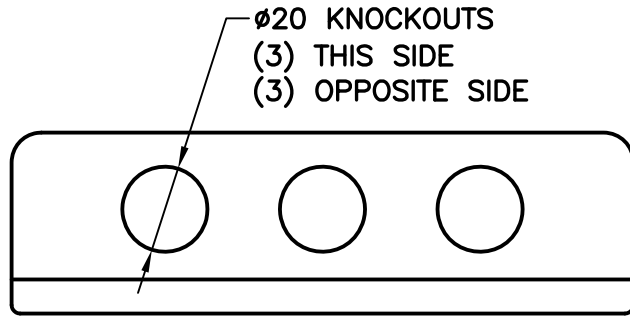
CERTIFICATIONS

CE

NOTE: NOT FOR USE WITH OUTLETS, SOCKETS #685041X45, 685042X45, 70100X45-IT.

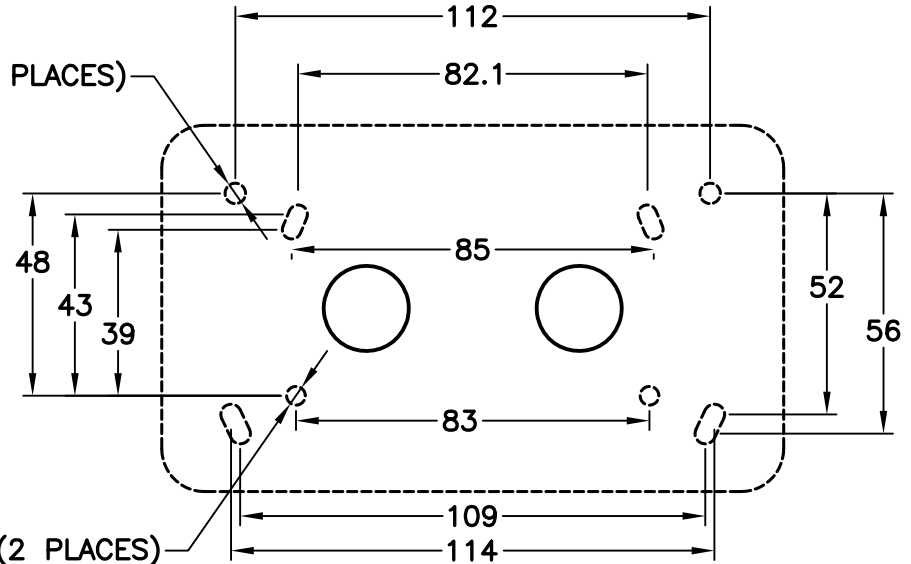
NOTE: CONDUIT KNOCKOUTS LOCATED ON THE BASE OF THE UNIT MAY NOT BE SUITABLE FOR USE WITH SOME DEVICE INSTALLATIONS. THE DEPTH OF THE DEVICE AFTER INSTALLED INTO THE BOX MAY INTERFERE WITH LOCKNUTS USED TO SECURE THE CONDUIT.

ALL DIMENSIONS ARE IN MILLIMETERS

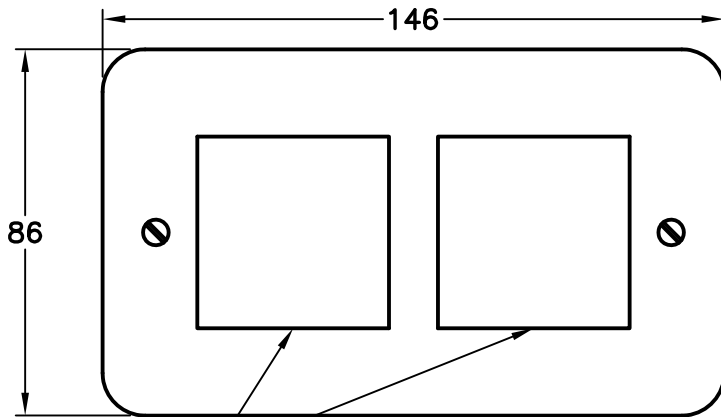


TOP VIEW

Ø4.8 (2 PLACES)



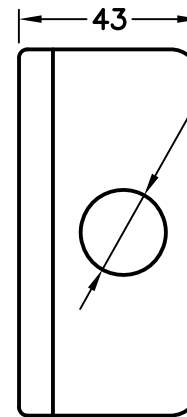
MOUNTING DIMENSIONS & BASE VIEW



OPENING
45mmX45mm

FRONT VIEW

Ø4.4 (2 PLACES)



SIDE VIEW

Ø20 KNOCKOUTS
(1) THIS SIDE
(1) OPPOSITE SIDE

(2) Ø20 KNOCKOUTS
BOTTOM/BASE OF BOX

NOTE: CONDUIT KNOCKOUTS LOCATED ON THE BASE OF THE UNIT MAY NOT BE SUITABLE FOR USE WITH SOME DEVICE INSTALLATIONS. THE DEPTH OF THE DEVICE AFTER INSTALLED INTO THE BOX MAY INTERFERE WITH LOCKNUTS USED TO SECURE THE CONDUIT.