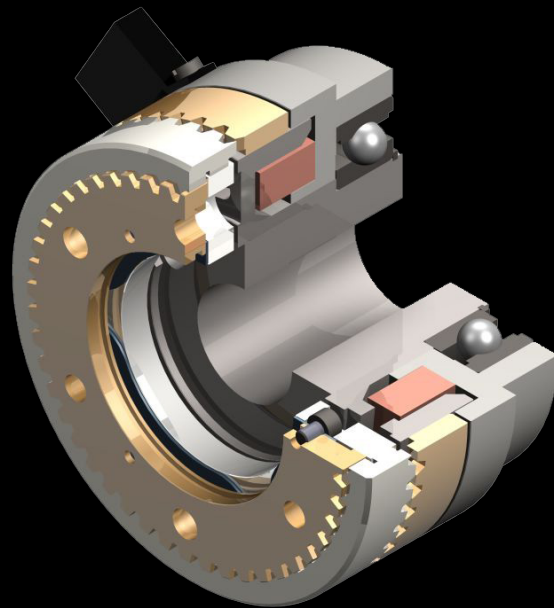


Mönninghoff

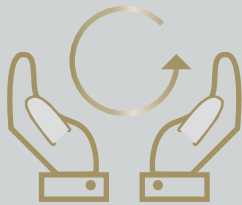
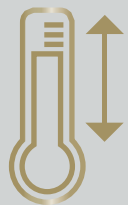
Electromagnetic tooth clutch Type 546



Electromagnetic tooth clutch - Type 546

Characteristics and features

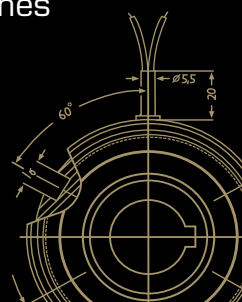
- high torque transfer despite compact dimensions
- positive-locking transmission of torque without slip
- engageable also at low relative speed
- high range of temperatures
- easy control via direct current
- anti-magnetic toothing for optimized magnetic flux
- application-related customized tooth geometries
- short cycle times
- oil running or dry running
- also available as torque limiter
- synchronized switching with fixed engagement positions
- uncompromizing need for safety and reliability
- integrated, easy-to-assemble system solution
- condition monitoring on demand
- plug-and-play design available



Mönninghoff power transmission represents an infinite variant diversity that is applied by all areas of modern mechanical engineering.

Our technologies are mostly designed to operate under extreme conditions. We offer high precision products for medical robotics, fail-proof security for aerospace technology or synchronization solutions for the packaging or printing industry.

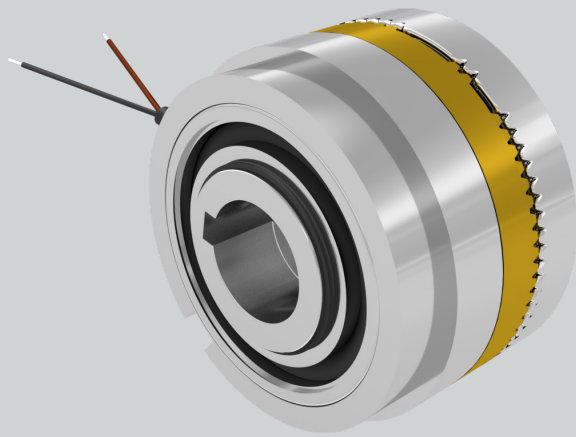
We thus address customers who have the highest standards for their own machines or systems. To them, we can offer highly complex, application-specific solutions.



Electromagnetic tooth clutch - Type 546

Match code

Mönninghoff tooth clutches are indicated by the following match code:



546 . A . B . C

- A** clutch size
- B** design of stator
- C** design of armature

Other individual characteristics:

- tothing geometries
- voltage
- bore size with keyway

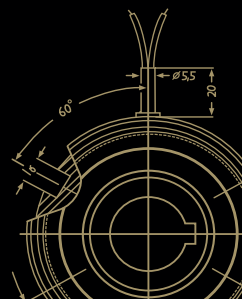
According to these characteristics, we design individual solutions concerning transmitted torque, engaging behavior or rotation speed.

Our engineers can assist with finding an application-specific clutch at any time. Together, we can develop individual and innovative solutions for extreme operating conditions.

Ordering example

Mönninghoff tooth clutch
Type 546.15.1.4

Tothing	saw teeth clockwise, single position
Voltage	24 Vdc
Bore size d	25 mm H7, keyway acc. to DIN 6885/1



Electromagnetic tooth clutch - Type 546

Clutch size

When dimensioning a Mönninghoff tooth clutch, several technical preconditions should be considered:

- for the selection of the right size, not only the peak load but also the dynamic behavior of the drive have to be taken into account
- tooth clutches - contrary to friction clutches - must never be overloaded and safety factors must be considered
- generally, the selection of the right clutch is based on torque:

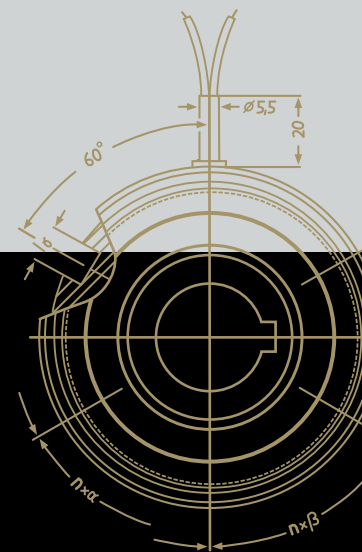
$$M = 9550 \frac{P}{n} \cdot K \text{ [Nm]}$$

$$M = (M_L + M_B) \cdot K \text{ [Nm]}$$

- the transmittable torque of the clutch must always be higher than the largest possible occurring torque:

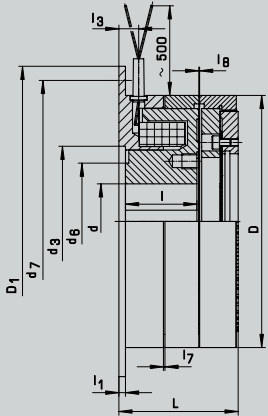
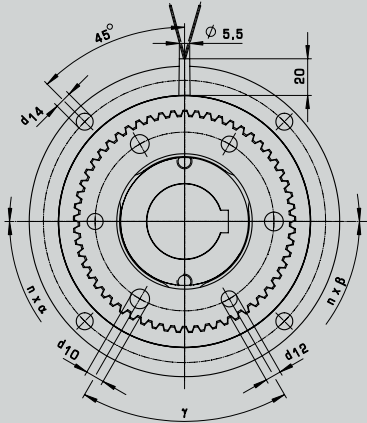
$$\text{Requirement } M_{\ddot{U}} > M$$

- P = power of motor [kW]
 n = rotating speed [min^{-1}]
 K = safety factor 1,5 ... 2,5
 M = required torque
 M_L = load torque
 M_B = acceleration torque
 $M_{\ddot{U}}$ = nominal torque of clutch (see enclosed chart)

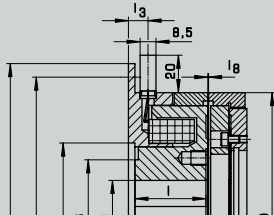
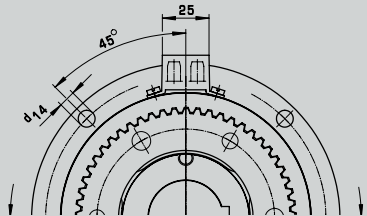


Electromagnetic tooth clutch - Type 546

Design of stator 1 & 2, flange mounted



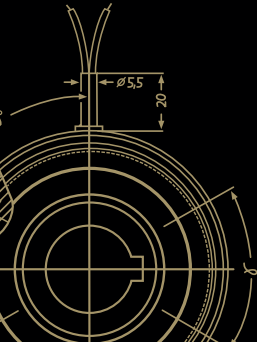
Type 1:
with flying leads



Type 2:
with plug and socket

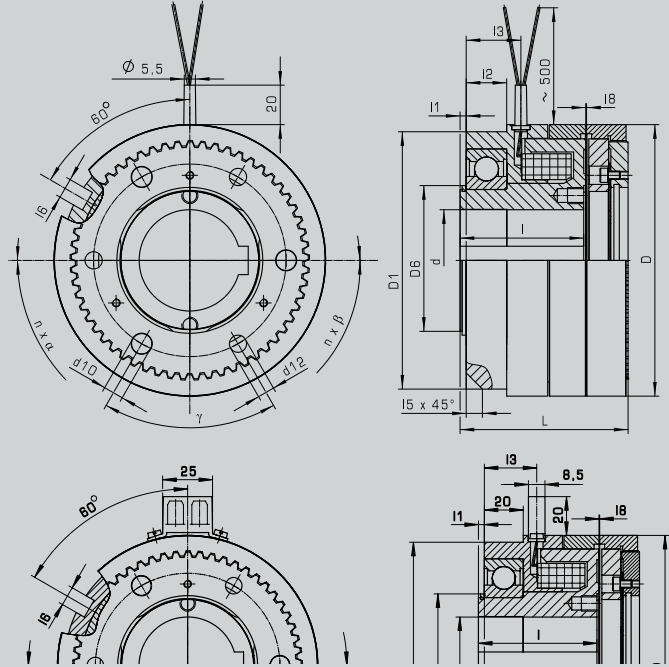
Technical data of flange mounted types

Size		12	13	15	21	23	25	31	32
torque	M_0 [Nm]	20	25	50	100	250	500	1000	2200
max. speed	n [min ⁻¹]	4800	4500	4500	4000	3500	3500	3000	3000
input power	P_{20} [W]	13	19	21	27	36	57	80	114
inertia	rotor	0,065	0,14	0,35	0,81	1,92	4,46	10,3	25,7
	armature 4 & 5	0,06	0,12	0,37	0,52	1,85	4,51	12,8	29,2
inertia	rotor	—	0,14	0,35	0,81	1,92	4,46	10,3	25,7
	armature 6 & 7	—	0,13	0,62	1,25	3,58	7,33	17,86	45,89
total weight	armature 4 & 5	0,43	0,81	1,41	2,25	3,34	5,7	9,63	13,2
	armature 6 & 7	—	0,88	1,56	2,5	3,76	6,17	10,22	14,61
number of teeth	standard	200	220	260	290	280	250	195	186
	saw	25	30	36	36	38	40	40	40
min. bore, keyway acc. to DIN 6885/1	d H7	10	10	15	20	25	30	40	50
max. bore, keyway acc. to DIN 6885/-		15	20/2	25	35	42	50	70	80
dimensions	D	57	67	82	95	114	134	166	195
	D ₁	70	85	100	125	140	165	195	230
	d ₃ H8	26	35	42	52	62	80	100	125
	d ₆	22	23	30	40	45	62	77	100
	d ₇	63,5	76	92	112	125	150	180	215
	d ₁₄	3,3	4,5	5,5	6,6	6,6	9	9	9
	L	32,5	36,5	41,5	48,5	53	63,5	72	86
	l _{0,1}	21,5	24,5	26	27,5	30,5	38	40,5	52
	l ₁	2	2	2,5	3	3,5	3,5	4	4
	l ₃	6,5	6,7	8	8,5	11	10,5	13	18,5
	l ₇ ± 0,1	0,8	0,5	0,5	0,8	0,8	0,8	0,8	1,0
	l ₈ ± 0,1	0,2	0,3	0,3	0,4	0,4	0,4	0,5	0,5



Electromagnetic tooth clutch - Type 546

Design of stator 3 & 4, bearing mounted

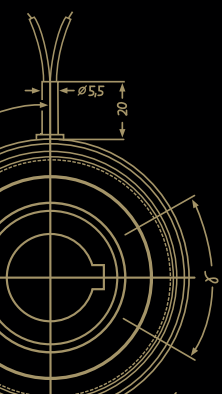


Type 3:
with flying leads

Type 4:
with plug and socket

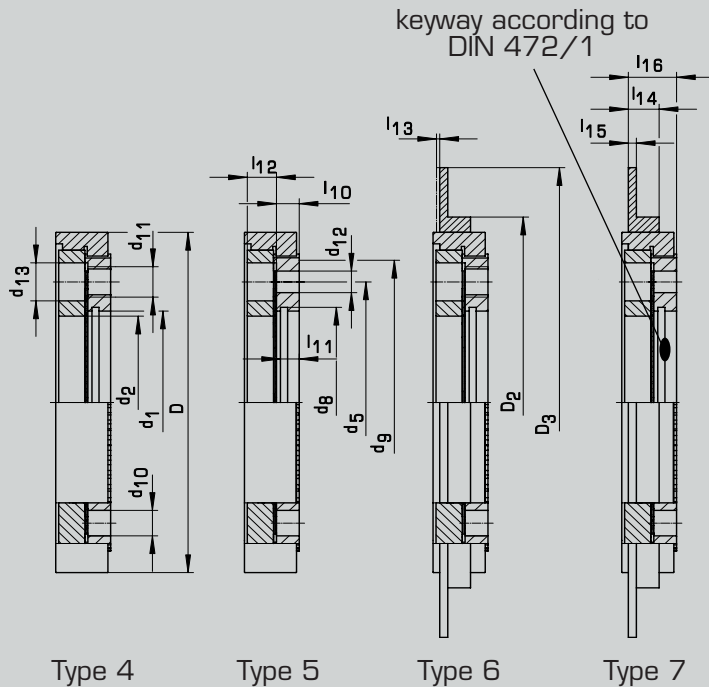
Technical data for bearing mounted types

Size		12	13	15	21	23	25	31	32
torque	M_0 [Nm]	20	25	50	100	250	500	1000	2200
max. speed dry running	n [min ⁻¹]	1500	1500	1500	1500	1500	1500	1500	1500
max. speed oil running	n [min ⁻¹]	3000	3000	3000	2500	2500	2500	2300	2000
input power	P_{20} [W]	13	19	21	27	36	57	80	114
inertia	rotor	0,066	0,15	0,37	0,87	2,06	4,88	11,2	28,7
	armature 4 & 5	0,06	0,12	0,37	0,52	1,85	4,51	12,8	29,2
inertia	rotor	—	0,15	0,37	0,87	2,06	4,88	11,2	28,7
	armature 6 & 7	—	0,13	0,62	1,25	3,58	7,33	17,86	45,89
total weight	armature 4 & 5	0,51	0,87	1,45	2,37	3,85	6,76	11,08	15,3
	armature 6 & 7	—	0,88	1,60	2,62	4,23	7,23	11,67	16,71
number of teeth	standard	200	220	260	290	280	250	195	186
	saw	25	30	36	36	38	40	40	40
dry running	2 RS DIN 625	6004	6005	6007	6009	6011	6014	6017	6020
oil running	DIN 625								
min. bore, keyway acc. to DIN 6885/1	d H7 [mm]	10	10	10	20	25	30	40	50
		14/3	17/2	25/2	35/2	42/2	55/2	70/3	85/3
dimensions	D [mm]	57	67	82	95	114	134	166	195
	D_1	52	58	75	88	105	127	152	175
	d_5	36	46	60	70	80	95	120	150
	d_6	20	25	35	45	55	70	85	100
	L	43	49	55	63	69	83	93,5	110
	$l - 0,1$	34	39	42	45	50	61	66	80
	l_1	2	2,5	3,5	3	3	3	3,5	4
	l_2	10	11	12	14	18	20	22	24
	l_3	15	16,7	18	20	24	27	31	38,5
	l_5	4,5	5	6	6	6	8	10	10
l_6	5	6	8	10	10	10	12	12	
$l_8 \pm 0,1$	0,2	0,3	0,3	0,4	0,4	0,4	0,5	0,5	



Electromagnetic tooth clutch - Type 546

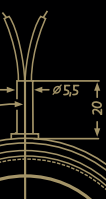
Design of armatures



- Type 4 with three threads and three pin bores for mounting
- Type 5 with three through holes and three pin bores for mounting
- Type 6 analog type 4, with additional indicator plate for condition monitoring
- Type 7 analog type 5, with additional indicator plate for condition monitoring

Technical data for armatures

Size		12	13	15	21	23	25	31	32
dimensions	D [mm]	57	67	82	95	114	134	166	195
	D ₂	—	74	90	107	126	146	178	215
	D ₃	—	90	115	130	165	185	218	250
	d ₁ H7	26	32	42	52	62	72	90	100
	d ₂	22,5	31	36,5	46	55	68	80	95
	d ₅	36	46	60	70	80	95	120	150
	d ₈ DIN 472 page 1	27,2	33,7	44,5	55	65	75	93,5	103,5
locating pin	d ₁₀	—	4,5	4,5	5,5	7,8	9,5	9,5	11,5
	n x β [degree]	—	3 x 120°	3 x 120°	3 x 120°	3 x 120°	3 x 120°	3 x 120°	3 x 120°
armature 4 & 6	d ₁₁	M 4	M 5	M 6	M 8	M 8	M 12	M 12	M 12
	n x α [degree]	3 x 120°	3 x 120°	3 x 120°	3 x 120°	3 x 120°	3 x 120°	6 x 60°	6 x 60°
armature 5 & 7	d ₁₂	4,8	4,8	5,8	6,8	6,8	8,5	8,5	10,5
	n x α [degree]	3 x 120°	3 x 120°	3 x 120°	3 x 120°	3 x 120°	3 x 120°	6 x 60°	6 x 60°
	d ₁₃	8,5	8,5	10	12	12	15	15	19
	y [degree]	—	60°	60°	60°	60°	60°	30°	30°
armature play	l - 0,1	21,5	24,5	26	27,5	30,5	38	40,5	52
	l ₁₀	3	3,5	4,8	6	6,5	8,4	11,4	11,7
	l ₁₁	2,6	2,7	4,05	5	5,5	7	8,5	9,5
	l ₁₂	4,3	4,8	6,1	8,7	9	11	13,1	14
	l ₁₃	0,75	1,00	1,1	1,3	1,4	1,65	2,1	2,4
	l ₁₄	—	6	8,5	10	10	11,5	11,5	16
	l ₁₅	—	2	2,5	3	3	3	3	6
	l ₁₆	—	7,5	10,8	13,5	14	18	23	23,5



Electromagnetic tooth clutch - Type 546

Toothing geometries

Mönninghoff clutches offer a large variety of application-specific designs of toothing.

The amount of possible geometries or fixed points is endless and our engineers can help to design an optimized version at any time.

Toothing examples

Standard



- transmits torque in both directions with little backlash
- also available backlash free
- with increased flank angle also available as torque limiter with fixed position engagement

Spaced



- transmits torque in both directions with large amount of backlash
- can be engaged at higher speeds

Saw (counter-) clockwise

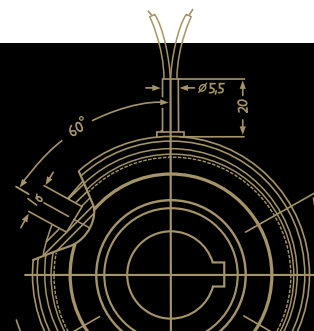


- transmits nominal torque in both directions
- in reverse direction approx. 10% of torque can be transmitted
- can be engaged at higher speeds

Stepped (counter-) clockwise



- transmits nominal torque in both directions
- in reverse direction approx. 20% of torque can be transmitted with little backlash
- can be engaged at higher speeds

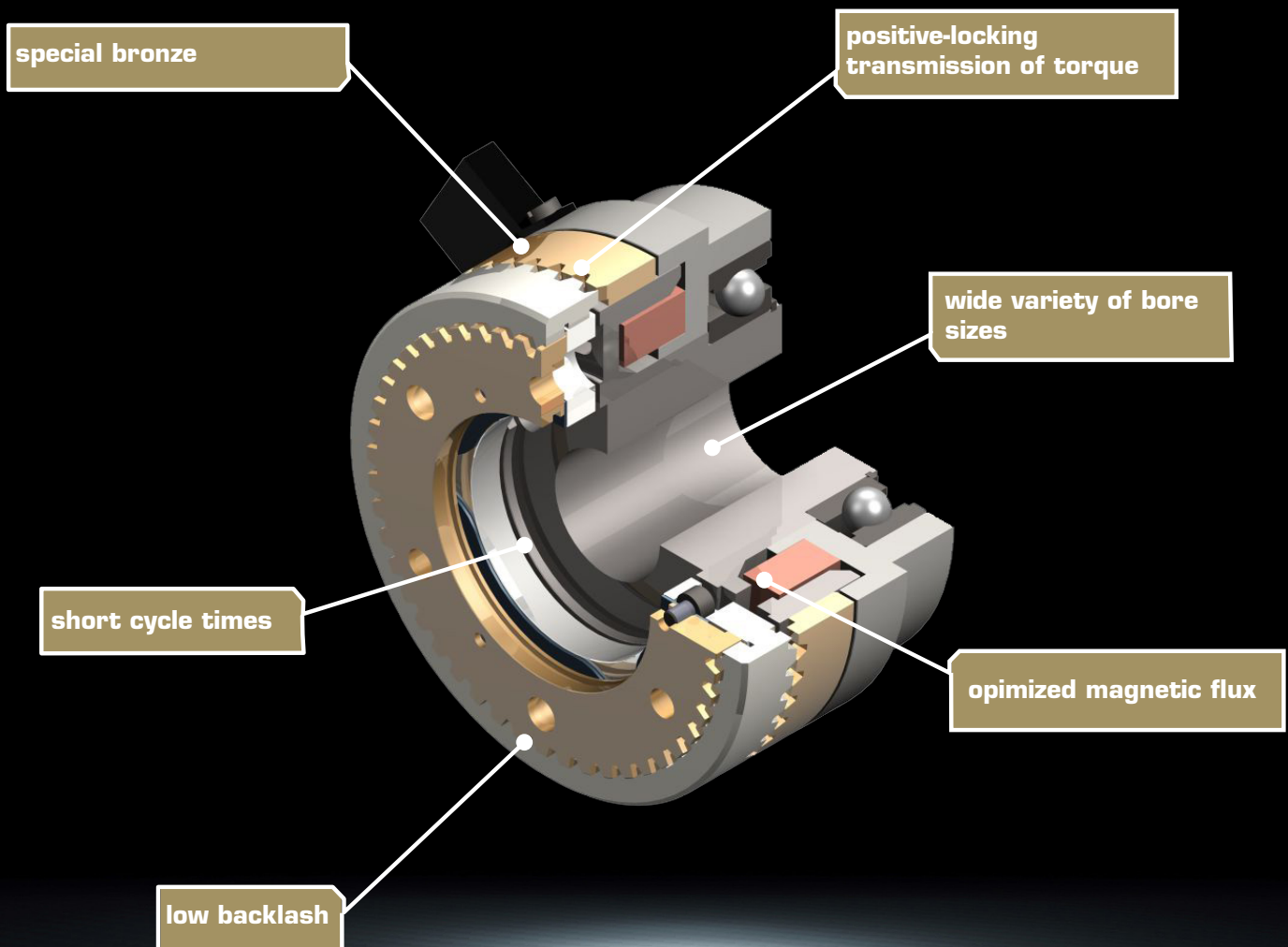


Electromagnetic tooth clutch - Type 546

Voltage

- standard voltage is 24 Vdc
- special voltages between 6 and 196 Vdc on request
- the permissible voltage tolerance is +5% to -10% according to VDE 0580
- in order to avoid induced voltage peaks, it is advisable to use varistors at unusually high switching frequency

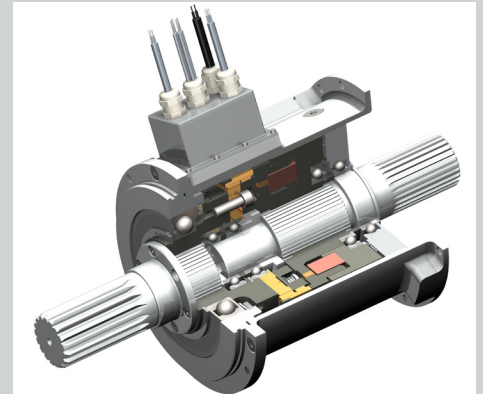
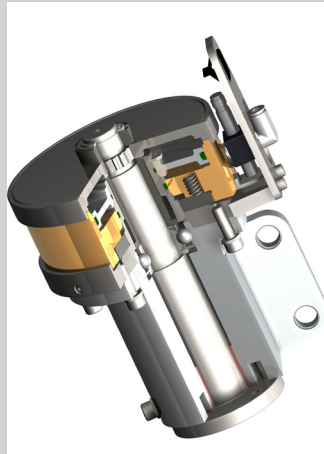
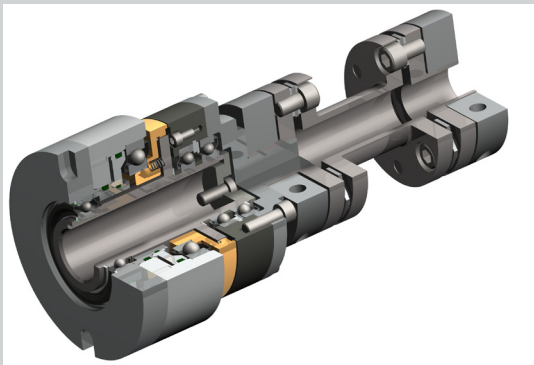
At a glance



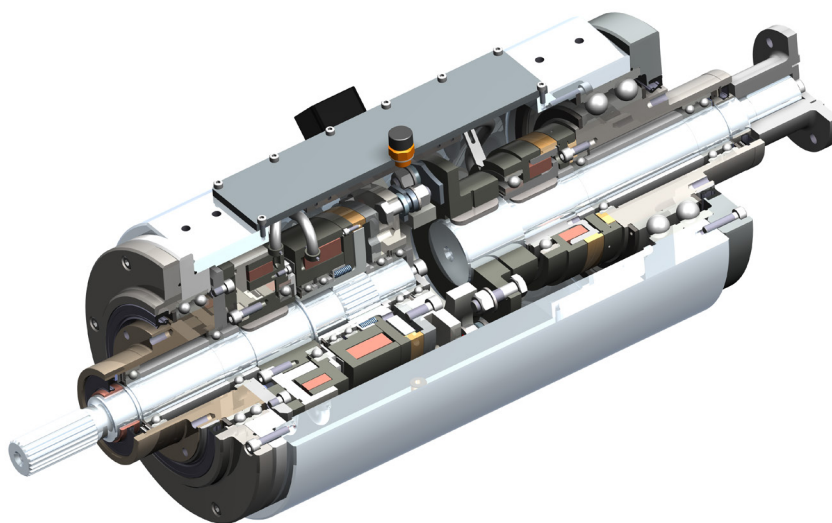
System solutions

You need more?

Mönninghoff clutches can be combined with a variety of many other power transmission elements. Such complex high-tech systems can solve any application-specific tasks and can fulfill any customer-specific wishes.



In many cases, a combination of different drive elements is needed to solve the applications particular problems and difficulties. Being not just supplier but technological partner to our customers, our extensive engineering is part of extraordinary and challenging power transmission projects.



**Our product is the know-how,
with hardware as an added bonus.**

