

## Specific&Performance

- Stainless steel sensor
- Sensor and socket are one piece, it could withstand high pressure and vibration
- Maximum range: 1000bar
- No O-ring; no oil; no leakage
- Customization are available

## Application

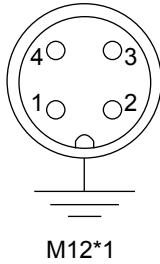
- OEM Customer
- Hydraulic system
- Mechanical machine
- Compressor



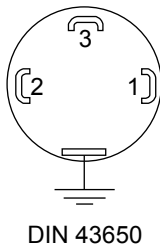
## Specification

Accuracy(25°C)	0.5FSO / 0.25%FS per BFSL			
Output signal	4-20mA 2wires	0-10V 3wires	0-5V 3wires	0.5-4.5V 3wires
Supply voltage	12-30VDC,24VDC remmended			5VDC
Temperature	Compensation range	Medium	Enviroment	Storage
	-20...85°C	-40...125°C	-40...85 C	-40...125°C
Temperature Vibration	Zero Point		Full Scale	
	0.02%FS/°C		0.02%FS/°C	
Electric connection	Packard interface, 1m wire, M12*4 pin, Hessman joint DIN43650			
IP protection	IP 67 orIP65(Hessman joint)			
Process connection	G1/4", G1/2", M20*1.5, 1/2"NPT, 1/4"NPT			
Vibration resistance	20g, 20Hz...5kHz			
Shock resistance	100g, 11ms			
Wetted part	17-4PH stainless steel			
Service life	10 million load cycles			
Reversed polarity protection	Yes			
Overvoltage Protection	30V			
Load in Ω	Current Output: RL≤(Us-12)/20kΩ		Voltage Output: RL> 10 kΩ	
Insulation resistance	100MΩ at 500VDC			
Response time (10%...90%)	1ms			
Pressure resistance	Max working pressure: 200% F.S.;Blasting pressure: 500% F.S.; (customizable)			

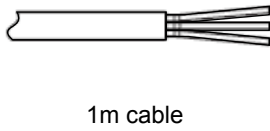
## Electrical connection



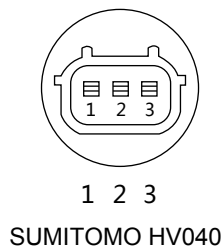
Terminal	2-wire	3-wire
1	Power “ + ”	Power “ + ”
2		Signal “ + ”
3		
4	Power “ - ”	Power “ - ”



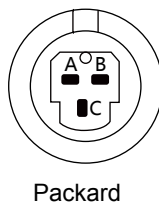
Terminal	2-wire	3-wire
1	Power “ + ”	Power “ + ”
2	Power “ - ”	Power “ - ”
3		Signal “ + ”



Terminal	2-wire	3-wire
Red	Power “ + ”	Power “ + ”
Black	Power “ - ”	Power “ - ”
Blue		Signal “ + ”

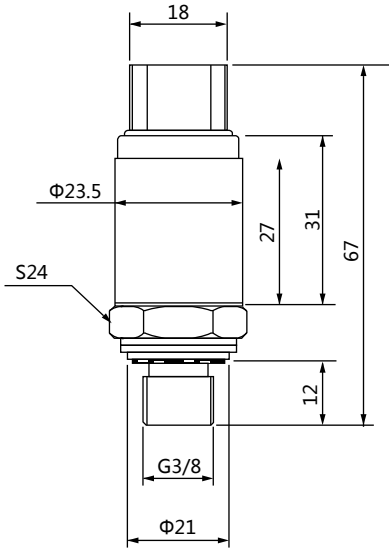


Terminal	2-wire	3-wire
1	Power “ + ”	Power “ + ”
2	Power “ - ”	Power “ - ”
3		Signal “ + ”

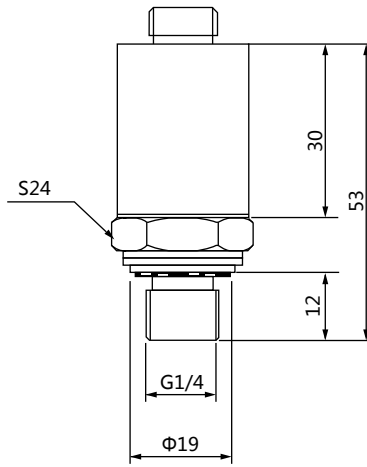


Terminal		3 wires
A		Supply “ - ”
B		Supply “ + ”
C		Signal “ + ”

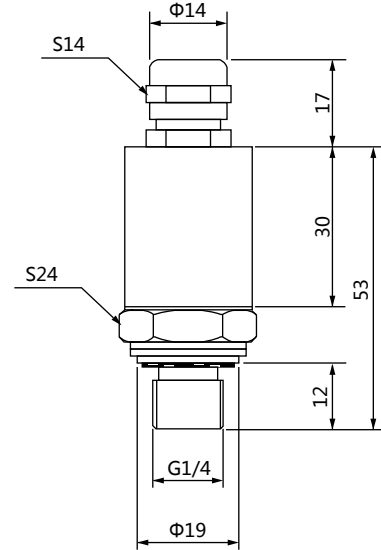
Dimensions (mm)



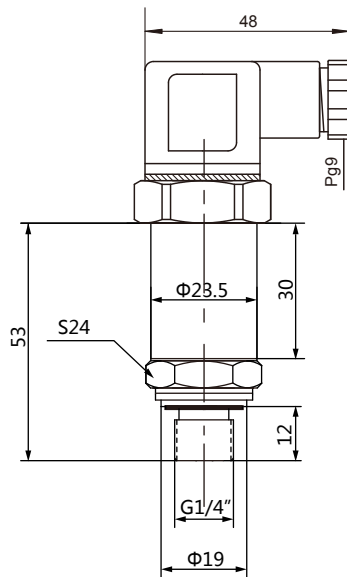
Sumitomo HV040



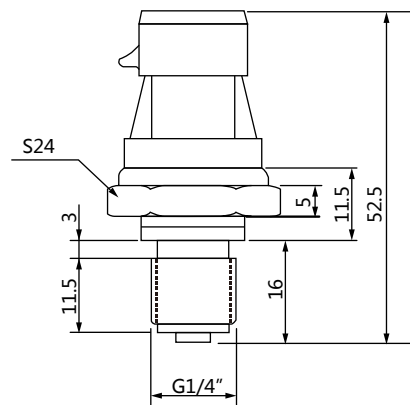
M12\*1(4pin)



1m cable

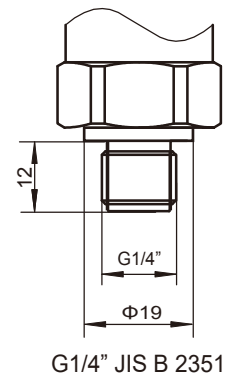
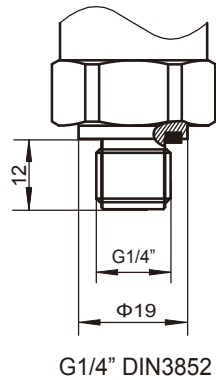
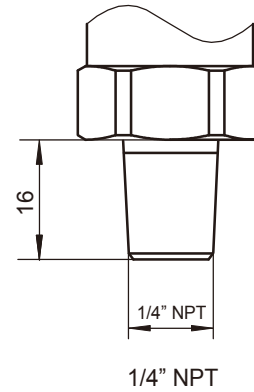
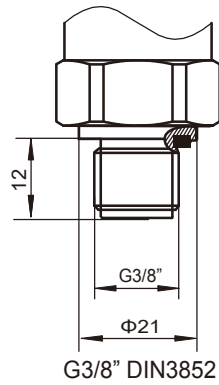


DIN 43650



Compact type(only for 0.5-4.5V)

### Process Connection (mm)



### Electromagnetic Compatibility

IEC61000-4-2 ESD: 8kV Contact / 15kV Air; Discharge Rate > 10s

IEC61000-4-3 EM Field: 30V/m, 1kHz 80% Modulation, 80 ~ 1000MHz

IEC61000-4-4 Electrical Fast Transient: Level 2, 1KV each line, Capacitance coupling

IEC61000-4-5 Surge: Level 2, 42 $\Omega$  Impedance, Figure 11 (L-L 500V, L-E 1KV)

IEC61000-4-6 Conducted RF: Level 2, 3V/130dB, 150KHz ~ 80MHz, 2s Dwell, Clamp Injec

IEC61000-4-9 Pulse Magnetic Field: Level 3, 100A/m, 10 Second pulse interval IEC55022

Emission: Class A, 50dB @ 30-230MHz, 57dB @ 230-1000MHz

### LVC ordering code

Code		Specification
1.	<input type="text"/>	LVC Series
Output Signal		
2.	<input type="text"/>	1 4-20mA
		3 0-10VDC
		5 0-5VDC
		6 0.5-4.5VDC
		7 0.5-4.5VDC ratio
Type		
3.	<input type="text"/>	1 Standard
		0 Compact type(only for 0.5-4.5VDC)
Electirc Connection		
4.	<input type="text"/>	2 Packard (only for compact type)
		3 M12*4 pin
		4 DIN43650
		6 1m wire
		8 SUMITOMO HV040
Process Connection		
5.	<input type="text"/>	4G G1/4" DIN 3852
		4N 1/4" NPT
		3B G3/8" DIN 3852
		4J G1/4" JIS B2351
Pressure Range		
6.	<input type="text"/>	G1010 0-10bar
		G1016 0-16bar
		G1025 0-25bar
		G1050 0-50bar
		G1100 0-100bar
		G1250 0-250bar
		G1500 0-500bar
		G1700 0-700bar
		GX000 0-1000bar