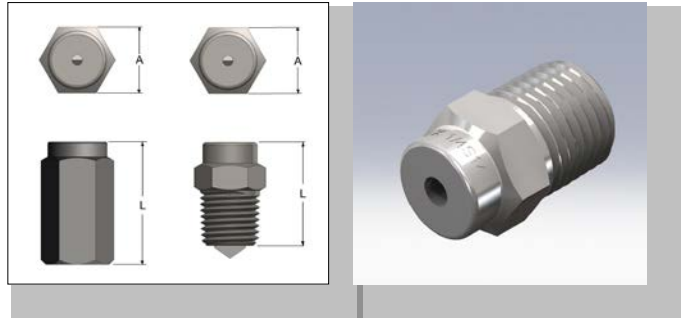




S SERIES NOZZLE SPECIFICATIONS

NOZZLE SIZE	Dim. A	Dim. L
1/8S	7/16 HEX	13/16
1/4S	9/16 HEX	15/16
3/8S	11/16 HEX	1 1/16
1/2S	7/8 HEX	1 9/32
3/4FS	1 3/8 HEX	2 1/16
3/4S	1 1/16 HEX	1 9/16
1FS	1 5/8 HEX	2 5/8
1S	1 1/4 dia.	2 3/16



SPRAY CHARACTERISTICS:

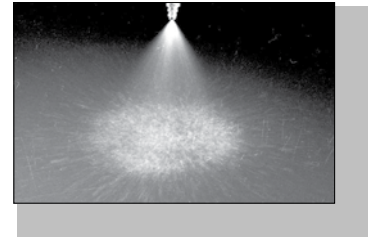
Full cone spray pattern, with uniform distribution throughout the cone.

CONSTRUCTION:

The nozzle contains a patented insert with larger flow passages than older styles, and is less susceptible to clogging. Standard materials are brass, 303 stainless steel, and 316 stainless steel. Some models are also stocked in PVC, CPVC, and polypropylene.

TYPICAL APPLICATIONS:

- Chemical Processing
 - Cooling Sprays
 - Foam Breaking
 - Continuous Casting
- U.S. Patent No. 4,142,682
Canadian Patent No. 1,050,589



Model		Max. Free Passage (in)	CAPACITY AT VARIOUS PRESSURES (USGPM)													SPRAY ANGLE @ (degrees)		
Female	Male		3 psi	5 psi	7 psi	10 psi	15 psi	20 psi	30 psi	40 psi	60 psi	80 psi	100 psi	150 psi	7 psi	20 psi	80 psi	
	1/8S1	0.033	0.06	0.07	0.09	0.10	0.12	0.14	0.17	0.20	0.25	0.28	0.32	0.39		55	52	
	1/8S1.5	0.046	0.15	0.18	0.22	0.15	0.18	0.21	0.26	0.30	0.37	0.42	0.47	0.58		65	57	
	1/4S2	0.051	0.31	0.35	0.17	0.20	0.25	0.28	0.35	0.40	0.49	0.57	0.63	0.77	54	59	60	
	1/4S3	0.051	0.61	0.21	0.25	0.30	0.37	0.42	0.52	0.60	0.73	0.85	0.95	1.16	50	53	60	
	1/4S3.5	0.051	0.19	0.25	0.29	0.35	0.43	0.50	0.61	0.70	0.86	0.99	1.11	1.36	48	58	61	
	1/4S5	0.064	0.27	0.35	0.42	0.50	0.61	0.71	0.87	1.00	1.22	1.41	1.58	1.94	60	75	70	
	1/4S5	0.081	0.27	0.35	0.42	0.50	0.61	0.71	0.87	1.00	1.22	1.41	1.58	1.94	58	68	62	
	1/4S6	0.064	0.33	0.42	0.50	0.60	0.73	0.85	1.04	1.20	1.47	1.70	1.90	2.32	67	72	70	
	1/4S6.5	0.091	0.36	0.46	0.54	0.65	0.80	0.92	1.13	1.30	1.59	1.84	2.06	2.52	48	56	50	
	1/4S7.5	0.091	0.41	0.53	0.63	0.75	0.92	1.06	1.30	1.50	1.84	2.12	2.37	2.90	55	65	48	
	1/4S8.5	0.091	0.47	0.60	0.71	0.85	1.04	1.20	1.47	1.70	2.08	2.40	2.69	3.3	58	65	63	
	1/4S9.5	0.102	0.52	0.67	0.79	0.95	1.16	1.34	1.65	1.90	2.33	2.69	3.00	3.7	58	68	62	
	1/4S10	0.091	0.55	0.71	0.84	1.00	1.22	1.41	1.73	2.00	2.45	2.83	3.2	3.9	60	65	62	
	3/8S10	0.102	0.55	0.71	0.84	1.00	1.22	1.41	1.73	2.00	2.45	2.83	3.2	3.9	55	65	50	
	1/4S14	0.091	0.77	0.99	1.17	1.40	1.71	1.98	2.42	2.80	3.4	4.0	4.4	5.4	78	78	75	
	3/8S15	0.102	0.82	1.06	1.26	1.50	1.84	2.12	2.60	3.00	3.7	4.2	4.7	5.8	63	65	60	
	3/8S18	0.102	0.99	1.27	1.51	1.80	2.20	2.55	3.12	3.6	4.4	5.1	5.7	7.0	85	88	76	
	3/8S20	0.102	1.10	1.41	1.67	2.00	2.45	2.83	3.5	4.0	4.9	5.7	6.3	7.7	76	72	75	
	3/8S22	0.114	1.20	1.56	1.84	2.20	2.69	3.11	3.8	4.4	5.4	6.2	7.0	8.5	76	78	76	
	1/2S16	0.144	0.88	1.13	1.34	1.60	1.96	2.26	2.77	3.2	3.9	4.5	5.1	6.2	55	60	55	
	1/2S25	0.144	1.37	1.77	2.09	2.50	3.06	3.5	4.3	5.0	6.1	7.1	7.9	9.7	68	73	65	
	1/2S32	0.144	1.75	2.26	2.68	3.2	3.9	4.5	5.5	6.4	7.8	9.1	10.1	12.4	80	90	75	
	1/2S40	0.162	2.19	2.83	3.3	4.0	4.9	5.7	6.9	8.0	9.8	11.3	12.6	15.5	86	90	81	
3/4FS30	3/4S30	0.162	1.64	2.12	2.51	3.00	3.7	4.2	5.2	6.0	7.3	8.5	9.5	11.6	50	52	49	
3/4FS50	3/4S50	0.195	2.74	3.5	4.2	5.0	6.1	7.1	8.7	10.0	12.2	14.1	15.8	19.4	65	70	65	
3/4FS83	3/4S83	0.195	4.5	5.9	6.9	8.3	10.2	11.7	14.4	16.6	20.3	23.5	26.2	32	90	97	86	
1FS83	1S83	0.219	4.5	5.9	6.9	8.3	10.2	11.7	14.4	16.6	20.3	23.5	26.2	32	71	78	75	
1FS106	1S106	0.219	5.8	7.5	8.9	10.6	13.0	15.0	18.4	21.2	26.0	30.0	34	41	86	89	80	
1FS120	1S120	0.219	6.6	8.5	10.0	12.0	14.7	17.0	20.8	24.0	29.4	34	38	46	80	94	85	
1FS142	1S142	0.219	7.8	10.0	11.9	14.2	17.4	20.1	24.6	28.4	35	40	45	55	88	92	83	