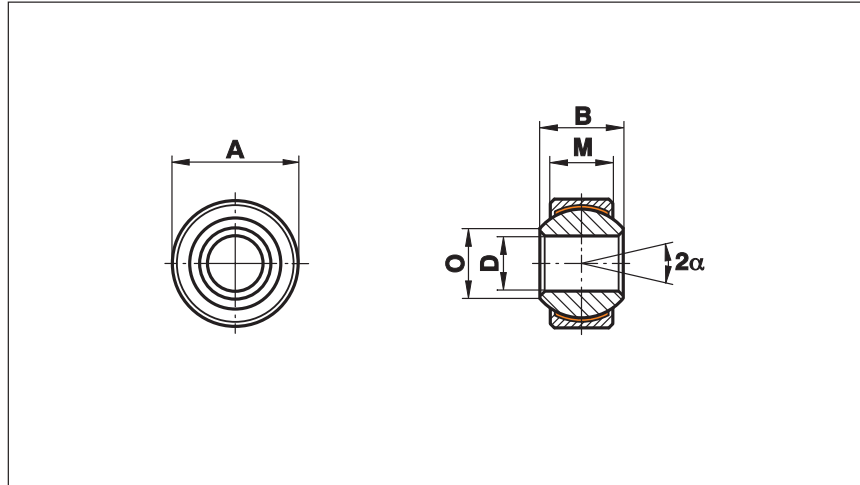


Spherical Plain Bearings Series K - Maintenance Free

Series GXSW

Spherical Plain Bearings,
without outer ring, main-
tenance free

For use at high pressure
and dynamic loads



Size	D	B	M	A	O	Static load C ₀ kN	Dynamic load C kN	Limiting speed rev/min	Weight g
4	4	7	5,25	12,0	6,5	9,5	5,7	700	4
5	5	8	6,00	13,0	7,7	12,5	7,5	600	6
6	6	9	6,75	15,0	8,9	15,5	9,3	530	8
6.16	6	9	6,75	16,0	8,9	15,5	9,3	530	9
8	8	12	9,00	18,0	10,4	27,8	16,7	420	15
8.19	8	12	9,00	19,0	10,4	27,8	16,7	420	17
10	10	14	10,50	21,0	12,9	39,0	23,4	350	23
10.22	10	14	10,50	22,0	12,9	39,0	23,4	350	26
12	12	16	12,00	24,5	15,4	53,5	32,0	300	35
12.26	12	16	12,00	26,0	15,4	53,5	32,0	300	41
14	14	19	13,50	28,0	16,8	70,0	42,0	260	52
14.29	14	19	13,50	29,0	16,8	70,0	42,0	260	56
16	16	21	15,00	31,5	19,3	88,0	52,5	230	72
16.32	16	21	15,00	32,0	19,3	88,0	52,5	230	75
18	18	23	16,50	34,5	21,8	106,5	64,0	210	95
18.35	18	23	16,50	35,0	21,8	106,5	64,0	210	97
20	20	25	18,00	38,0	24,3	130,0	78,0	190	127
20.40	20	25	18,00	40,0	24,3	130,0	78,0	190	142
22	22	28	20,00	41,0	25,8	162,0	97,0	170	159
22.42	22	28	20,00	42,0	25,8	162,0	97,0	170	169
25	25	31	22,00	46,0	29,6	204,0	122,0	150	222
25.47	25	31	22,00	47,0	29,6	204,0	122,0	150	230
30	30	37	25,00	54,0	34,8	281,0	168,0	130	350
30.55	30	37	25,00	55,0	34,8	281,0	168,0	130	369
35	35	43	28,00	62,0	37,7	343,0	206,0	110	505
35.65	35	43	28,00	65,0	37,7	343,0	206,0	110	545
40	40	49	35,00	72,0	44,2	495,0	286,0	100	832
40.75	40	49	35,00	75,0	44,2	495,0	286,0	100	894
50	50	60	45,00	90,0	55,9	800,0	485,0	80	1640

only for short-term revolutions recommended

Materials:

Insert: Free-cutting steel to 9SMnPb28K, 12L13, with PTFE liner bonded to inner surface

Ball: Bearing steel to 100Cr6, Aisi 52100, hardened, ground, polished

This series is also available with threaded bolt (see page 39) and as stainless steel version.