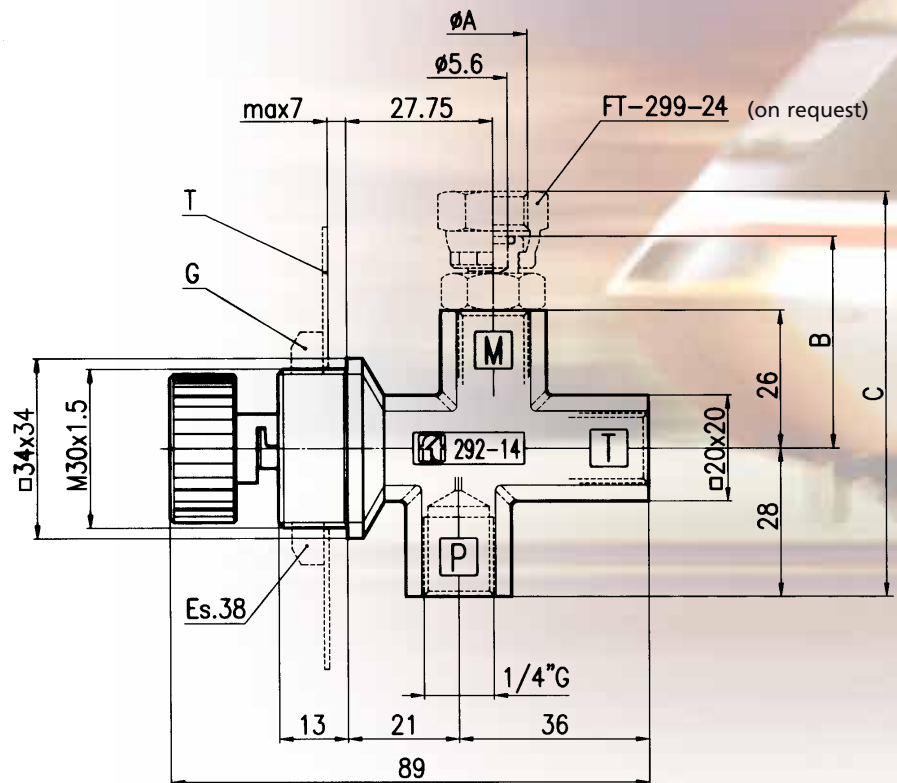




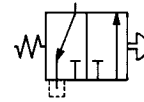
MATERIALS

BODY	11 S MN Pb 30 - UNI EN 10087 - PRESS FORG.
NEEDLE	35 S MN Pb 23 - UNI EN 10087 - HEAT TREATMENT
OR	NYLON 66
ANTIEXTRUSION RING	NITRILE
HANDWHEEL	KG. Ø,265
All components are surface treated and protected	



DIMENSIONS

ØA	B	C
1/4"G	45	80
1/2"G	50	85



GAUGE ISOLATOR PUSH-BUTTON VALVES

Gauge isolator push-button valves series FT 292 are normally used to protect the pressure gauge since they have the double function of dampening pressure surge during opening and of isolating the pressure gauge entirely. A reading is obtained by depressing the button. Releasing the button shuts off the flow to the gauge with residual pressure being automatically drained. The button can be locked to give a continuous reading. The maximum release pressure is 50 kg/sq cm. Panel mounting facility. Panel mounting fixtures are supplied only if expressly requested, indicate whether KM or hexagonal. The accurate study of components, of working conditions and of materials has contributed to obtain high quality levels, also confirmed by the results, which they are regularly subjected to. Equipped with connectors FT 299 (see page 210), they also allow full location orientation for ease of reading. They may be used for working pressure up to 400 bar.

On request

- without lecture block
- viton seal



FT 292

EXAMPLE FOR ORDERING

CODE	PANEL RING NUT	PANEL PLATE
FT 292	G	T