

# proense® PSD25 Series Pressure Switches

## Features



- Compact pressure switch features simple setup using mechanical adjustment dials
- Extremely durable housing with 316 stainless steel process connection
- No moving parts ensure long-term stability without setpoint drift
- LEDs indicate switching and operating status
- Complementary switching outputs (N.O./N.C.), DC
- Easy set-up dials
- Vibration and shock-resistant

## Agency Approvals

- cULus, File number E320431
- CE
- RoHS



ProSense Series Pressure Sensors					
Part Number	Description	Pcs/Pkg	Wt(lb)	Price	Cable Assemblies
PSD25-0P-0145H	Pressure switch, DC, PNP NO/NC, 7.5 to 145 psig range, 1/4" NPT male port	1	0.21	\$89.00	CD12L-0B-020-A0 CD12L-0B-020-C0 CD12M-0B-070-A1 CD12M-0B-070-C1 (order separately - see Proximity Sensor section for cable specs)
PSD25-0P-1450H	Pressure switch, DC, PNP NO/NC, 75 to 1450 psig range, 1/4" NPT male port	1	0.21	\$89.00	
PSD25-0P-5800H	Pressure switch, DC, PNP NO/NC, 290 to 5800 psig range, 1/4" NPT male port	1	0.21	\$89.00	
Accessory					
PSD-CV	Transparent plastic protective cap for PSD series	1	0.01	\$3.00	PSD Series Sensors

Note: Check the chemical compatibility of the sensor's wetted parts with the medium to be measured.

ProSense PSD25 Series Technical Specifications	
Operating Voltage	9.6 to 32 VDC
Connection Pin Material	Gold-plated
Output Maximum Load Current	500 mA - See Setting and Operation Guide on following page.
Current Consumption	< 25 mA
Switching Frequency	100 Hz
Setting Accuracy of Switch Points	< ± 2.5% of full range (limit point calibration)
Repeatability	< ± 0.5% of full range
Temperature Drift	< ± 0.5%, of full temperature range/10 K; 32 to 176°F (0 to 80°C).
Housing Material	PBT (Pocan); PC (Makrolon); FPM (Viton); stainless steel (316S12)
Materials (wetted parts)	Stainless steel (316S12)
Operating Temperature	-13 to 176°F (-25 to 80°C)
Medium Temperature	-13 to 176°F (-25 to 80°C)
Storage Temperature	-40 to 212°F (-40 to 100°C)
Protection	IP 67
Protection Class	Class III ⚡
Insulation Resistance	> 100 MΩ (500 VDC)
Shock Resistance	50g (DIN / IEC 68-2-27, 11ms)
Vibration Resistance	20g (DIN / IEC 68-2-6, 10 - 2000 Hz)
<b>EMC</b>	
EN 61000-4-2 ESD	4 kV/8 kV AD
EN 61000-4-3 HF Radiated	10 V/m
EN 61000-4-4 Burst	2 kV
EN 61000-4-6 HF Conducted	10 V

Applications (Type of Pressure: Relative Pressure, Liquids and Gases)				
Part Number	Setpoint Scale	Resetpoint Scale	Permissible Overload Pressure	Bursting Pressure
	Bar (Psig)	Bar (Psig)	Bar (Psig)	Bar (Psig)
PSD25-0P-5800H	20 to 400 (290 to 5800)	12 to 392(175 to 5685)	600 (8700)	1600 (23200)
PSD25-0P-1450H	5 to 100 (75 to 1450)	3 to 98 (50 to 1420)	200 (2900)	1000 (14500)
PSD25-0P-0145H	0.5 to 10 (7.5 to 145)	0.3 to 9.8 (5 to 142)	25 (362)	300 (4350)

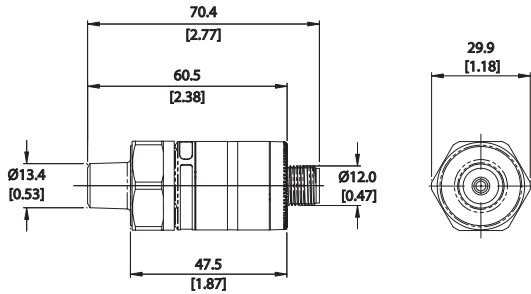
Note: Full vacuum permissible



**WARNING! AVOID STATIC AND DYNAMIC OVERPRESSURE EXCEEDING THE GIVEN OVERLOAD PRESSURE. EXCEEDING THE BURSTING PRESSURE FOR EVEN A SHORT TIME CAN CAUSE DESTRUCTION OF THE UNIT AND POSSIBLE INJURIES!**

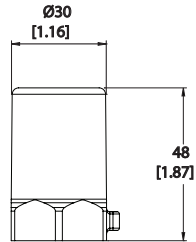
# pro<sup>o</sup>ense<sup>®</sup> PSD25 Series Pressure Switches

## Switch Dimensions



Note: tightening torque 25 Nm (18.4 lb-ft)

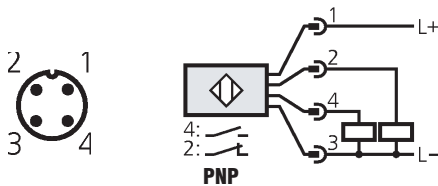
## Switch Cover Dimensions



Dimensions shown mm [inches]

See our website [www.AutomationDirect.com](http://www.AutomationDirect.com) for complete Engineering drawings.

## PSD25 Wiring Diagrams



### Cable Assembly Wiring Colors:

Pin 1 - Brown

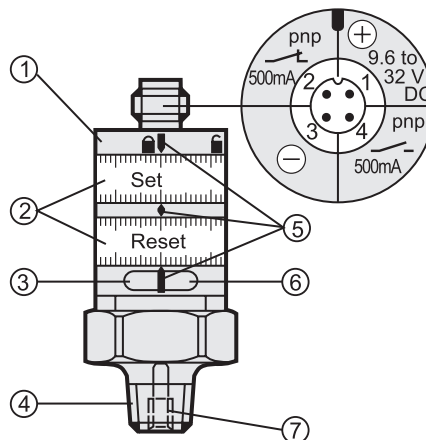
Pin 2 - White

Pin 3 - Blue

Pin 4 - Black

Note: wiring colors are based on AutomationDirect CD12L and CD12M 4-pole cable assemblies.

## Setting and Operation



1. locking ring
  2. setting rings (manually adjustable after unlocking)
  3. LED green: supply voltage O. K.
  4. process connection 1/4" NPT; tightening torque 25 Nm
  5. setting marks
  6. LED yellow: Set value reached, OUT1 = ON / OUT2 = OFF
  7. internal thread M5
- Minimum distance between Set and Reset = 2% of the final value of the measuring range.
  - To obtain the setting accuracy: Set both rings to the minimum value, then set the requested values.