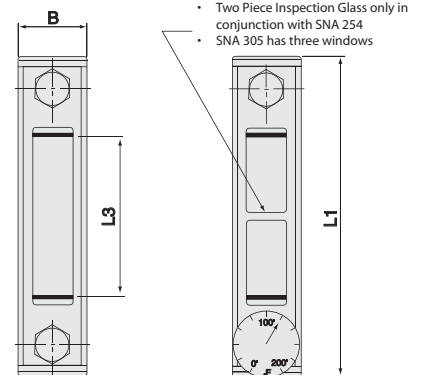
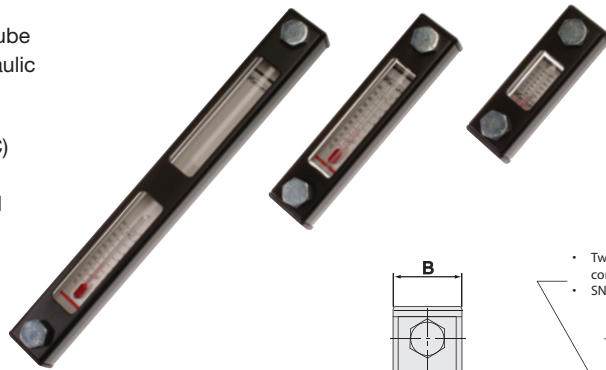


## Specifications

- Black Epoxy Coated Metal Shroud with Polyamid Sight Tube
- Suitable for Use with Mineral and Petroleum Based Hydraulic Fluids and Lubricants.
- Maximum Operating Temperature 194°F (90°C)
- Thermometer Calibration from -14°F (-10°C) to 176°F (80°C)
- SNA 076 has M10 Bolts as Standard
- SNA 127, SNA 254, SNA305 have M12 Bolts as Standard
- **Tightening Torque 70 in/lb (7.9 Nm)**

## Options

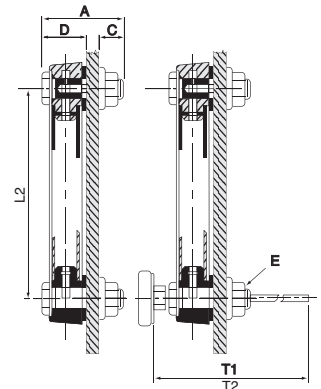
- Viton Seals
- Dial Thermometer Available with 7.9 in (200mm) or 11.8 in (300mm) Probe
- Other Special Seals Available upon Request
- Special Customized Scale Plates Available
- 1/2" UNC Bolts Available on SNA 127, 254 or 305
- M12 Bolts Available on SNA 076
- Special Lengths Available on Request
- Special plastic sight tubes available for improved UV resistance or special fluids



Please consult factory on the use of special fluids such as biological fluids, diesel oils, gasoline, etc.

## Dimensions

	SNA 076		SNA 127		SNA 254		SNA 305	
	mm	in	mm	in	mm	in	mm	in
<b>A</b>	45	1.77	45	1.77	45	1.77	45	1.77
<b>B</b>	34.5	1.34	34.5	1.34	34.5	1.34	34.5	1.34
<b>C</b>	8 MAX	0.32 MAX	8 MAX	0.32 MAX	8 MAX	0.32 MAX	8	0.32
<b>D</b>	27	1.06	27	1.06	27	1.06	27	1.06
<b>E</b>	M10		M12		M12		M12	
<b>L1</b>	108	4.25	159	6.25	286	11.25	336	13.2
<b>L2</b>	76	3.00	127	5.00	254	10.00	305	12.0
<b>L3</b>	39	1.45	76	3.00	203	8.00	255	10.0
<b>T1</b>	200	7.88	200	7.88	200	7.88	200	7.88
<b>T2</b>	302	11.88	302	11.88	302	11.88	302	11.88



## Ordering Information

SNA		127	B	S	T1	12	O60	Thermo Switch (see page A28 for details)	
<b>Type</b>		SNA							
<b>Series</b>									
076	SNA 076 (3")								
127	SNA 127 (5")								
254	SNA 254 (10")								
305	SNA 305 (12")								
<b>Seal Material</b>									
B	BUNA NBR (Standard)								
V	VITON FPM								
<b>Design of Scale Plate</b>									
S	With Stauff-Logo (Standard)								
N	No Logo								
X	Custom Design								
								<b>Banjo Bolts</b>	
								12	M 12 (Standard SNA 127, 254 & 305)
								10	M 10 (Standard SNA 076)
								U	1/2" UNC (Available for 127, 254 & 305)
								<b>Thermometer</b> (Dial thermometer with probe T1/T2 for size M12 and for 1/2" UNC / UNF)	
								O	Without Thermometer
								T	Capillary Tube Thermometer on Scale Plate
								T1	Dial Thermometer With 200 mm (7.9") Probe
								T2	Dial Thermometer With 300 mm (11.8") Probe
								TB	Blue Capillary Tube Option