



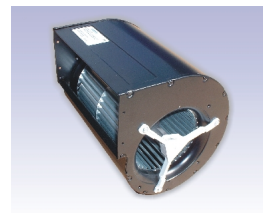
2GDSu35 133x190L

C16-A6 p

DATA SHEET

release. b - Revision 11-2015

Voltage	Frequency	Input Power	Input Current	Capacitor	Airflow	Rotation speed	Acoustic level	Direction rotation	Admissible Temperature
V	Hz	W	A	µF	m³/h	RPM	dBA		Min/Max
230	50	242	1,06	4,0	765	2045	59	L	-40°C / +60°C
230	60	264	1,15	4,0	645	2215	55	L	-40°C / +40°C
230	50				450 CFM				-40°F / 140°F
230	60				379 CFM				-40°F / 104°F

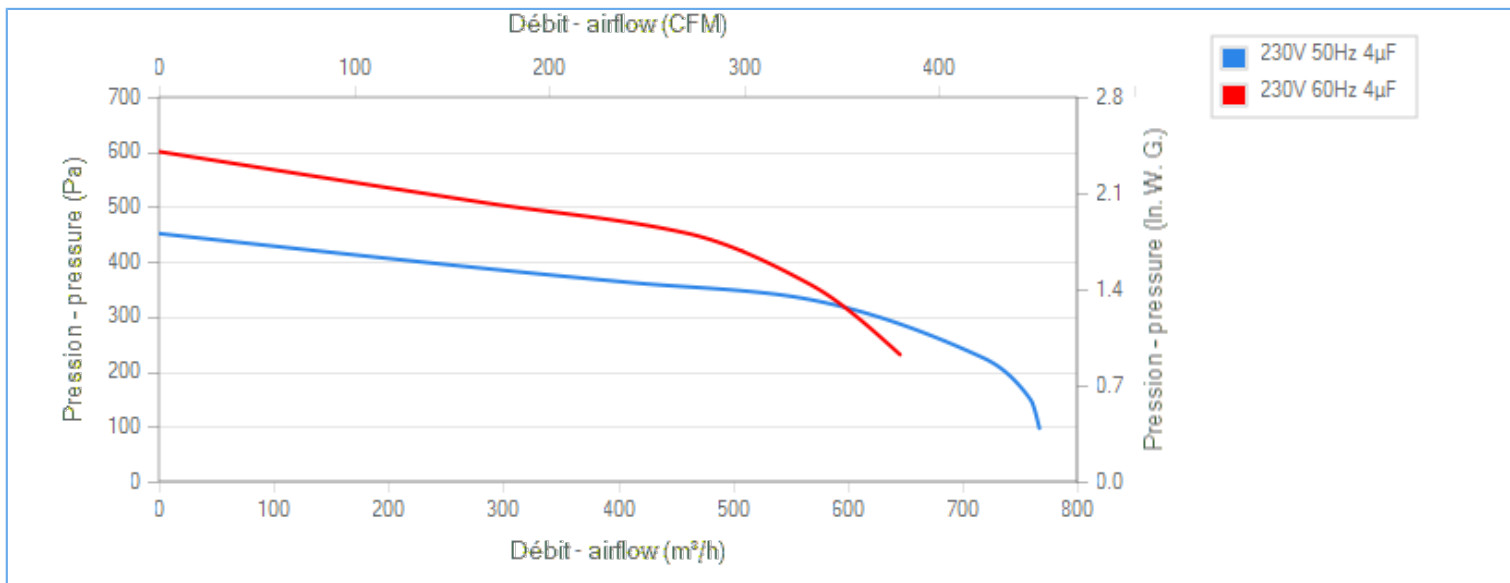
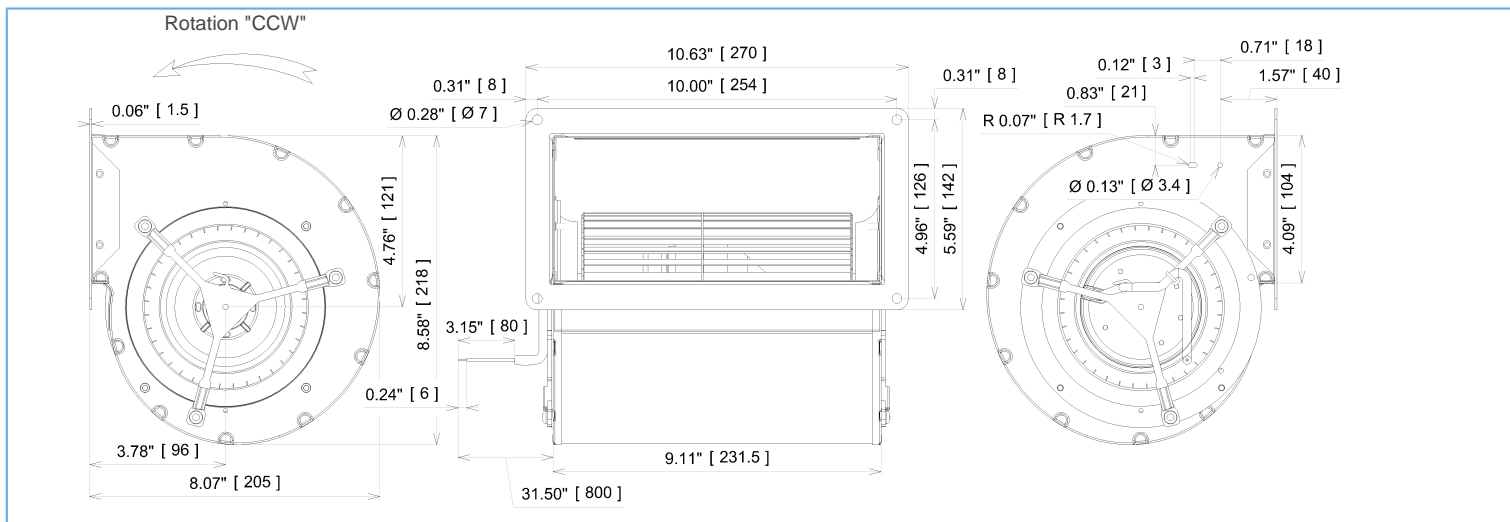


dBA : free blowing

ErP 2013



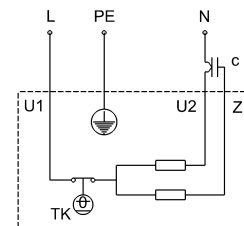
ErP 2015



Description

- .Weight : 4,0 Kg
- .Ball bearing
- .Class F, thermally protected
- .IP44 protection depending on installation and position as per EN60034-5
- .G2.5 balancing
- .Scroll housing : black paint
- .Galvanized steel impeller
- .Motor - UL Recognized component

U1 = Blue
 U2 = Black
 Z = Brown
 PE = Green/Yellow



Non contractual document. All specifications are subject to change without prior notice. Picture for information only.



2GDSu35 133x190L

C16-A6 p

DATA SHEET

release. b - Revision 11-2015

Data in accordance to ErP directive

Voltage	230	V
Frequency	50	Hz
Power	0,174	kW ⁽¹⁾
Airflow	542	m ³ /h ⁽¹⁾
Pressure	340	Pa ⁽¹⁾
Rotation speed	2572	RPM ⁽¹⁾

(1) at optimal efficiency point

For service use only in Europe according ErP directive EU 2009/125/EC

Accessories

19220

19220

21338

19147

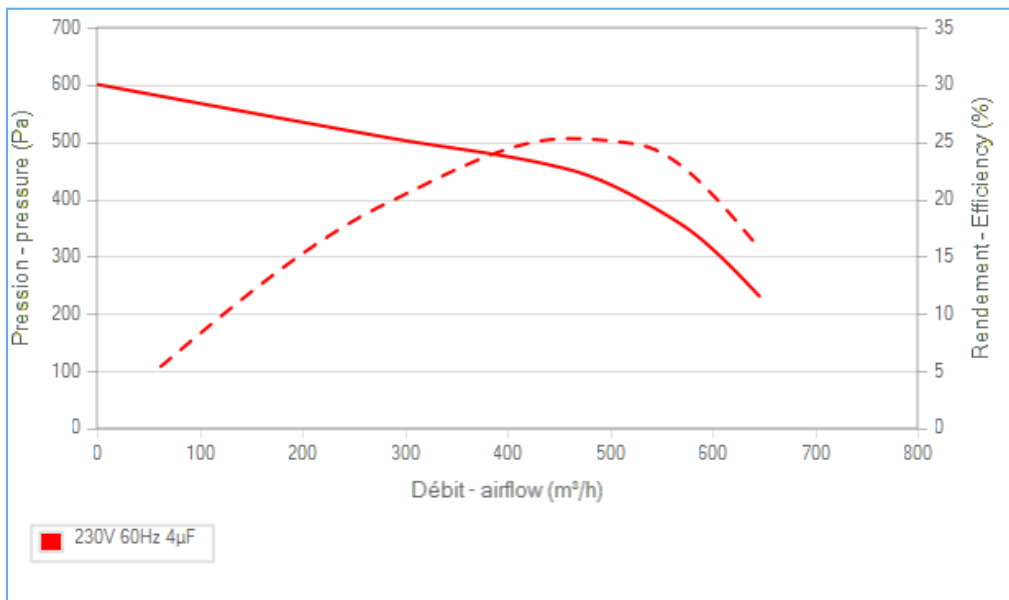
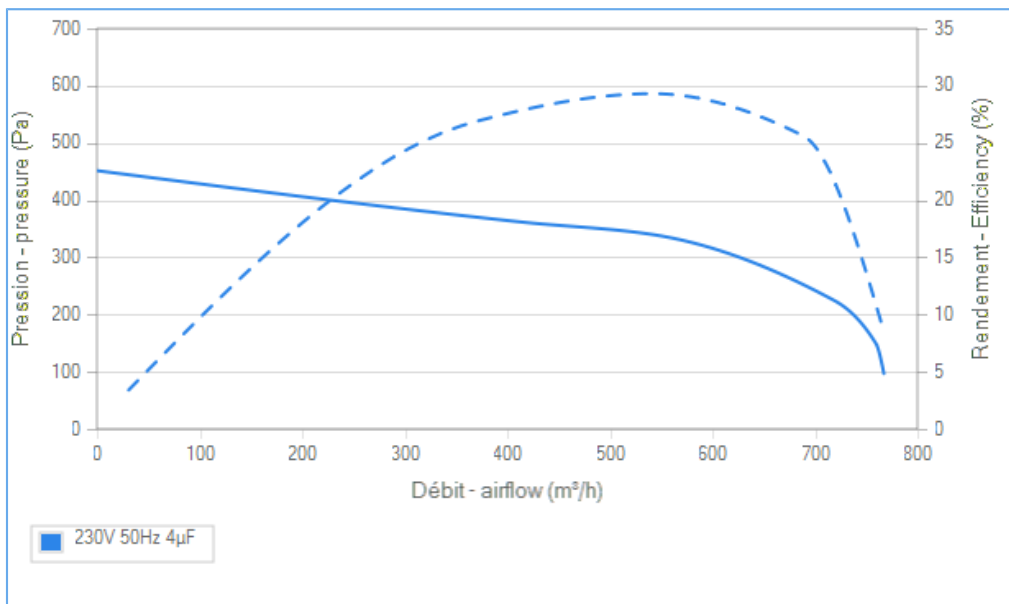
Measurement setup

Contact ECOFIT

Documents

Manuel d'utilisation
www.ecofit.com/site/normes

Operating and recycling manual
www.ecofit.com/anglais/normes



Non contractual document. All specifications are subject to change without prior notice. Picture for information only.



UL2111 (XEW2,8)
 N° file E135223
 2SS935