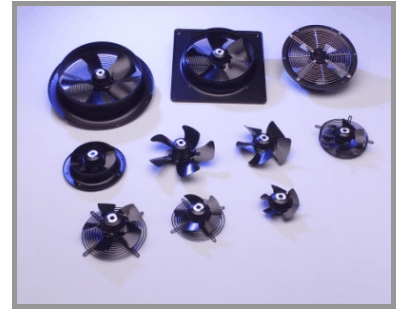


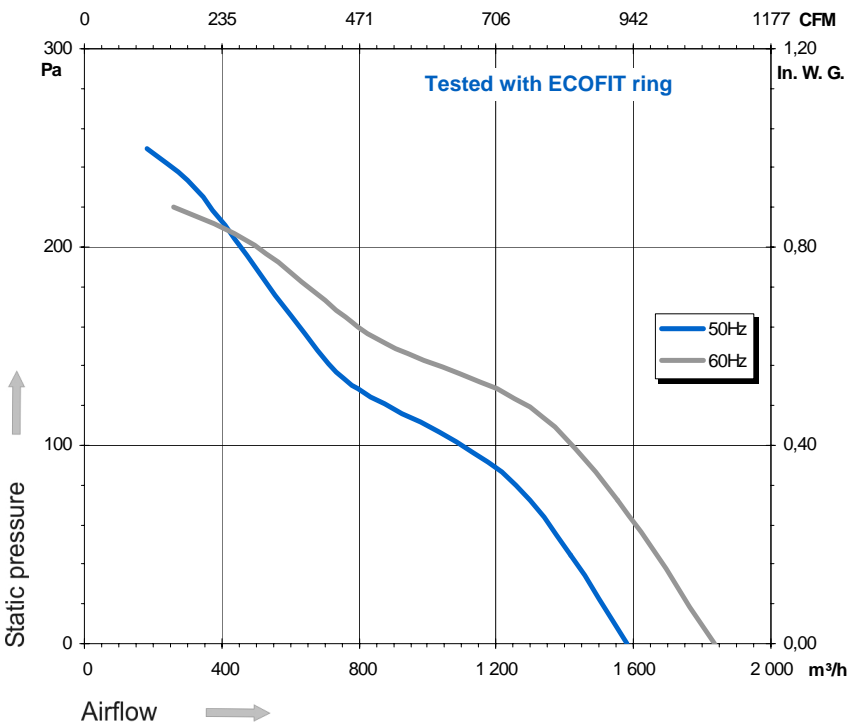
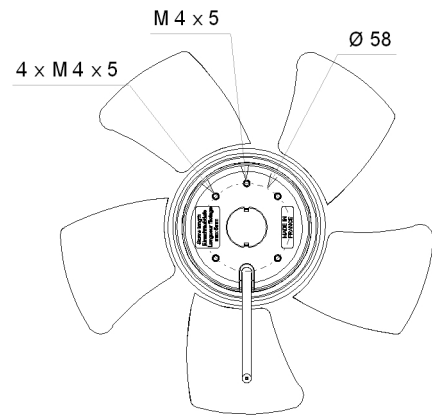
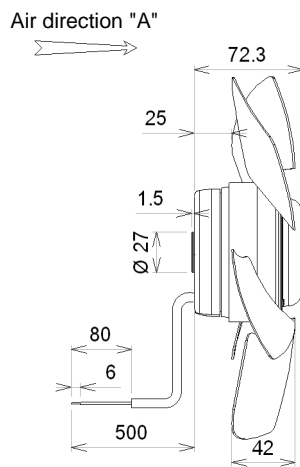
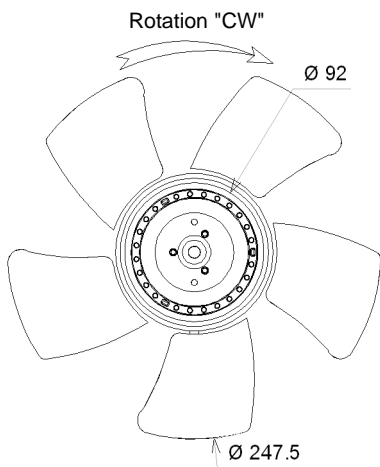
Ind. b - Revision : 08-2008

2VRE25 250A P/N B22-B4

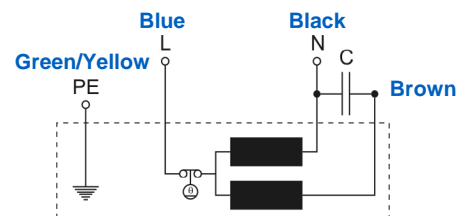
Substitute for Z21-10



Voltage	Frequency	Input power	Current	Capacitor	Airflow	Speed rotation	Noise level	Rotation direction	Operating temperature
V	Hz	Wa	A	µF	m³/h	RPM	dBA	↻	Min / Max
230	50	111	0,52	4,0	1 580	2 725	67	R	-20°C / +70°C
230	60	140	0,63	4,0	1 835	3 110	71	R	-20°C / +70°C
230	50				930 CFM				-4°F / +158°F
230	60				1080 CFM				-4°F / +158°F



- Weight : 1,9 Kg
- Ball bearing
- Class F, thermally protected
- IP44 protection
- G6.3 balancing
- Zinc coated impeller
- Rotor and impeller : black paint



Capacitor for 50Hz	Capacitor for 60Hz	Connecting box	Connector
19019	19019	39658	09145

Non contractual document. All specifications are subject to change without prior notice. Picture for information only.