

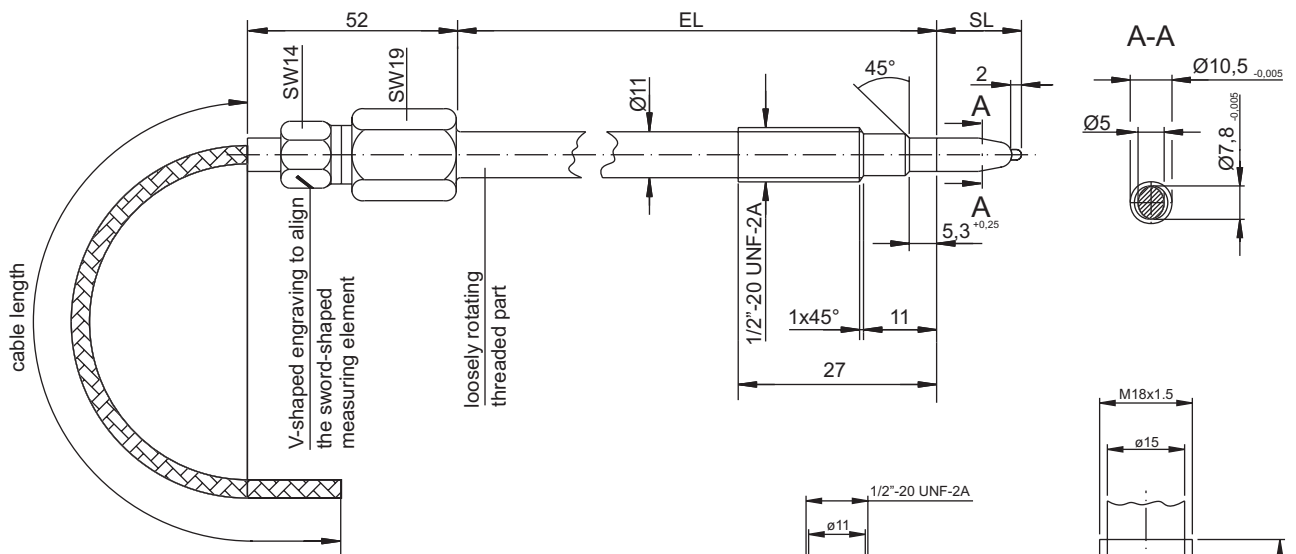
# Temperature Probes 7043 / 7143

Fe-CuNi, NiCr-Ni / Pt 100, Pt 500, Pt 1000



## Technical Data Sheet

order index - thermocouple 7043																		
type	number of thermocouples		kind of element			thread		measuring point		length of measuring element SL in mm	coat (indicate only if a coat is wanted)		installation length length (EL) in mm	wiring		cable length insert length in mm	multicore cable ends	temperature max. temperature in °C
			Fe-CuNi type L	Fe-CuNi type J	NiCr-Ni type K	M18 x 1,5	1/2"-20 UNF-2A	grounded	insulated		titanium nitride	titanium carbon nitride		straight	angled			
7043	1	2	FK-L	FK-J	NC	BK	DD	e	i	e.g. 20	TiN	TiCN	e.g. 152	G	W	e.g. 3000	A	e.g. 400
<b>example: 7043.1.FK-L.DD.e.20.152.G.3000.A.400 °C</b>																		



### Description:

The fast-acting mass temperature probes type 7043 / 7143 are mainly used for temperature measurement in extruders. These probes are available with one or two thermocouples / resistances. Maximum temperature is 600° C.

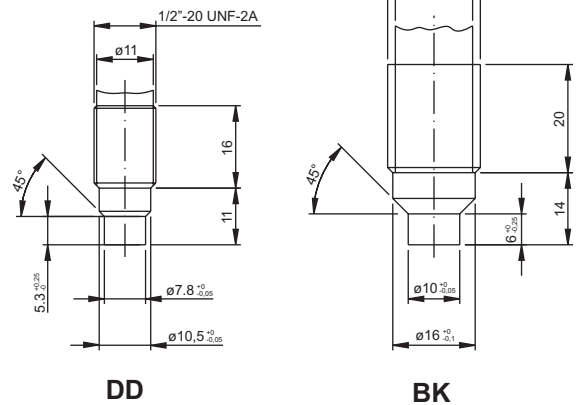
#### types available (7043):

Fe-CuNi type L    DIN 43710  
 (not for new installations)  
 Fe-CuNi type J    DIN EN 60584  
 NiCr-Ni type K    DIN EN 60584

#### types available (7143):

Pt 100 KI. B    DIN EN 60751  
 Pt 500 KI. B    DIN EN 60751  
 Pt 1000 KI. B    DIN EN 60751  
 (other tolerance classes on demand)

(subject to technical alterations)



order index – resistance thermometer 7143																	
type	number of resistances		indicate only for Pt 500 or Pt 1000		indicate only for 3- or 4-cable conduit		thread		length of measuring element length (SL) in mm	coat (indicate only if a coat is wanted)		installation length length (EL) in mm	wiring		cable length insert length in mm	multicore cable ends	temperature max. temperature in °C
			3-L	4-L	BK	DD	M18 x 1,5	1/2"-20 UNF-2A		titanium nitride	titanium carbon nitride		straight	angled			
7143	1	2	e.g. Pt 500		3-L	4-L	BK	DD	e.g. 20	TiN	TiCN	e.g. 152	G	W	e.g. 3000	A	e.g. 400
<b>example: 7143.1.DD.20.152.G.3000.A.400 °C</b>																	

Please state diverging measures in plain text.  
 For different connecting possibilities see 'accessories'.

Please indicate operating temperature and cable length!