

- 1 **Rapid exhaust flow**
- 1 **Positively driven micro-switch**
- 1 **Designed for compliance with Machinery Directive 89/392/EEC**



Technical Data

Medium:

Compressed air, filtered to 40µm, lubricated and non-lubricated.

Operation:

Poppet valve indirectly operated.

Mounting:

Through holes in body.

Port size:

G¹/₂

Operating pressure:

2-10 bar.

Flow characteristics:

	A	l/min	Cv	Kv
1-2	73,35	4460	4,5	3,910
2-3	76,61	4775	4,7	4,084

Ambient temperature:

-20°C to +50°C

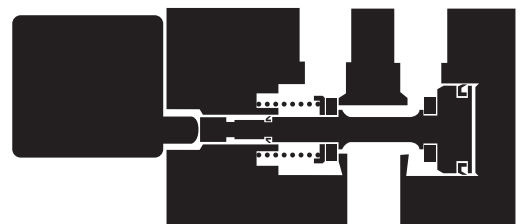
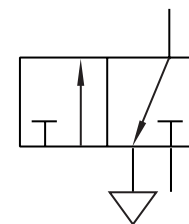
Consult our Technical Service for use under +2°C

Materials:

Aluminium alloy body, pistons and poppet
Nitrile rubber seals.

Ordering Information

To order quote model number and voltage code from tables overleaf: e.g. V18D487X-B113B for a monitored dump valve and 24V d.c. coil.





Monitored Dump Valve

General Information

Symbol	Model No.	Micro switch type	Operating pressure (bar)	Weight	Service Kit
	V18D487X-B11*B	Double break contacts Single circuit	0-10 Min Pilot Pressure 2 bar	1.14 kg	V18D487X-Q0100
	V18D487Y-B11*B	Change over break before make. Dual circuits	0-10 Min Pilot Pressure 2 bar	1.18 kg	V18D487Y-Q0100

* Substitute Voltage Codes from table below.

Voltage Codes *

Voltage	Codes
24 V d.c.	3
110 V a.c. 50/60 Hz	8
220 V a.c. 50/60 Hz	9

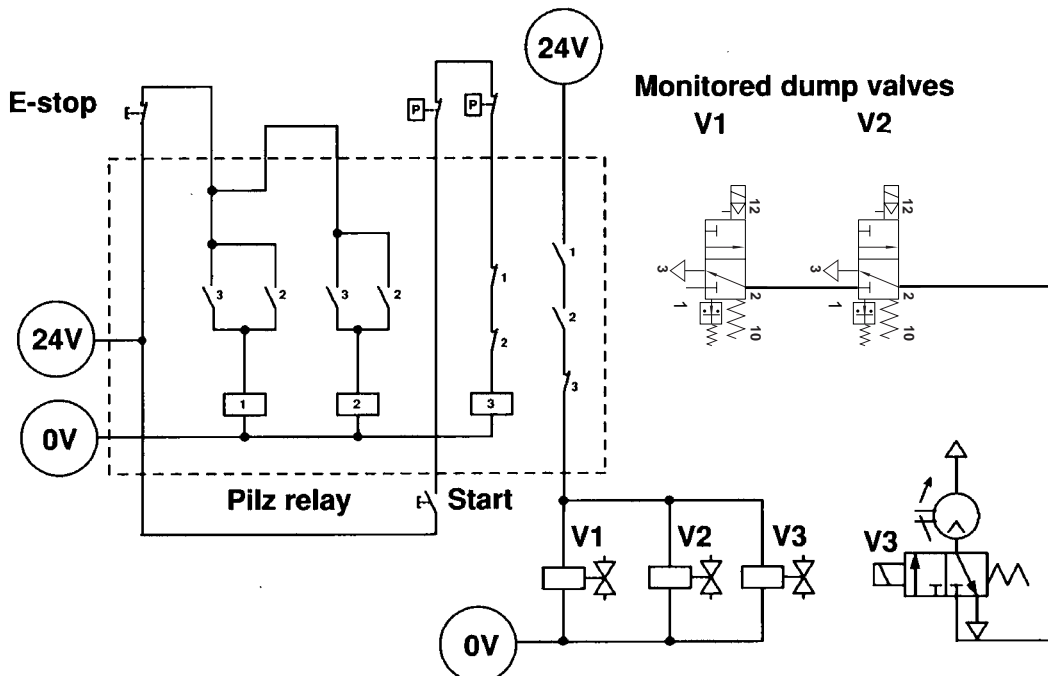
Electrical Details – Solenoid

Power	7.5 W (9VA)
Voltage Tolerance	± 10%
Rating	100% ED
Inlet Orifice	2mm
Electrical Connection	Industrial Standard Form B
Protection Class	IP65 (DIN 40050)

Micro Switch Details

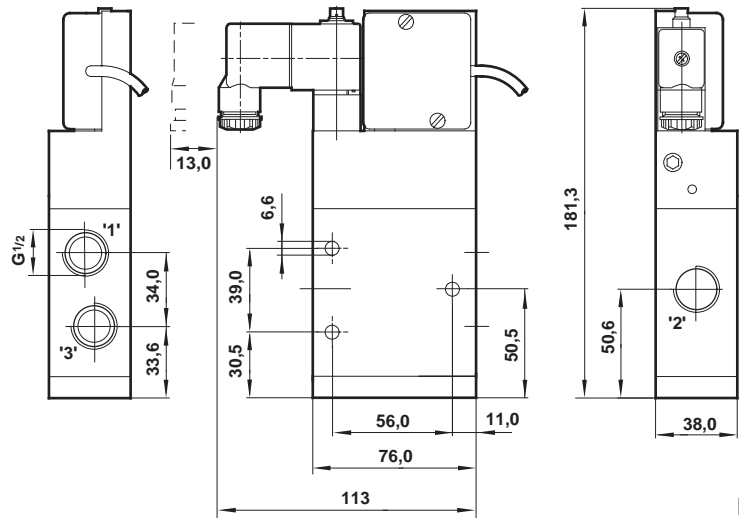
Contact Rating	10A	
Configuration	Type X	Single pole break
	Type Y	Double pole change over

Pilz Safety Relay Circuit



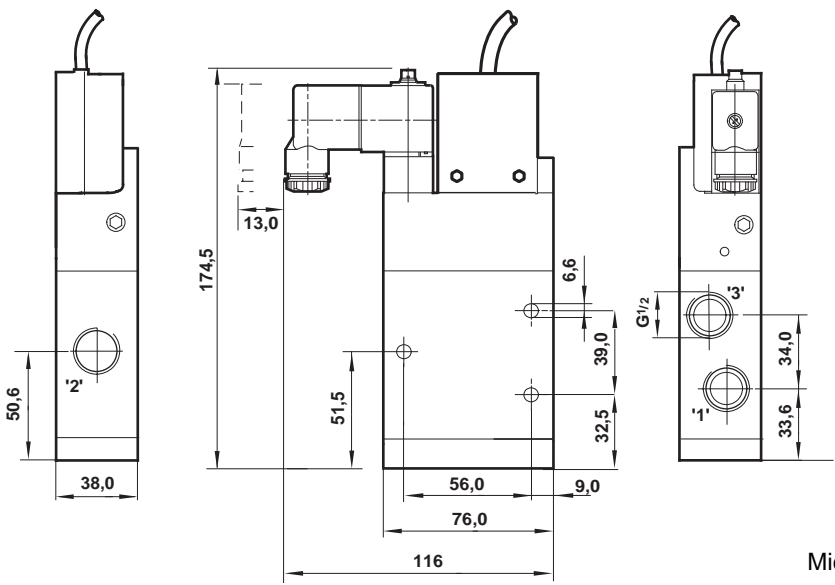


V18D487X-B11*B Model



Micro switch cable length: 1m

V18D487Y-B11*B Model



Micro switch cable length: 2m