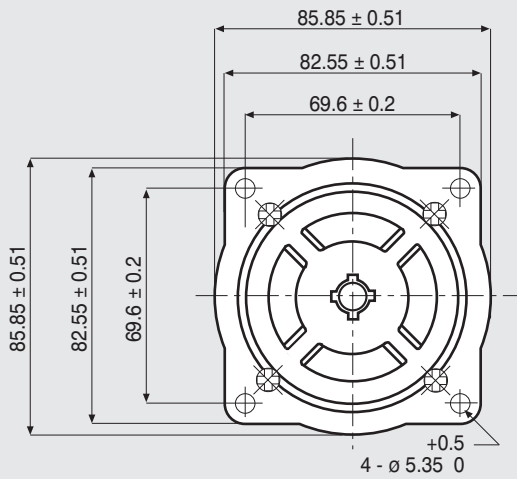
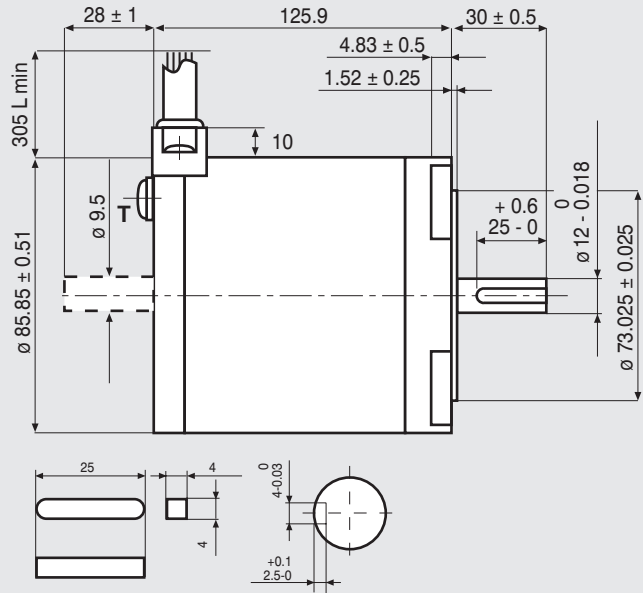


## Dimensions (Unit:mm)



WIRES ARE HOUSED IN A VINYL TUBE.  
T IS THE EARTH TERMINAL.

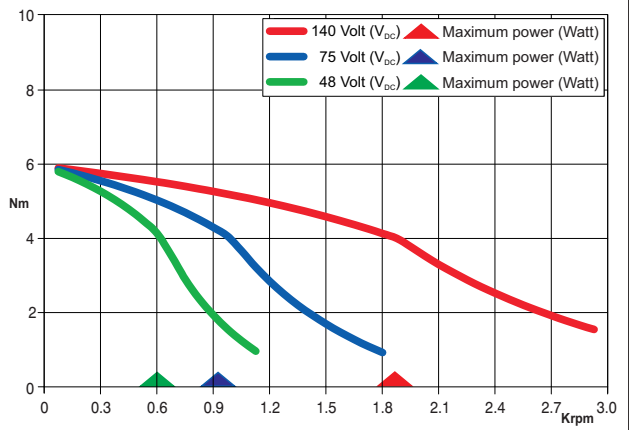


## FEATURES

MODEL	103-H8223-6540 (103-H8223-6510)	
BASIC STEP ANGLE	1.8° ± 0.09°	
BIPOLAR CURRENT	(Amp)	9.0
UNIPOLAR CURRENT	(Amp)	
RESISTANCE	(Ohm)	0.2
INDUCTANCE	(mH)	1.4
BIPOLAR HOLDING TORQUE	(Ncm)	790
UNIPOLAR HOLDING TORQUE	(Ncm)	
ROTOR INERTIA	(Kgm <sup>2</sup> x 10 <sup>-7</sup> )	4350
THEORETICAL ACCELERATION	(rad x sec. <sup>-2</sup> )	18200
BACK E.M.F.	(V/Krpm)	88
MASS	(Kg)	3.5
PROTECTION DEGREE	IP43	
LEADS CODE	V	

Codes between brackets refer to double shaft models.  
Le sigle fra parentesi si riferiscono ai modelli bialbero.

## TORQUE/SPEED CURVE



R.T.A. s.r.l. PAVIA (ITALY) SANYO DENKI CO., Ltd (JAPAN)



EMC - 10 - 14

Suggested R.T.A. driver: PLUS Series.