



aerospace
climate control
electromechanical
filtration
fluid & gas handling
hydraulics
pneumatics
process control
sealing & shielding



LS60 Sensors

Catalog HY33-2373/US



ENGINEERING YOUR SUCCESS.

Application

The LS60 sensor belongs to the family of accessories provided to complement electronic control systems. The LS60 is a solid state level dual axis level sensor for mobile hydraulic applications. Plastic components, internal contacts, and concentricity have been greatly enhanced over previous versions, resulting in superior trip accuracy and reliability. The height has been reduced, and O-ring seals have been added top and bottom to ensure hermeticity necessary to survive the harshest conditions. Custom X and Y trip angles can be created quickly and with minimal expense.

Properties

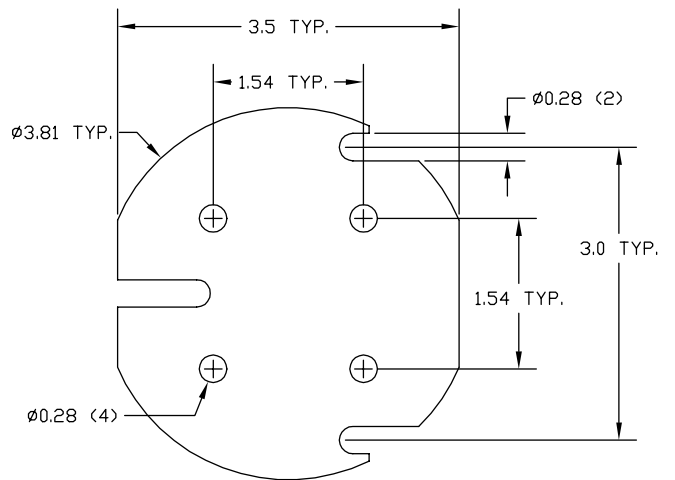
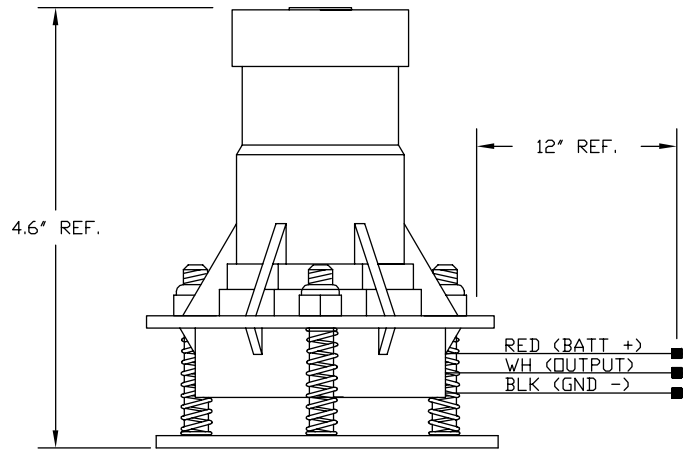
Reliability

The LS60 has a glass-filled nylon plastic construction for strength and corrosion resistance. The sensor uses non-contact technology for trouble free operation. Months of rigorous product testing were conducted prior to final tooling to ensure the highest level of reliability under the most demanding conditions. 100% on-line automated trip angle and timing test equipment assures sensor accuracy. All electronics are tested under load prior to final assembly..

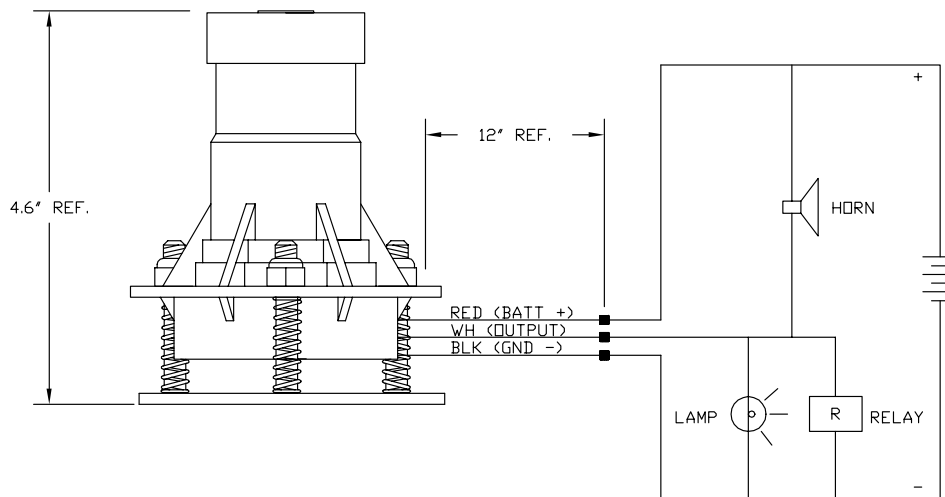
Installation

The LS60 is well designed for the mobile hydraulics industry. The standard top-mounted bubble level makes calibration easy, and the new mounting bracket offers additional mounting options.

As with earlier LS models, a variety of terminations are available for the standard 12" long wires. Other wire lengths may be specified. Easy visual angle confirmations are possible via colored top rings.



units=inch



General

Weight	72 g
Temperature range	-35°C to 85°C
Operating life	1,000,000 cycles
Operating angle	1-10° each axis
Independent linearity	±0.2° FS
Hysteresis	≥0.1°
Repeatability	≥0.1° at angle rotation to same position

Mechanical characteristics

Mounting	Bracket
Wire length	Configurable
Connector	Configurable

Electrical characteristics

Supply Voltage(Vs)	7-48 Vdc
Current supply	50 mA typical
Output current	Max. 1.0 A
Time delay	0-10 seconds

Environmental protection

ESD

EN 61000-4-2	3 kV
--------------	------

Mechanical

Shock	1m drop
Vibration	10 Gs

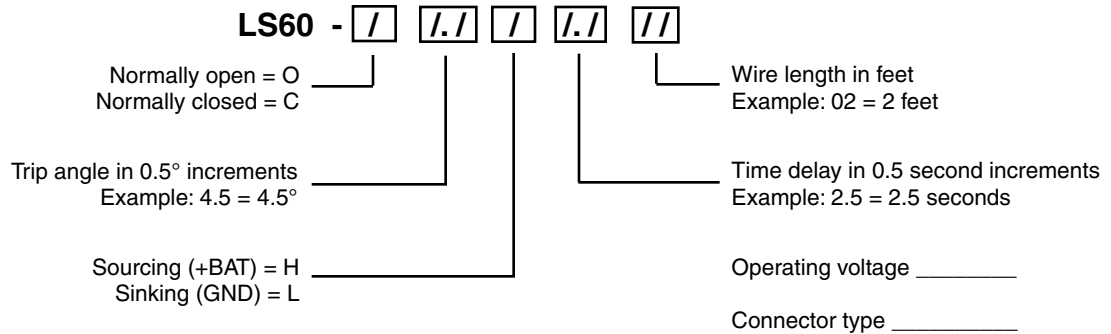
Climate

Sealing	IP67
---------	------

Chemical environment

Liquids (resistance)	standard automotive
----------------------	---------------------

Ordering model number (part number will be assigned by Parker upon receipt of order)



WARNING - USER RESPONSIBILITY

FAILURE OR IMPROPER SELECTION OR IMPROPER USE OF THE PRODUCTS DESCRIBED HEREIN OR RELATED ITEMS CAN CAUSE DEATH, PERSONAL INJURY AND PROPERTY DAMAGE.

- This document and other information from Parker-Hannifin Corporation, its subsidiaries and authorized distributors provide product or system options for further investigation by users having technical expertise.
- The user, through its own analysis and testing, is solely responsible for making the final selection of the system and components and assuring that all performance, endurance, maintenance, safety and warning requirements of the application are met. The user must analyze all aspects of the application, follow applicable industry standards, and follow the information concerning the product in the current product catalog and in any other materials provided from Parker or its subsidiaries or authorized distributors.
- To the extent that Parker or its subsidiaries or authorized distributors provide component or system options based upon data or specifications provided by the user, the user is responsible for determining that such data and specifications are suitable and sufficient for all applications and reasonably foreseeable uses of the components or systems.

OFFER OF SALE

Please contact your Parker representative for a detailed "Offer of Sale".