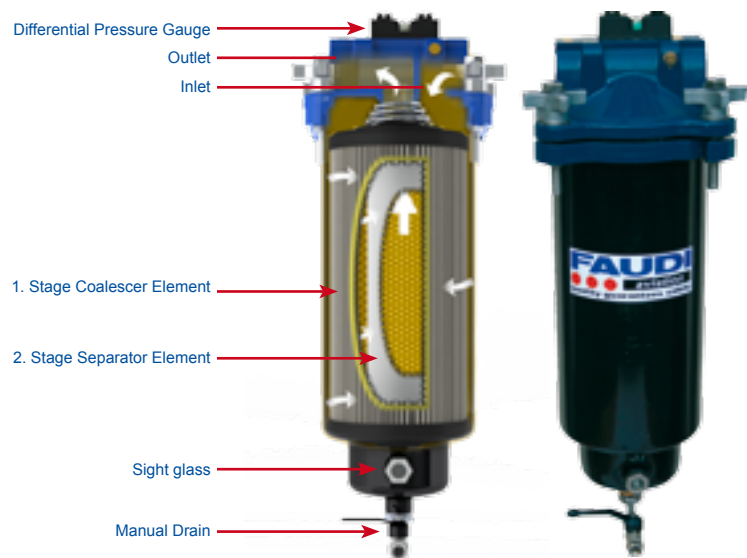


VFC Series

Description

Approved and tested according to EI 1581 5th edition, Category C, Type S & S-LW and Category M, Type S.

The vertical filter water separator Type VFC-1 fascinates by high economic efficiency as well as an easy installation and servicing.



Applications

- Airfield refuelling cars
- Helicopter refuelling
- stationary and mobile fuelling units on small airfields/airports
- Refuelling of small aircrafts
- Filtration of diesel on low flow rates
- Filtration of heating oil
- Refuelling of small ships and barks

Fuels

- Kerosine (Jet Fuel)
- Military Jet Fuels
- AVGAS
- Diesel (other type of element)

Technical Details

VFC-1/254-10	Micron rating (µm)	max. Flow Rate (l/min)				max. Differential Pressure (bar)
		Kerosine		JP4, JP5, JP8	Diesel	
		Cat. C, Type S	Cat. C, Type S-LW	Cat. M, Type S		
Coalescer-/Separator Type						
CS6-254-1	1	71	89	-	29	1.1
MCS6-254-1	1	-	-	52		1.1

VFC-1/355-10	Micron rating (µm)	max. Flow Rate (l/min)				max. Differential Pressure (bar)
		Kerosine		JP4, JP5, JP8	Diesel	
		Cat. C, Type S	Cat. C, Type S-LW	Cat. M, Type S		
Coalescer-/Separator Type						
CS6-355-1	1	110	136	-	45	1.1
MCS6-355-1	1	-	-	74		1.1

- Design Pressure: 10 bar
- Design Temperature: -10°C to +50°C

Maintenance & Inspection

- Vessel cover with Quick Opening for easiest Maintenance

FILTER WATER SEPARATOR

VFC Series

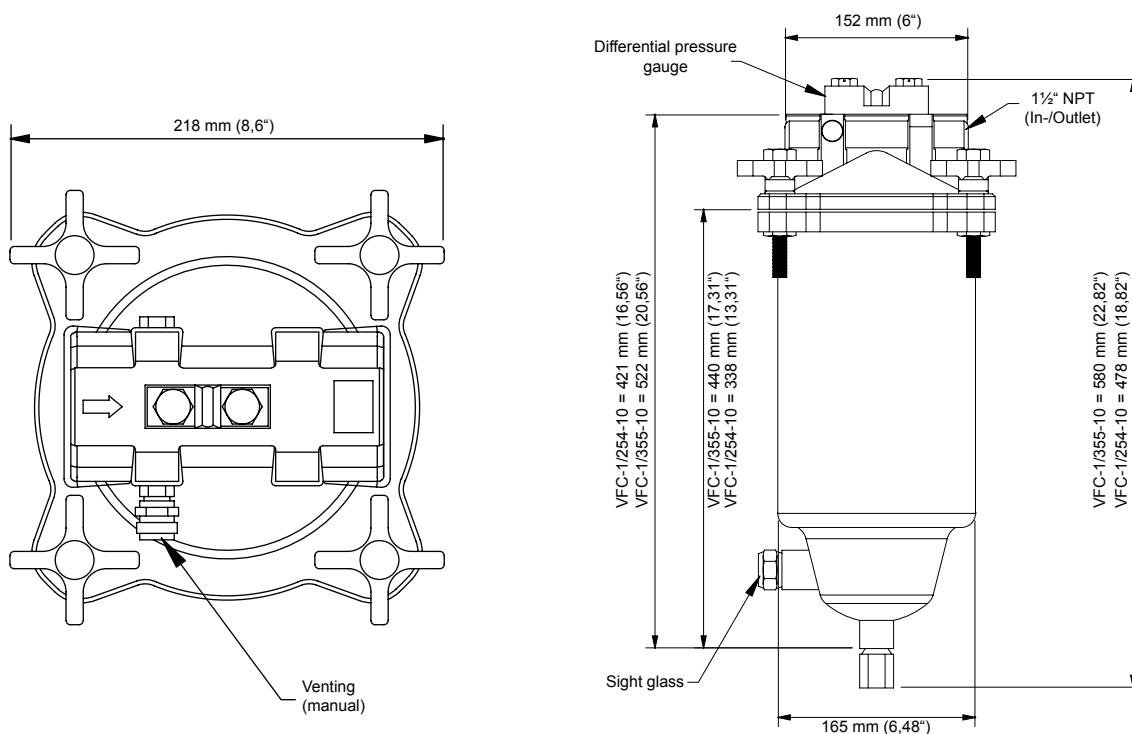
Standard Design

- Head of vessel made from die-cast aluminium
- Vessel made from carbon steel (painted)
- Design pressure 10 bar on +50°C
- Vessel cover with quick opening
- In-/Outlet 1 ½" NPT
- Manual water drain
- Sight glass
- Manual venting
- Differential Pressure Gauge
- Inclusive 1 ea CS6-254-1 or CS6-355-1



Coalescer/Separator-Element

Dimensions



Spare Parts	Quantity	Article No.
VFC-1/254-10	1	3 002 985
VFC-1/355-10	1	3 003 986
Differential pressure gauge	1	3 002531
O-Ring for differential pressure gauge 20,5 x 3 (Viton®)	2	3 003 830
O-Ring for differential pressure gauge 9,52 x 1,78 (Viton®)	2	3 003 831
Seal 158x5,3 (BUNA-N) or	1	3 005 251
Seal 158x5,3 (VITON®)	1	3 005 252
Coalescer-/Separator Type CS6-254-1		3 003 983
Coalescer-/Separator Type CS6-355-1		3 003 984
Coalescer-/Separator Type MCS6-254-1		3 004 519
Coalescer-/Separator Type MCS6-355-1		3 004 507