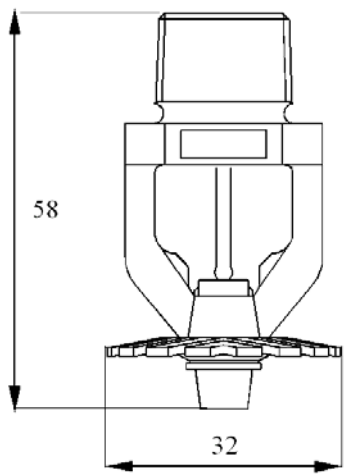


GW S RANGE
K57 - PENDENT SPRAY (SSP)
QUICK RESPONSE SPRINKLER



The GW "S" range of miniature automatic sprinklers offers the very latest in design and performance, being both highly compact and durable. In addition, every "S" sprinkler is fitted with the unique GW double grooved seal. The GW "S" range is manufactured at the company's purpose built European factory which is assessed to ISO 9001. Sprinklers are and approved by LPC and other leading national and international approval authorities*.

GW "S" sprinklers are manufactured in brass, stainless steel, and titanium.



K 57 orifice with 1/2" thread

TECHNICAL SPECIFICATION

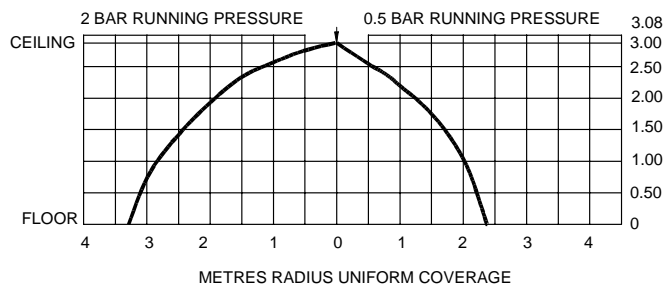
Nominal Bore:	10mm
K Factor:	57±3 (metric)
RTI-Value:	< 50 (metric)
Weight:	69g (Brass)
Thread:	1/2" BSPT (NPT also available)
Maximum Working Pressure:	12.5 Bar
System Test Pressure:	20 Bar
Factory Test Pressure:	35 Bar
Bulb Temperatures:	57°C, 68°C, 79°C, 93°C, 141°C

** for a full, and up to date, list of approvals refer to GW*

Finishes available include chrome plated, electro nickel plated, white painted (to RAL 9010). Custom coloured paint finishes are also available to order.

The GW "S" range is complemented by a unique range of installation efficient colour matching single and recessed two piece rosettes (escutcheons) and by other accessories such as guards, watershields and spanners.

WATER DISTRIBUTION



INSTALLATION: Install in the pendent position. GW spanners must always be used when fitting sprinklers into pipework. Sprinklers that have been dropped or damaged in any way must not be installed. Sprinklers removed from pipework for any reason must not be re-used and must be destroyed.

Brass framed sprinklers should only be installed in non corrosive environments and environments free of ammonia, chloride vapours and cleaning solutions.

Data Sheet: SSP 15mm Qck Rsp K57