

# GEAR PUMPS SF

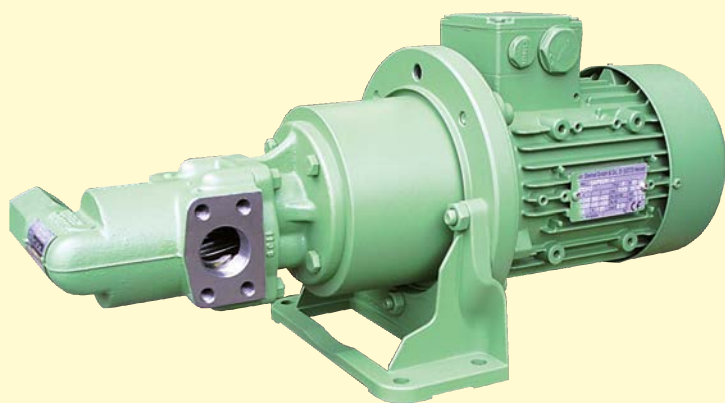


COMPACT AND MODULAR PUMP FOR LOW TO HIGH VISCOSITY MEDIA

- Pulsation-free pumping delivery
- Clockwise or counter-clockwise rotation
- Low noise operation
- Easy to assemble and disassemble
- Several sealing types
- Electrical heating possible



## THE VARIANTS OF THE FEED PUMP SF



### Type SF

- Pulsation-free pumping delivery
- Clockwise or counter-clockwise rotation
- Compact design
- Easy to assemble and disassemble
- Several sealing types
- Electrical heating possible



### Type SF ATEX

- Application in explosive locations acc. to EC-Directives 94/9/EC (ATEX 95)
- Area 1 + 21 with temperature control
- Area 2 + 22 with/without temperature control
- High degree of safety in potentially explosive atmospheres



### Type SF...M with magnetic coupling

- Hermetically closed
- Even at high temperatures and with media difficult to seal
- Application acc. to ATEX possible



### Type SFE with heating

- Electrically heated pump housing with temperature control and heated sealing chamber
- On request with pressure relief valve for both directions
- Operating temperature up to 250 °C
- Viscosity range 5 to 50,000 mm<sup>2</sup>/s

## KEY DATA

- Feeding capacity 2 - 1,000 cm<sup>3</sup> / rotation
- Max. speed 1,800 min<sup>-1</sup>  
(Higher speeds possible depending on application)
- Inlet pressure -0.4 to 10 bar
- Differential pressure up to 25 bar
- Viscosity range 5 to 50,000 mm<sup>2</sup>/s
- Temperature range -40 °C to +250 °C

Depending on the application and varying according to the pump size. Please contact us - we will advise you!

## APPLICATIONS

General machine construction, system engineering, chemical industry, dyestuff industry, filtration, foil manufacture, gear construction, engine construction, paper machines, marine engineering, engineering of lubricating systems, turbine construction, compressors, machine tools, cement systems and many more.

## USE IN THE ATEX-RANGE



We deliver gear pumps according to **EC-Directives 94/9/EC (ATEX 95)**.

Area 1 + 21: devices that ensure a high level of security and are designed for use in atmospheres that are likely to be explosive. **Shaft seal with temperature control**. Area 2 + 22: devices that ensure a normal level of security and are designed for use in atmospheres that are rarely, and if so, only for a short time potentially explosive. **Shaft seal according to application with/without temperature control**.

## MAIN FEATURES

Gear pumps of the series SF are particularly suitable for the transport of media that do neither contain solids nor chemically attack the pump materials while ensuring a minimum lubricity.

The standard version is delivered with rotation „clockwise“. Simply turn the pump housing by 180° which - even retroactively - allows a changing of the rotational direction. This also changes the direction of the flow.

Upon request we supply the pumps with an adjustable pressure relief valve built in the housing for short-term protection against pressure spikes.

In addition to the direct installation of the pumps the execution of the mounting flange and shaft end also permits many variations of the aggregate assembly.

The optimum integration with minimal tolerances of the pinions and gear wheels cause an extremely smooth running. The use of gear wheels with 12 teeth reduces the delivery flow pulsation. This is an important contribution to noise reduction.

The shaft journals are mounted in composite bearing bushings, which allow a high continuous duty, and ensure long service life.

To accommodate radial and axial forces all pump sizes can be equipped with an antifriction bearing at the driving end.

**In supplement to the standard program, we offer a variety of special designs.**

## RANGE OF PUMPING LIQUIDS (EXTR.)

used oil • binding agent • bitumen • brake fluid • diesel oil  
printing inks • emulsions • colours • fats • transmission  
lubricant • glycol • resins • fuel oil • hydraulic oil • iso-  
cyanate • cocoa butter • cocoa mass • refrigeration oil  
glue • engine oil • paraffins • vegetable oil • polygy-  
col oil • polyol • lubricating oil • cutting oil • heavy oil  
turbine oil • waxes • heat transfer oil • plasticizer oil  
drawing oil • and many more

## STEIMEL DEVELOPS AND MANUFACTURES INDIVIDUAL PUMPS

The most modern software is used to design and develop the layout according to the individual application criteria of our customers.

In the process, the adaptation of our pumps to your equipment as well as the determination of the ideal operating points for the respective application is taken into consideration.

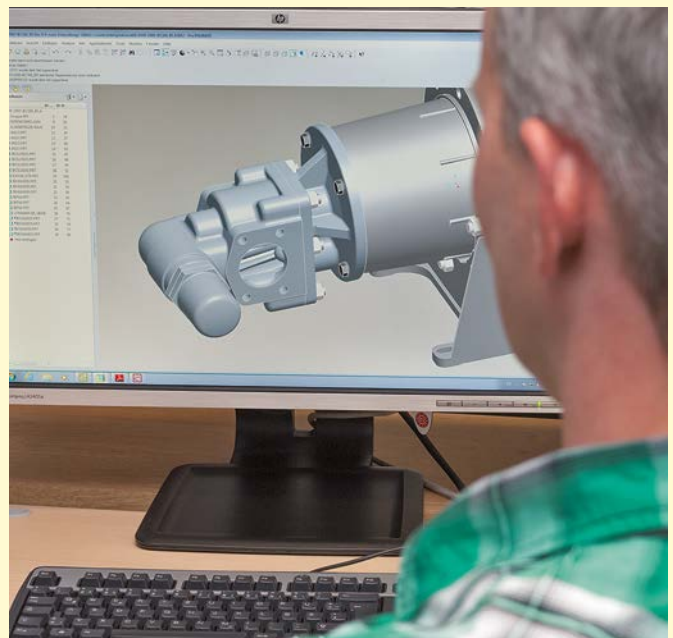
Our experienced engineers and technicians work with the aim of achieving a high efficiency in order to increase energy efficiency with a reduction of noise emission at the same time.

Thus, subjects, such as

- flow analysis and
- cavitation examinations

are assisted by a close co-operation with universities and institutes.

With respect to lifetime, we carry out tests on our test benches in the company, and alternatively we offer to carry out tests directly on your plant with your medium.



## CLASSIFICATION OF VARIANTS

### Construction types

<b>SF</b>	Standard design
<b>D</b>	Pressure relief valve (DBV)
<b>F</b>	Base
<b>VL</b>	Lantern according to VDMA
<b>VLM</b>	Lantern with motor according to VDMA
<b>VLMF</b>	Lantern w. motor and motor base acc. to VDMA
<b>VLFM</b>	Lantern w. base and motor acc. to VDMA

### Shaft seals

<b>R</b>	Radial shaft seal (WDR)
<b>G</b>	Mechanical seal (GLRD)
<b>P</b>	Stuffing box packing
<b>GGK</b>	Double mechanical seal with support bearing and quench recipient
<b>KR</b>	Ball bearing with radial shaft seal
<b>M</b>	Magnetic coupling

## ORDERING EXAMPLE

**SF 4/63 RD-VLFM**

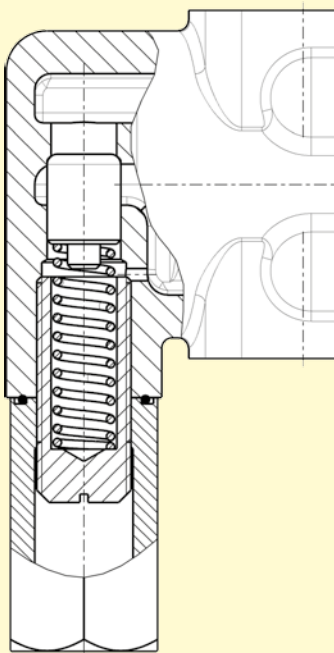
<b>SF</b>	Pump type
<b>4</b>	Size
<b>63</b>	Geometric displacement (cm <sup>3</sup> )
<b>R</b>	Radial shaft seal
<b>D</b>	Pressure relief valve
<b>VLF</b>	Lantern with base
<b>M</b>	Drive motor

## CONSTRUCTIONS

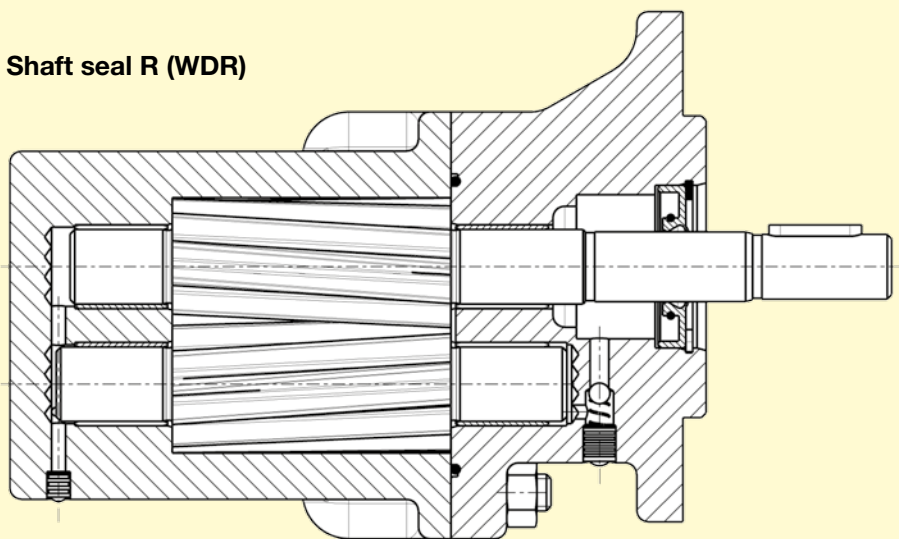
Casing parts:	Grey cast iron, optional Nodular iron or Cast steel
Pinion shafts (SF 2+3):	Case hardening steel Hardened, helical-toothed, Profile-grinded gear teeth
Shafts (SF 4-10):	Case hardening steel Hardened
Gear wheels (SF 4-10):	Nodular iron ionitrided, Helical-toothed
Bearings:	Composite slide bearings, Bronze
Shaft seal:	Radial shaft seal, Mechanical seal, Stuffing box packing or Magnetic coupling
Pump body seal:	O-Ring NBR (Perbunan®) O-Ring FKM (Viton®) O-Ring PTFE (Teflon®)
Other materials, seals and special designs on request.	

## DETAILS IN SECTION

Optional pressure relief valve DBV

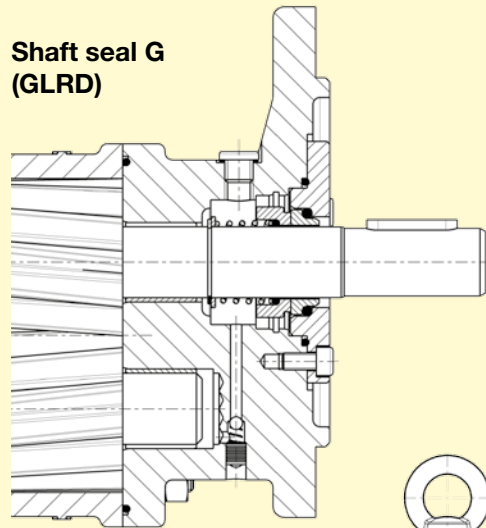


Shaft seal R (WDR)

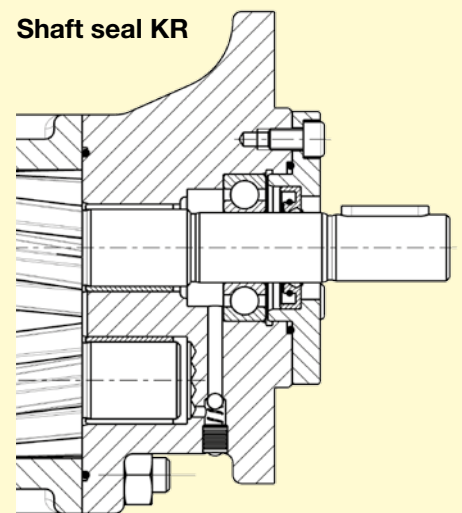




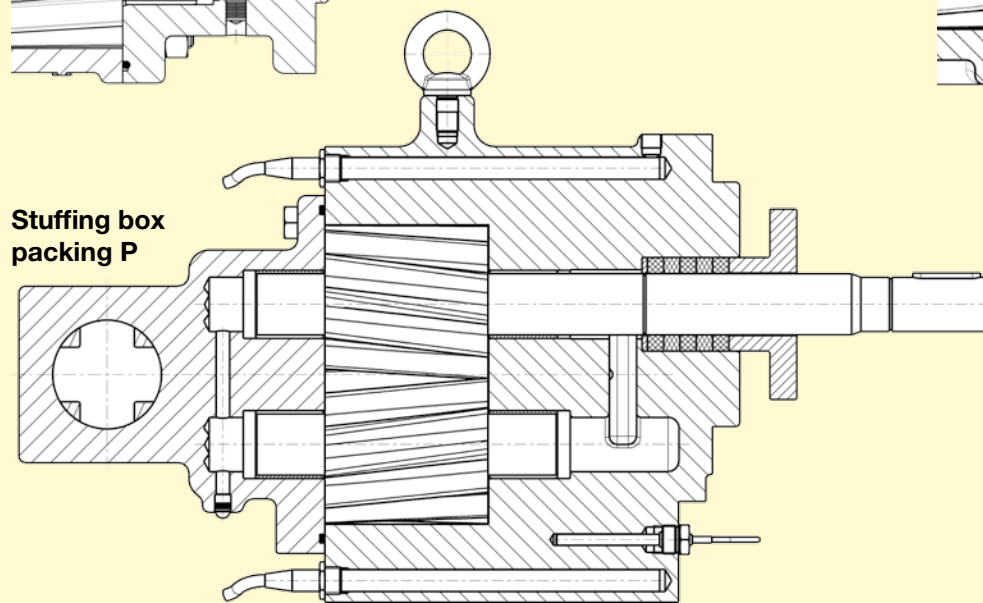
# DETAILS IN SECTION



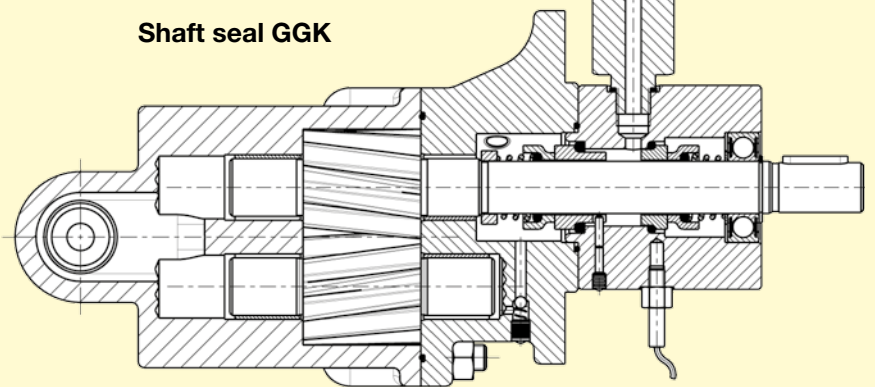
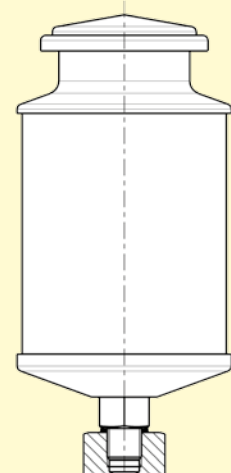
Shaft seal G  
(GLRD)



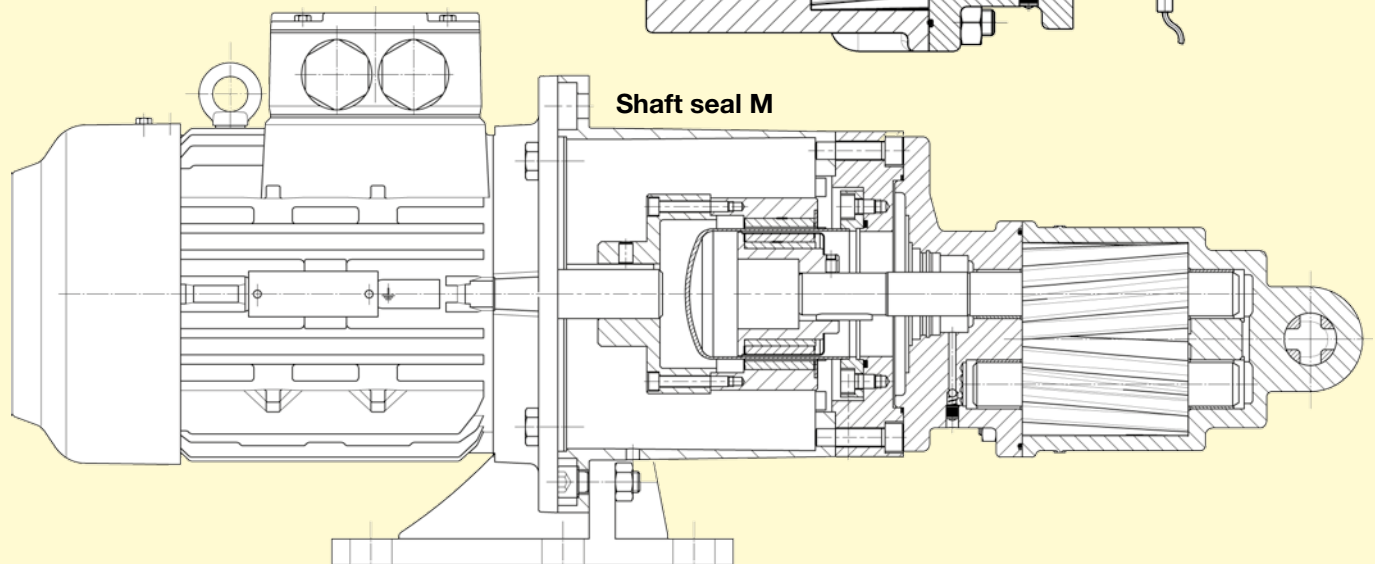
Shaft seal KR



Stuffing box  
packing P



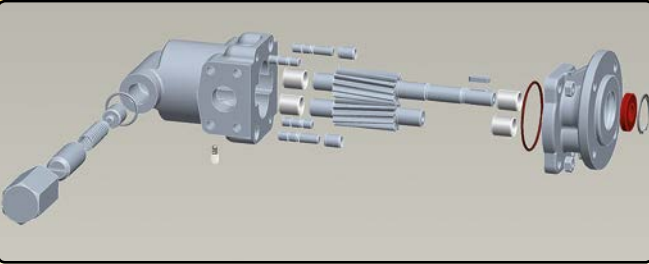
Shaft seal GGK



Shaft seal M

# COMPONENTS OVERVIEW

## Example composition



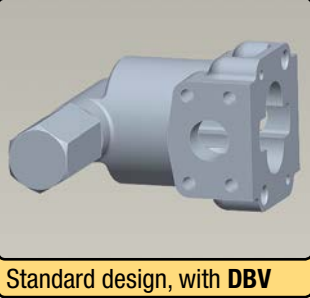
The parts of an SF pump presented in the components overview are to illustrate the variety of this type of pump.

For the sake of clarity, not all optional components are shown. Here we show the essential parts.

Gebr. Steimel is your partner for individual solutions. Talk to us without obligation if you are interested in a consultation on the standard components or even in a customized version besides the range shown here.

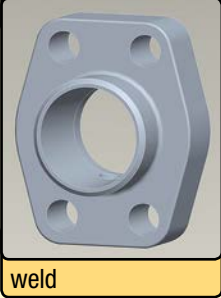
The marking of the ATEX-compliant assemblies made here is not sufficient for an aggregate compilation. ATEX units require advice.

### Casing SF2-SF10



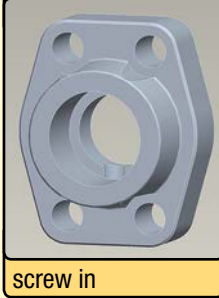
Standard design, with **DBV**

### Flange SAE



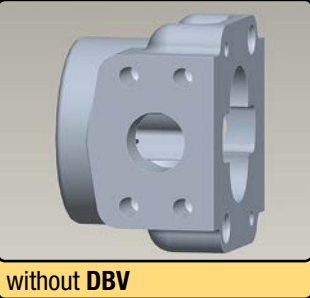
weld

### Flange SAE



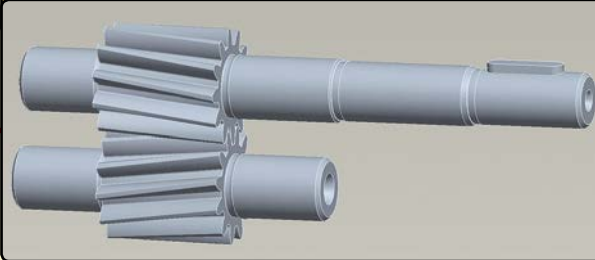
screw in

### Casing SF2-SF10

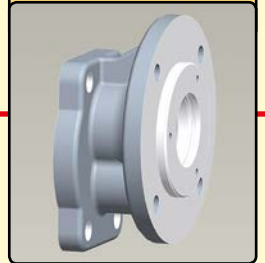


without **DBV**

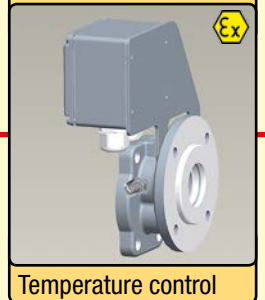
### Rotating parts



### Cover

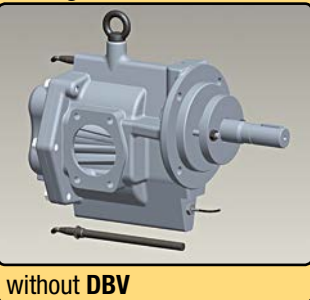


### Cover



Temperature control

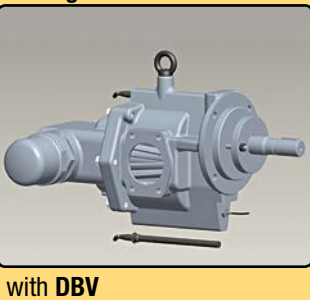
### Casing SFE



without **DBV**

- Main structural components of the pump
- Connection options at the pressure connection and suction port
- Optional components

### Casing SFE



with **DBV**

### Recipient tank



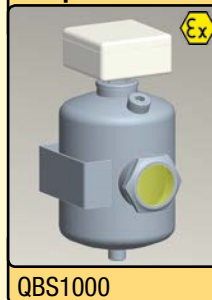
QB500

### Recipient tank



QB1000

### Recipient tank

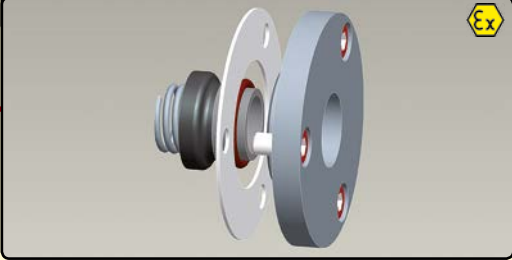


QBS1000

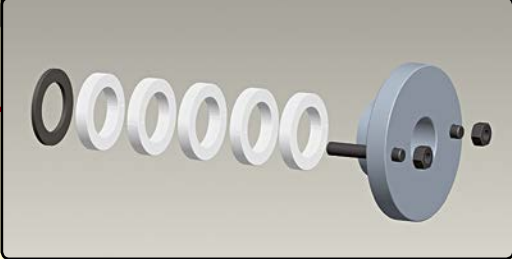
Radial shaft seal **WDR**



Mechanical seal **GLRD**



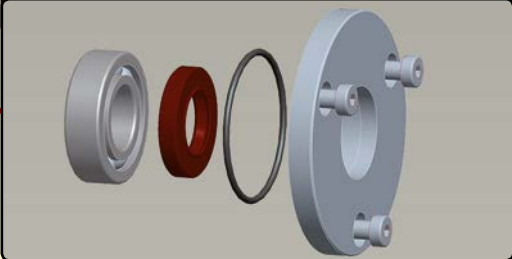
Stuffing box packing **P**



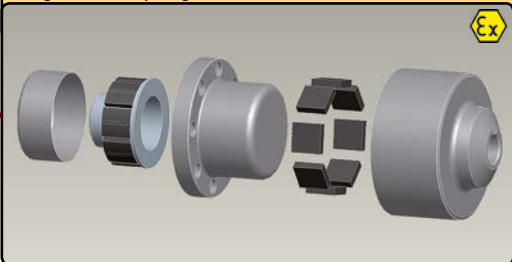
Double mechanical seal **GGK**



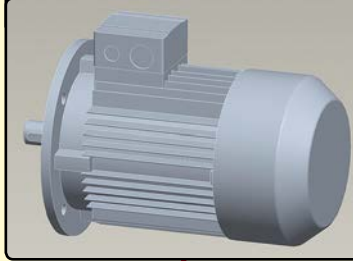
Ball bearing with radial shaft seal **KR**



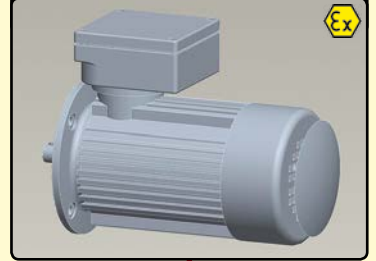
Magnetic coupling **M**



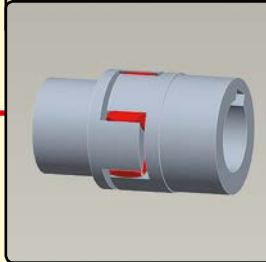
Electric motor



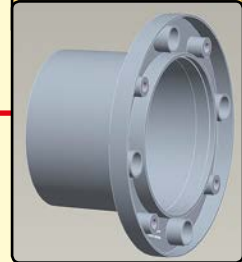
Electric motor acc. to ATEX



Coupling



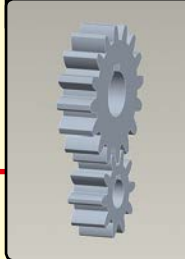
Lantern



Base



External drive



PT100



# FLOW RATES SF

Size	Pump rate	Pressure p (bar) at speed n = 1,450 min <sup>-1</sup>										Pump rate cm <sup>3</sup> /U
	Rating	2	4	6	8	10	12	14	16	20	25	
SF 2/2	<i>l/min</i>	3.48	3.19	2.99	2.70	2.50						2
	<i>NkW</i>	0.10	0.10	0.10	0.12	0.13						
	<i>kW</i>	0.25	0.25	0.25	0.25	0.25						
SF 2/3	<i>l/min</i>	4.32	4.06	3.87	3.67	3.48						3
	<i>NkW</i>	0.10	0.10	0.12	0.15	0.17						
	<i>kW</i>	0.25	0.25	0.25	0.25	0.25						
SF 2/4	<i>l/min</i>	5.32	5.12	4.93	4.64	4.45	4.16	3.96	3.77			4
	<i>NkW</i>	0.10	0.13	0.16	0.18	0.21	0.24	0.26	0.29			
	<i>kW</i>	0.25	0.25	0.25	0.25	0.37	0.37	0.37	0.37			
SF 2/5	<i>l/min</i>	7.44	6.96	6.67	6.28	6.09	5.70	5.41	5.12	4.74		5
	<i>NkW</i>	0.12	0.15	0.18	0.21	0.24	0.28	0.31	0.34	0.40		
	<i>kW</i>	0.25	0.25	0.25	0.37	0.37	0.37	0.55	0.55	0.55		
SF 2/6	<i>l/min</i>	9.38	8.89	8.51	8.12	7.83	7.44	7.06	6.67	5.99		6
	<i>NkW</i>	0.13	0.17	0.21	0.25	0.29	0.32	0.36	0.40	0.47		
	<i>kW</i>	0.25	0.25	0.37	0.37	0.37	0.55	0.55	0.55	0.75		
SF 2/8	<i>l/min</i>	11.70	11.21	10.63	10.15	9.67	9.18	8.80	8.31	7.35	6.28	8
	<i>NkW</i>	0.15	0.19	0.24	0.29	0.33	0.37	0.42	0.45	0.54	0.65	
	<i>kW</i>	0.25	0.25	0.37	0.37	0.55	0.55	0.55	0.55	0.75	1.1	
SF 2/10	<i>l/min</i>	15.47	14.99	14.50	14.11	13.73	13.34	12.95	12.47	11.60	10.63	10
	<i>NkW</i>	0.18	0.23	0.28	0.33	0.38	0.42	0.46	0.51	0.61	0.72	
	<i>kW</i>	0.25	0.37	0.37	0.55	0.55	0.55	0.75	0.75	0.75	1.1	
SF 2/13	<i>l/min</i>	19.53	18.85	18.27	17.59	17.11	16.53	16.05	15.56	14.60	13.44	13
	<i>NkW</i>	0.21	0.26	0.32	0.37	0.42	0.47	0.53	0.58	0.69	0.82	
	<i>kW</i>	0.37	0.37	0.55	0.55	0.55	0.75	0.75	0.75	1.1	1.1	
SF 2/16	<i>l/min</i>	24.75	23.97	23.39	22.72	22.14	21.46	20.88	20.20	19.14	17.40	16
	<i>NkW</i>	0.24	0.31	0.38	0.45	0.52	0.60	0.67	0.74	0.89	1.07	
	<i>kW</i>	0.37	0.37	0.55	0.55	0.75	0.75	1.1	1.1	1.1	1.5	
SF 2/20	<i>l/min</i>	29.77	28.90	28.03	27.16	26.39	25.62	24.84	23.97	22.43	20.69	20
	<i>NkW</i>	0.26	0.36	0.44	0.53	0.63	0.72	0.82	0.92	1.11	1.35	
	<i>kW</i>	0.37	0.55	0.55	0.75	0.75	1.1	1.1	1.1	1.5	2.2	
SF 3/25	<i>l/min</i>	38.3	37.9	37.5	37.1	36.7	36.4	36.0	35.6	34.8	33.8	25
	<i>NkW</i>	0.46	0.60	0.73	0.88	1.00	1.14	1.28	1.42	1.69	2.03	
	<i>kW</i>	0.75	0.75	1.1	1.1	1.5	1.5	2.2	2.2	2.2	3	
SF 3/32	<i>l/min</i>	51.5	50.8	50.3	49.9	49.5	48.9	48.5	48.0	47.2	45.9	32
	<i>NkW</i>	0.60	0.77	0.95	1.12	1.29	1.45	1.67	1.80	2.17	2.57	
	<i>kW</i>	0.75	1.1	1.5	1.5	2.2	2.2	2.2	2.2	3	4	
SF 3/40	<i>l/min</i>	61.9	61.4	60.9	60.2	59.6	59.0	58.5	57.8	56.7	55.4	40
	<i>NkW</i>	0.62	0.81	1.00	1.20	1.40	1.60	1.80	2.01	2.42	2.90	
	<i>kW</i>	0.75	1.1	1.5	1.5	2.2	2.2	2.2	3	3	4	
SF 3/50	<i>l/min</i>	73.7	72.7	72.0	71.1	70.2	69.4	68.6	67.6	65.7	63.8	50
	<i>NkW</i>	0.77	0.98	1.23	1.47	1.74	1.95	2.22	2.46	2.95	3.58	
	<i>kW</i>	1.1	1.5	1.5	2.2	2.2	3	3	3	4	5.5	
SF 4/63	<i>l/min</i>	92.3	91.8	90.9	90.4	89.4	88.9	88.0	87.5	86.0	84.1	63
	<i>NkW</i>	1.06	1.34	1.64	1.93	2.24	2.51	2.80	3.14	3.77	4.54	
	<i>kW</i>	1.5	2.2	2.2	3	3	3	4	4	5.5	5.5	
SF 4/80	<i>l/min</i>	110	109	108	107	106	105	104	103	101	99	80
	<i>NkW</i>	1.14	1.50	1.87	2.21	2.58	2.97	3.24	3.57	4.32	5.18	
	<i>kW</i>	1.5	2.2	3	3	4	4	4	5.5	5.5	7.5	
SF 4/90	<i>l/min</i>	129	127	126	124	123	121	120	118	116	114	90
	<i>NkW</i>	1.16	1.61	2.04	2.45	2.83	3.40	3.72	4.09	5.02	6.06	
	<i>kW</i>	1.5	2.2	3	3	4	5.5	5.5	5.5	7.5	7.5	

NkW = Nominal power consumption at the pump shaft relative to a viscosity of 50-150 mm<sup>2</sup>/s (cSt). With a viscosity > 150 mm<sup>2</sup>/s (cSt), the nominal power consumption increases.

Subject to change.

The flow rate (l / min) refers to 1,450 1/min. It is reduced according to the rated speed of the engine. Deviation of flow ±5%.

A viscosity of less than 50 mm<sup>2</sup>/s reduces the capacity.

1 Required drive power (20% surcharge is included).



# FLOW RATES SF

Size	Pump rate	Pressure p (bar) at speed n = 1,450 min <sup>-1</sup>										Pump rate cm <sup>3</sup> /U
	Rating	2	4	6	8	10	12	14	16	20	25	
SF 4/112	I/min	148	146	144	142	140	139	137	135	132	128	112
	NkW	1.24	1.72	2.24	2.70	3.35	3.67	4.30	4.80	5.80	7.06	
Motor <sup>1</sup>	kW	1.5	2.2	3	4	4	5.5	5.5	7.5	7.5	11	
SF 6/120	I/min	176	175	174	173	171	170	169	167	165		120
	NkW	1.59	2.17	2.75	3.38	3.96	4.54	5.12	5.70	6.86		
Motor <sup>1</sup>	kW	2.2	3	4	5.5	5.5	5.5	7.5	7.5	11		
SF 6/132	I/min	193	192	191	190	188	187	186	185	183		132
	NkW	1.79	2.48	3.19	3.91	4.59	5.32	5.99	6.72	8.12		
Motor <sup>1</sup>	kW	2.2	3	4	5.5	5.5	7.5	7.5	11	11		
SF 6/160	I/min	229	228	227	225	224	223	222	221	219		160
	NkW	1.98	2.80	3.67	4.49	5.32	6.19	7.01	7.83	9.52		
Motor <sup>1</sup>	kW	3	4	5.5	5.5	7.5	7.5	11	11	15		
SF 6/180	I/min	263	262	261	259	258	256	255	254	252		180
	NkW	2.17	3.19	4.17	5.17	6.14	7.15	8.12	9.09	11.12		
Motor <sup>1</sup>	kW	3	4	5.5	7.5	7.5	11	11	11	15		
SF 8/212	I/min	318	316	314	311	308	304	300	296	290		212
	NkW	2.7	3.8	4.9	6.0	7.2	8.3	9.6	10.7	13.0		
Motor <sup>1</sup>	kW	4	5.5	7.5	7.5	11	11	15	15	18.5		
SF 8/250	I/min	370	368	366	363	360	356	352	348	342		250
	NkW	3.3	4.6	6.0	7.4	8.8	10.2	11.3	12.5	15.4		
Motor <sup>1</sup>	kW	4	5.5	7.5	11	11	15	15	15	18.5		
SF 8/300	I/min	445	443	440	437	434	430	426	422	416		300
	NkW	3.7	5.3	6.9	8.6	10.2	11.7	13.4	15.0	18.3		
Motor <sup>1</sup>	kW	5.5	7.5	11	11	15	15	18.5	18.5	22		
SF 8/350	I/min	518	515	512	508	504	500	495	490	483		350
	NkW	4.5	6.4	8.3	10.4	12.3	14.2	16.1	18.0	22.1		
Motor <sup>1</sup>	kW	5.5	7.5	11	15	15	18.5	22	22	30		
SF 8/400	I/min	592	589	586	582	578	574	569	564			400
	NkW	6.0	8.0	9.9	11.9	13.9	16.0	18.1	20.1			
Motor <sup>1</sup>	kW	7.5	11	15	15	18.5	22	22	30			
SF 8/450	I/min	665	661	657	653	649	645	640	635			450
	NkW	6.8	9.2	11.5	13.7	16.1	18.3	20.6	22.9			
Motor <sup>1</sup>	kW	11	11	15	18.5	22	22	30	30			
SF 10/500	I/min	715	704	694	677	667	657	647	640			500
	NkW	6.6	9.35	12.1	14.9	17.6	20.4	22.6	25.3			
Motor <sup>1</sup>	kW	11	11	15	18.5	22	30	30	30			
SF 10/575	I/min	835	825	815	800	785	770					575
	NkW	7.7	10.9	14.1	17.3	20.5	23.8					
Motor <sup>1</sup>	kW	11	15	18.5	22	30	30					
SF 10/650	I/min	965	955	945	930	915	900					650
	NkW	8.8	12.5	16.2	19.8	23.5	27.1					
Motor <sup>1</sup>	kW	11	15	22	30	30	37					
SF 10/750	I/min	1,075	1,055	1,035	1,015	995	970					750
	NkW	9.9	14.0	18.2	22.3	26.4	30.6					
Motor <sup>1</sup>	kW	15	18.5	22	30	37	37					
SF 10/875	I/min	1,258	1,238	1,218	1,198	1,178						875
	NkW	11.6	16.4	21.2	26.0	30.8						
Motor <sup>1</sup>	kW	15	22	30	37	37						
SF 10/1000	I/min	1,440	1,420	1,400	1,380	1,360						1,000
	NkW	13.2	18.7	24.2	29.7	35.2						
Motor <sup>1</sup>	kW	18.5	22	30	37	45						

NkW = Nominal power consumption at the pump shaft relative to a viscosity of 50-150 mm<sup>2</sup>/s (cSt). With a viscosity > 150 mm<sup>2</sup>/s (cSt), the nominal power consumption increases.

Subject to change.

The flow rate (l / min) refers to 1,450 l/min. It is reduced according to the rated speed of the engine. Deviation of flow ±5%.

A viscosity of less than 50 mm<sup>2</sup>/s reduces the capacity.

<sup>1</sup> Required drive power (20% surcharge is included).

## SFE8 AND SFE10 WITH ELECTRICAL HEATING

Size	Pump rate	Pressure p (bar) at speed n = 950 min <sup>-1</sup>					Pump rate cm <sup>3</sup> /U
	Rating	2	4	6	8	10	
SFE 8/250	<i>l/min</i>	242	241	240	238	236	250
	<i>NkW</i>	2.2	3.0	3.9	4.8	5.8	
	<i>kW</i>	3.0	4.0	5.5	7.5	7.5	
SFE 8/300	<i>l/min</i>	292	290	288	286	284	300
	<i>NkW</i>	2.4	3.5	4.5	5.6	6.7	
	<i>kW</i>	3.0	5.5	5.5	7.5	11.0	
SFE 8/350	<i>l/min</i>	339	337	335	333	330	350
	<i>NkW</i>	2.9	4.3	5.4	6.8	8.1	
	<i>kW</i>	4.0	5.5	7.5	11.0	11.0	
SFE 8/425	<i>l/min</i>	412	409	407	404	401	425
	<i>NkW</i>	3.6	5.1	6.6	8.3	9.8	
	<i>kW</i>	5.5	7.5	7.5	11.0	11.0	
SFE 10/500	<i>l/min</i>	468	461	455	444	437	500
	<i>NkW</i>	4.3	6.1	7.9	9.8	11.5	
	<i>kW</i>	5.5	7.5	11.0	15.0	15.0	
SFE 10/575	<i>l/min</i>	547	541	534	524	514	575
	<i>NkW</i>	5.0	7.1	9.2	11.3	13.4	
	<i>kW</i>	7.5	11.0	15.0	15.0	18.5	
SFE 10/650	<i>l/min</i>	632	626	619	609	599	650
	<i>NkW</i>	5.8	8.2	10.6	13.0	15.4	
	<i>kW</i>	7.5	11.0	15.0	18.5	18.5	
SFE 10/750	<i>l/min</i>	704	691	678	665	652	750
	<i>NkW</i>	6.5	9.2	11.9	14.6	17.3	
	<i>kW</i>	11.0	15.0	15.0	18.5	22.0	
SFE 10/875	<i>l/min</i>	824	811	798	785	772	875
	<i>NkW</i>	7.6	10.7	13.9	17.0	20.2	
	<i>kW</i>	11.0	15.0	18.5	22.0	30.0	
SFE 10/1000	<i>l/min</i>	943	930	917	904	891	1,000
	<i>NkW</i>	8.6	12.3	15.9	19.5	23.1	
	<i>kW</i>	11.0	15.0	22.0	30.0	30.0	

NkW = Nominal power consumption at the pump shaft relative to a viscosity of 50-150 mm<sup>2</sup>/s (cSt). With a viscosity > 150 mm<sup>2</sup>/s (cSt), the nominal power consumption increases.  
 The flow rate (l / min) refers to 950 1/min. It is reduced according to the rated speed of the engine. Deviation of flow ±5%.

Subject to change.

A viscosity of less than 50 mm<sup>2</sup>/s reduces the capacity.

1 Required drive power (20% surcharge is included).

## SFE 10 WITH OPTIONAL DOUBLE PRESSURE RELIEF VALVE



The double pressure relief valve of the SF / SFE 10 Steimel - gear pumps **protects the pump and the motor in both pumping directions against overloading.**

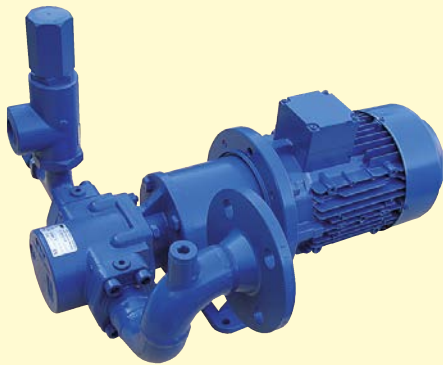
For example, fields of application for the pumps would be tank systems in the **bitumen processing industry** in which the pumps are used for filling and emptying.

In this case, the new valves offer a simple and economically attractive solution for pressure relieving in the event of a fault caused by a blocked pressure line in your system.

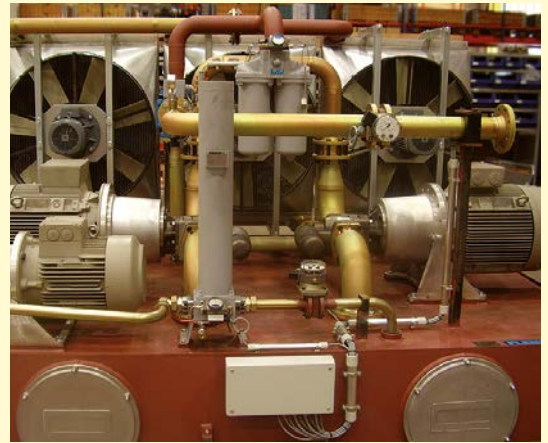
Steimel offers a useful option that contributes to system safety and saves costs.

## MODEL EXAMPLES

### For general machine construction, engineering



e.g. lubricating pump in an oil supply system with filter and oil coolers



### For the dyestuff and lacquer industry



e.g. binders pump (resins) according to ATEX with double GLRD (mechanical seal), quench recipient and temperature control



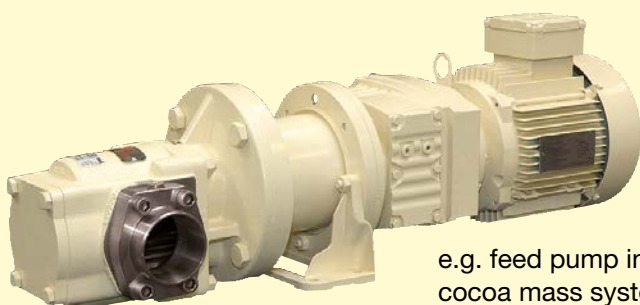
### For the chemical industry, petrochemistry



e.g. solvent pump according to ATEX with magnetic coupling and temperature control



### For the chocolate industry



e.g. feed pump in chocolate or cocoa mass systems

