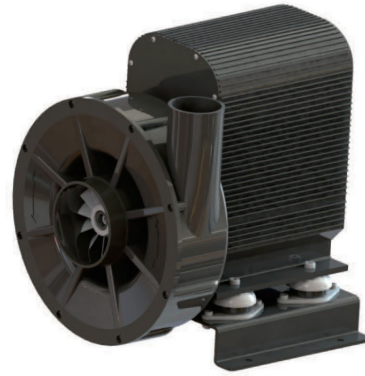


Next Generation High Speed Blowers

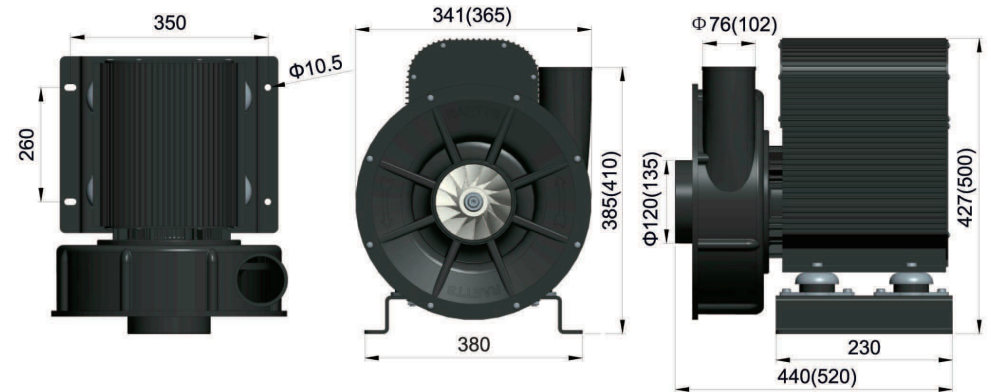
The Airtec range of High Speed Blowers have been built from the ground up to offer unmatched efficiency for medium to high velocity airknife applications.

The result is a blower capable of achieving the same performance as much larger 1st generation direct drive and belt driven high speed blowers.

The impeller has been specifically designed to offer a flat response curve over the typical pressures required to drive an air knife in the velocity range of 70 to 200 metres per second.



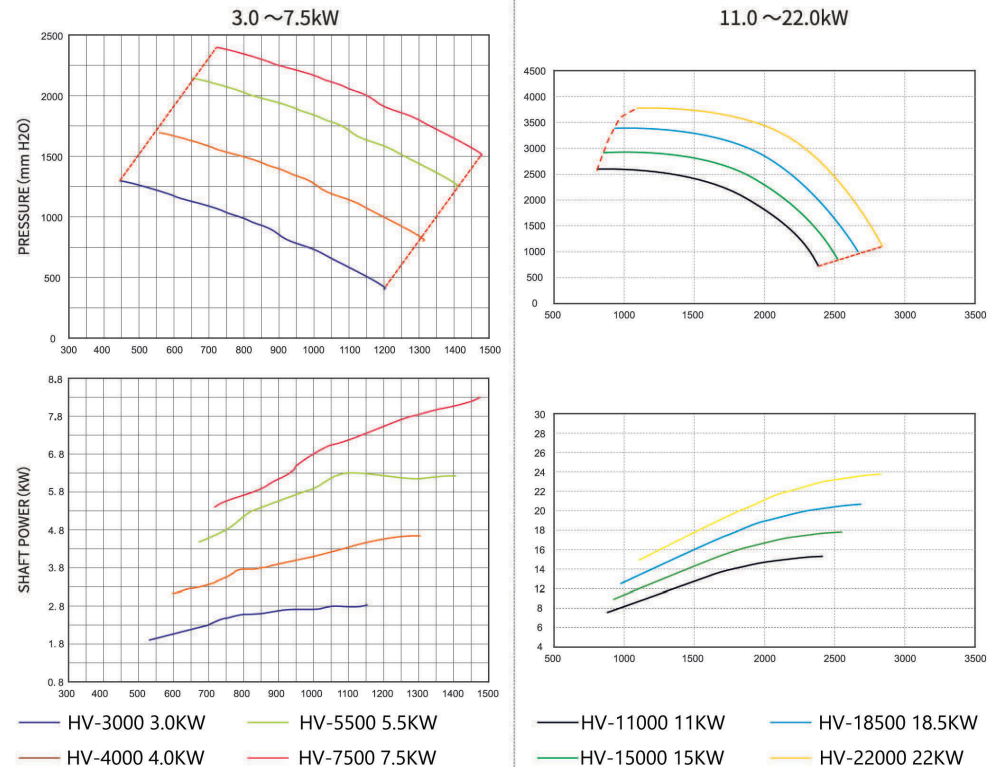
INSTALLATION SIZE



Benefits therefore over 1st generation belt and direct drive blowers include;

- 30% minimum energy costs savings
- Direct drive from high speed inverter gives a longer service life
- More compact and less weight
- 3 YEAR WARRANTY

PERFORMANCE PARAMETER



TECHNICAL SPECIFICATION

Technical Standard	
Power	3.0KW~22KW
Air Flow	450-2800m ³ /h
Pressure	380mbar (38.0KPa)
Vacuum	350mbar (35.0KPa)
Weight	42-56Kg
Ambient Temperature	-12°C-40°C
Air Temperature Range	<150°C
Design Patterns	Single Blower Hand