

# — FLC SERIES



## — Flash Lamp Connection High Current Connectors

### — Features:

- High Current Ratings
- Operating Voltage: through 12 KVDC
- Temperature Range:  $-40^{\circ}\text{C}$  to  $+175^{\circ}\text{C}$
- Sea Level to 10,000 ft. Operation
- Overmolded Strain Relief available
- 4mm, 5mm, 5.5mm and 6mm options
- Stackable or Threaded options

### Applications:

- Lasers
- Back Lighting & Illumination
- Percussion Ignitable Flash Lamps

**Connectronics** Corp.   
*Interconnection Specialists*  
a **HEICO** company

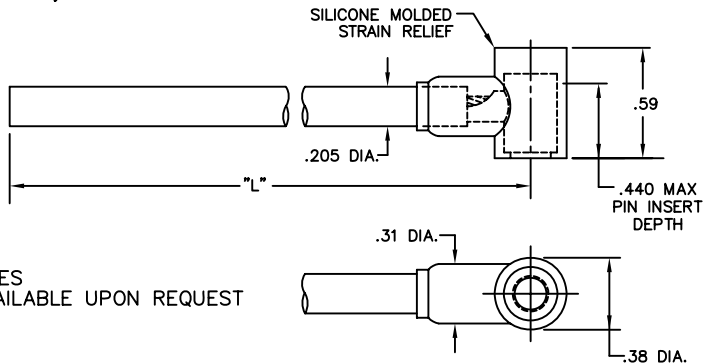


— Corporate Office  
& Manufacturing Facilities:  
2745 Avondale • P.O. Box 3355  
Toledo, Ohio 43607

Phone: 419-537-0020  
Fax: 419-537-0007  
E-mail: [info@connectronicscorp.com](mailto:info@connectronicscorp.com)  
Visit Us On Our Web Site @  
[www.connectronicscorp.com](http://www.connectronicscorp.com)

**4mm FLASH LAMP MOLDED PLUG, SINGLE ENDED**

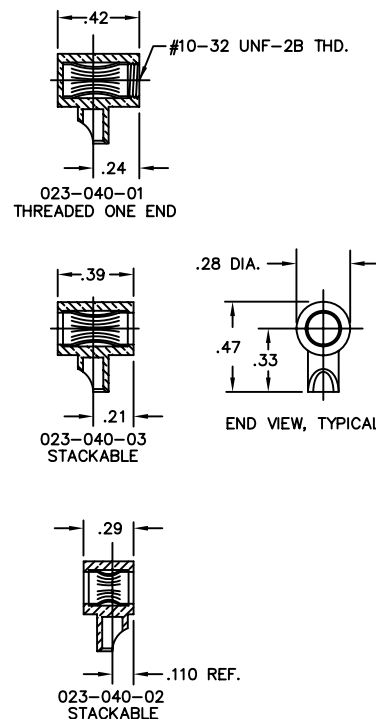
PART NO.	"L"
10455-01	12.00
10455-02	16.50
10455-03	17.50
10455-04	24.00
10455-05	32.00
10455-06	40.00
10455-07	3.00



LENGTHS SHOWN IN INCHES  
ADDITIONAL LENGTHS AVAILABLE UPON REQUEST

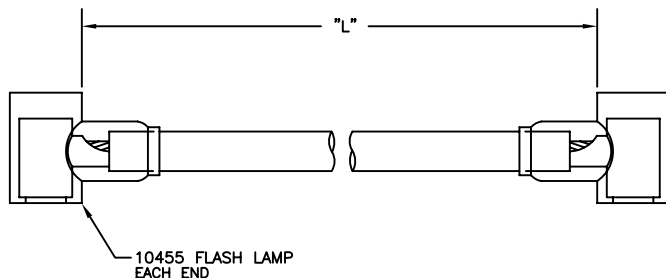
**4mm SOCKET CONTACT, RIGHT ANGLE**

PART NO. 023-040-[ ]



**4mm FLASH LAMP MOLDED PLUG, DOUBLE ENDED**

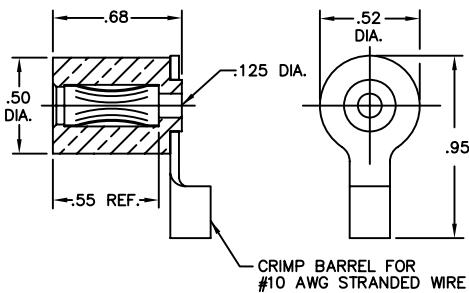
PART NO.	"L"
10444-01	36.00
10444-02	2.25
10444-03	48.00
10444-04	70.00
10444-05	9.00
10444-06	78.00
10444-07	13.00
10444-08	12.00
10444-09	140.00



LENGTHS SHOWN IN INCHES  
ADDITIONAL LENGTHS AVAILABLE UPON REQUEST

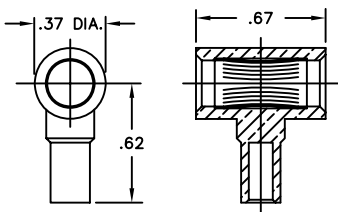
**5mm SOCKET CONTACT, RIGHT ANGLE**

PART NO. 023-060-01



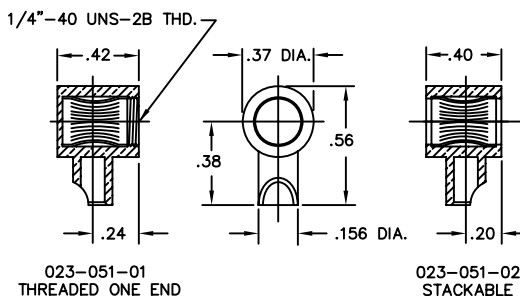
**5.5mm SOCKET CONTACT, RIGHT ANGLE STACKABLE**

PART NO. 023-059-01



**6mm SOCKET CONTACT, RIGHT ANGLE**

PART NO. 023-051-[ ]



**DESCRIPTION:**

CONNECTRONICS' FLASH LAMP CONNECTION SERIES OFFERS A LOW COST HIGH CURRENT INTERCONNECTION SOLUTION TO APPLICATIONS WHERE SPACE, WEIGHT AND TEMPERATURE ARE A CONCERN. THE USE OF THE "MULTILAM BAND" CONTACT SPRING FINGER TECHNOLOGY PROVIDES FOR HIGHER CURRENT RATINGS WITH LOWER TEMPERATURE RISE THAN CONVENTIONAL CONTACT DESIGNS. CONTACTS ARE AVAILABLE WITH SILICONE RUBBER OVER MOLDINGS ATTACHED TO HIGH VOLTAGE WIRE, PROVIDING A HIGHER VOLTAGE BARRIER.

**TECHNICAL DATA:**

**ELECTRICAL:**

VOLTAGE : 12 KVDC\*  
\*WITH CONNECTOR PROPERLY ISOLATED FROM GROUND PLANE

**ENVIRONMENTAL:**

ALTITUDE : SEA LEVEL TO 10,000 FT.  
TEMPERATURE : -40°C TO +175°C

**MATERIALS AND FINISHES:**

MOLDED STRAIN RELIEF: SILICONE RUBBER, GREY.  
CONTACT BODY: TELLURIUM COPPER ALLOY 145, SILVER PLATED PER QQ-S-365.  
MULTI-LAM CONTACT BAND (SPRING FINGERS): BERYLLIUM COPPER ALLOY, GOLD PLATED PER MIL-G-45204.  
WIRE: ASSEMBLIES SUPPLIED WITH WIRE ARE TERMINATED WITH #12 AWG (19/25) SPC CONDUCTOR WITH SILICONE INSULATION RATED FOR 20 KVDC (.205 DIA.) REF. CONNECTRONICS PART NO. 066-035-01.  
STANDARD CONTACTS ARE DESIGNED TO ACCEPT #12 AWG STRANDED WIRE, UNLESS OTHERWISE NOTED.

**MAXIMUM CURRENT :**

4.0 mm (.157) 75 AMPS  
(023-040-02) 65 AMPS  
5.0 mm (.197) 90 AMPS  
5.5 mm (.217) 95 AMPS  
6.0 mm (.236) 100 AMPS

**ORDERING INFORMATION**

FLASH LAMP PLUGS CAN BE ORDERED AS A SINGLE ENDED OR DOUBLE ENDED ASSEMBLIES IN ANY COMBINATION OF MOLDED PLUG OR SOCKET CONTACT AT EACH END. CONSULT FACTORY FOR CUSTOM CONFIGURATION PART NUMBERS.

FLASH LAMP CONTACTS CAN BE ORDERED WITH OR WITHOUT WIRE TERMINATED.  
CONNECTRONICS OFFERS A VARIETY OF WIRE CONSTRUCTIONS FOR USE WITH FLASH LAMP CONTACTS.  
CONSULT FACTORY FOR ADDITIONAL INFORMATION.

