



## INTRODUCTION

Thank you for purchasing a Macnaught Dual Action Air Operated Grease Gun

The patented Macnaught dual action grease gun is both a single shot and continuous flow grease gun, suitable for bulk, cartridge or grease pump filling with greases up to and including NLGI No.2 consistency.

Please read and retain this instruction sheet to assist you in assembly and maintenance of this product.

## SAFETY INFORMATION





### CAUTION

- \* Always disconnect the air supply before servicing.
- \* Caution must be observed when either unscrewing the barrel or unscrewing the pull handle from the follower rod as the large follower spring inside the barrel is energised
- \* Macnaught recommends the use of PPE equipment such as safety glasses, protective gloves, safety shoes etc before handling or using this product.
- \* Continual use of this product can potentially cause RSI injury (especially hand or arm injury)
- \* Do not modify or alter this product any way
- \* Never allow any part of the human body come in direct contact with the fluid outlet
- \* Never point the material outlet of the product at yourself or anyone else.
- \* Only physically fit people should be authorised to use this Product
- \* Ensure that any fluid spillage is cleaned up immediately to prevent slipping or injury.
- \* Only use genuine Macnaught replacement parts when repairing this product

## SELECT FOLLOWER POSITION

**Note:**  
Refer to Fig 1 for the correct follower position.

### How to select Follower position

Grease	Follower Position
Bulk	 Push
Cart-ridge	 Push

(Fig 1)



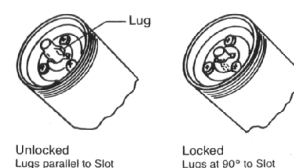
## HOW TO BULK FILL BY SUCTION

Note: Select the correct follower position (see Fig 1).

- 1) Lock follower (Fig 2).
- 2) Unscrew the barrel from the gun body 2 to 3 turns.
- 3) Pull the rod back and retain in barrel slot (Fig.3)
- 4) Unscrew the barrel from the gun body.
- 5) Release the follower rod from the barrel slot.
- 6) Insert the open end of the barrel into the grease, pull the rod back slowly, and at the same time push the barrel into the grease. Pull back the rod until the groove in the rod appears then push the rod into the barrel slot.
- 7) Wipe clean and screw the gun body assembly onto the barrel.
- 8) Unlock the follower rod from the barrel and apply light pressure on the pull handle (Fig.5), at the same time press the ball in the filler bleeder until grease appears.
- 9) Connect the air and pull the trigger several times. If grease does not appear at the coupler repeat step 8.
- 10) Unlock the follower rod and push the rod into the barrel.

**Note:** Should the gun fail to deliver grease refer to the Trouble Shooting Guide on page 3.

How to lock Follower



(Fig 2)



(Fig 3)

## BULK FILL WITH A MACNAUGHT J3 GREASE PUMP

**Note:** Select the correct follower position ( Fig 1).

- 1) Lock the follower rod (Fig 2).
- 2) Slide the filler bleeder valve into the nozzle on the pump
- 3) Fill with grease until the groove in the rod is visible at the end of the barrel.
- 4) Repeat steps (8), (9), (10) refer (How to bulk Fill).

## HOW TO INSTAL A CARTRIDGE

**Note:** Select the correct follower position (Fig 1).

Repeat steps (1) to (2) above

- 1) Pull the follower rod back until the rod groove can be pulled into the barrel slot.
- 2) Remove the large end cap from the cartridge.
- 3) Slide the large open end first into the barrel.
- 4) Remove the small end cap from the cartridge.
- 5) Screw the gun body assembly onto the barrel.
- 6) Repeat steps (8), (9), (10) as above.

## INSTALLATION

- \* Use P.T.F.E. tape while connecting the thread joints
- \* Fill the grease gun with grease and remove the trapped air by unscrewing the filler bleeder valve (5)
- \* Connect the air hose to the inlet valve (4) and start the air supply

## OPERATING INSTRUCTIONS

### SINGLE SHOT

For single shot operation, press button (7) to move the slider (6) forward as shown in fig 4



Press button for single shot operation

(Fig 4)

### CONTINUOUS FLOW

For continuous mode operation, slide the slider (6) back as shown in fig 5

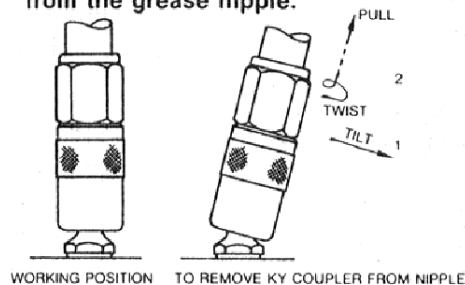


Slide backwards for continuous mode

(Fig 5)

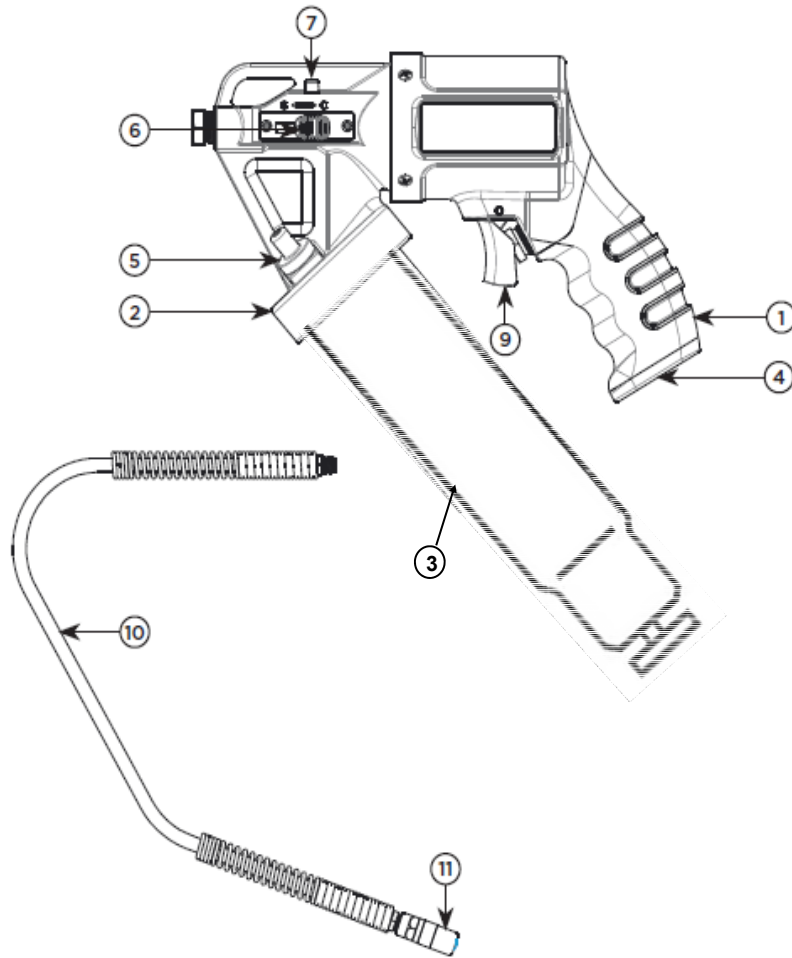
### COUPLER REMOVAL

How to remove the KY coupler from the grease nipple.



(Fig 6)

PARTS DIAGRAM



PARTS LIST

Ref No	Part Description	Qty
1	Body	1
2	Grease gun head	1
3	Grease gun barrel	1
4	Inlet valve	1
5	Filler / bleeder valve	1
6	Slider	1
7	Button	1
8	Plunger handle	1
9	Trigger	1
10	Flexible extension	1
11	Grease coupler	1

AVAILABLE SPARE PARTS

- Gun head service kit
- Barrel assembly (400g)
- Barrel assembly (450g)
- Follower assembly (400g)
- Follower assembly (450g)
- Flexible extension (BSP)
- Flexible extension (NPT) (-02 model)
- Coupler (BSP)
- Coupler (NPT) (-02 model)

## TROUBLE SHOOTING GUIDE

PROBLEM	CAUSE	SOLUTION
Grease gun pumps little or no grease	Barrel not tight	Tighten barrel
	Air pockets in grease	Bleed air from gun
	Blocked flexible extension or coupler	Clean or replace extension or coupler
	Grease is too thick or too cold	Use thinner grease or warm grease
Excessive grease leaking past follower	Follower is damaged	Replace follower
	Damaged head/barrel seal	Replace seal
Gun cycles very slowly	Inadequate lubrication in the air cylinder chamber	Put a few drops of light oil through the air inlet valve
If gun does not operate		Contact closest authorised service centre

## SPECIFICATIONS

Output Pressure up to	6,000 PSI (413 bar)
Pressure Ratio	45:1 ratio
Flow Rate	
Single shot	up to 0.90 gm/shot (1.3 oz /40 strokes)
Continuous Flow	up to 400 gm/min (14 oz/min)
Air pressure	40-120 PSI (3-9 BAR)
Optimum Air Pressure	90 PSI (6.2 BAR)
Air Inlet	1/4 "(F)
Air Consumption	1 cfm / 0.026 cbm

NOTES:



**NOTES:**





**Macnaught Pty Limited**  
ABN 66 000 075 785

41-49 Henderson Street  
Turrella NSW 2205 Sydney Australia  
Postal Address PO Box 90  
Amcliffe NSW 2205 Sydney Australia

**T:** +61 2 9567 0401  
**F:** +61 2 9597 7773  
**W:** [www.macnaught.com.au](http://www.macnaught.com.au)

**Note:**  
This product should be disposed of according to all applicable local and national government environment regulations and guidelines.



**For Warranty Terms and Conditions see [macnaught.com.au](http://macnaught.com.au)**  
**For a list of Australian Service Centres see [macnaught.com.au](http://macnaught.com.au)**