

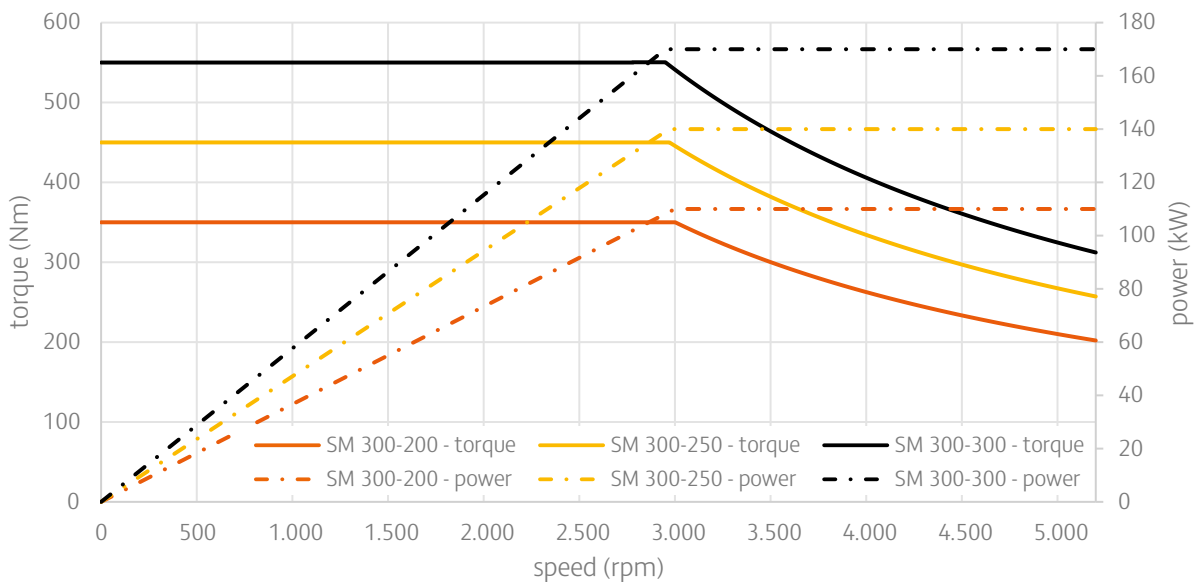
Synchronous Motor **SM-300**

// Values for continous Mode (S1)

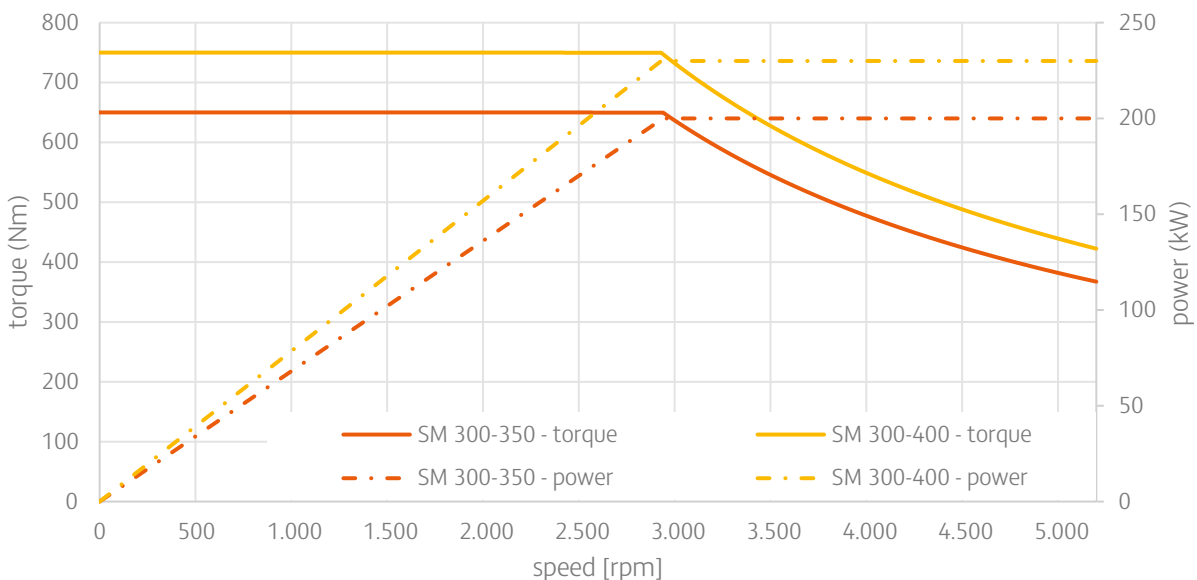
Size	nominal Torque (Nm)	nominal Power (kW)	nominal Speed (rpm)	max. Speed (rpm)	nom. Current* (Aeff)
-200	350	110	3.000	5.200	170
-250	450	140	2.970	5.200	206
-300	550	170	2.950	5.200	252
-350	650	200	2.940	5.200	285
-400	750	230	2.930	5.200	325

*@500Veff

// SM 300 - 200, 250, 300

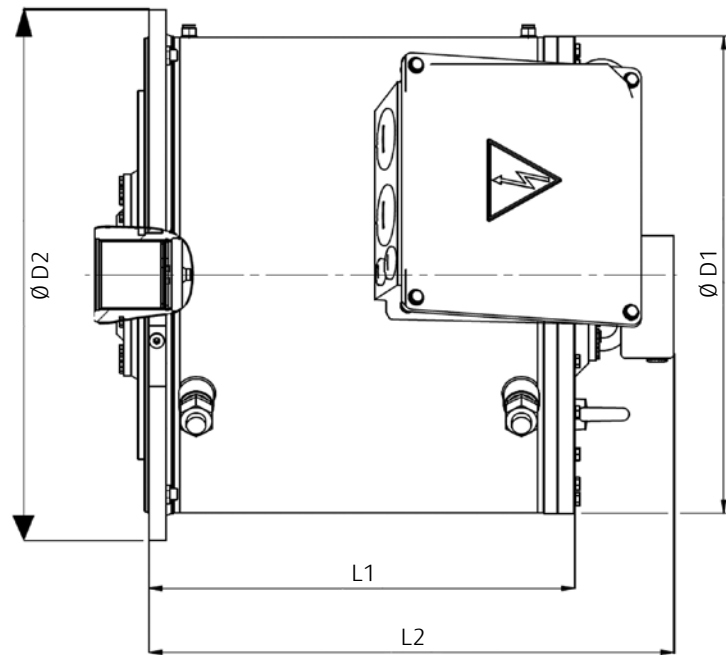


// SM 300 - 350, 400



Synchronous Motor **SM-300**

Motor-Diameter D1	338 mm
Flange-Diameter D2	380 mm
Motor-Length L1	- size + 150 mm
Motor-Length L2	- size + 252 mm
Active-Length	- size
Stator-Lamination Ø	300 mm
EN material no	EN standard, none



Technical data

- synchronous reluctance assisted permanent magnet motor
- designed for inverter operation
- ambient temperatures -20 °C - +50 °C
- vibration quantity: A
- shock < 15 g, vibration < 5 g
- IP65
- insulation class F* 175 °C
- water cooled
- short time torque up to 200 % of nominal torque
- customized winding design for optimized power/torque performance

Optional equipment

- feedback System: Encoder or Resolver
- holding brake
- hollow shaft
- shaft grounding
- insulated bearings
- standstill heating
- customized mechanical and electrical interface

All information is given to the best of our knowledge. This does not constitute a guarantee of properties. Our liability shall be determined in accordance with the individual contractual provisions or our general terms and conditions.



ZOLLERN GmbH & Co. KG

Heustrasse 1
88518 Herbertingen
Germany
T +49 7586 959 482
F +49 7586 959 82482
ztd@zollern.com
www.zollern.com