

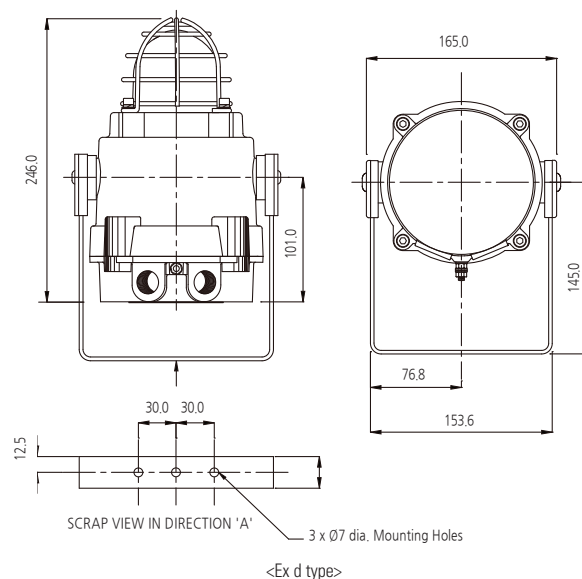
BExBG Series Explosion Proof Type Xenon

- | Automatic synchronisation on multi-beacon system.
- | Beacons can be set to 'flip-flop' alternating mode with other units on multi-beacon systems.
- | Xenon tubes mechanically secured against shock & vibration
- | Glass lens & Stainless Steel guard
- | Very large termination area.
- | Ratchet adjustable stainless steel 'U' bracket.
- | IN & OUT terminals (Ex de version only)

IMAGE



DIMENSION (Unit : mm)



SPECIFICATION

*All candela data is representative of performance with clear lens at optimum voltage.

	BExBG05	BExBG10	BExBG15
Energy	5 Joules (5Ws)	10 Joules (10Ws)	15 Joules (15Ws)
Flash rate	1Hz (60 fpm)		
Peak candela	500,000 cd - calculated from energy (J)	1,000,000 cd - calculated from energy (J)	1,500,000 cd - calculated from energy (J)
Effective intensity cd	250 cd - calculated from energy (J)	500 cd - calculated from energy (J)	750 cd - calculated from energy (J)
Peak candela	34,812 cd* - measured ref. to I.E.S.	79,531 cd* - measured ref. to I.E.S.	94,748 cd* - measured ref. to I.E.S.
Effective intensity cd	105 cd* - measured ref. to I.E.S.	346 cd* - measured ref. to I.E.S.	444 cd* - measured ref. to I.E.S.
Lens colours	Amber, Blue, Clear, Green, Red & Yellow		
Voltages DC	12VDC; 24VDC; 48VDC		
Voltages AC	115VAC; 230VAC		
Ingress protection	BG05D : IP66/67, BG05E : IP66	BG10D : IP66/67, BG10E : IP66	BG15D : IP66/67, BG15E : IP66
Housing material	Marine grade copper free LM6 Aluminium		
Housing finish	Phosphated & powder coated finish : anti-corrosion		
Colour	RAL3000 Red (others available on request)		
Cable entries	Dual M20 ISO (one stopping plug inc)		
Terminals	0.5 to 4.0mm ² cables.		
Line monitoring	Min. 500 Ohm 2w, or 3k3 Ohm	0.5w res. or diode within	Exd enclosure (dc versions)
Tube life	Emissions are reduced to 70% after 8 million flashes		
Weight	DC: 2.45kg / AC: 2.75kg		
Approval	ATEX / IECEx II 2G Ex d IIC T4 Ta. -50°C to +70°C II 2G Ex d IIC T5 Ta. -50°C to +55°C II 2G Ex d IIC T6 Ta. -50°C to +40°C II 2D Ex tD A21 IP67 T115°C based on max. Ta. 70°C	ATEX / IECEx II 2G Ex d IIC T4 Ta. -50°C to +70°C II 2G Ex d IIC T5 Ta. -50°C to +40°C II 2D Ex tD A21 IP67 T125°C based on max. Ta. 70°C	ATEX / IECEx II 2G Ex d IIC T4 Ta. -50°C to +70°C II 2G Ex d IIC T5 Ta. -50°C to +40°C II 2D Ex tD A21 IP67 T125°C based on max. Ta. 70°C
	GOST-R 1ExdIICT4 Ta. -50°C to +55°C(BExBG05D**) 2ExdIICT4 Ta. -50°C to +55°C(BExBG05E**) DIP A21 Ta T4	GOST-R 1ExdIICT4 Ta. -50°C to +55°C(BExBG10D**) 2ExdIICT4 Ta. -50°C to +55°C(BExBG10E**) DIP A21 Ta T4	GOST-R 1ExdIICT4 Ta. -50°C to +55°C(BExBG15D**) 2ExdIICT4 Ta. -50°C to +55°C(BExBG15E**) DIP A21 Ta T4