

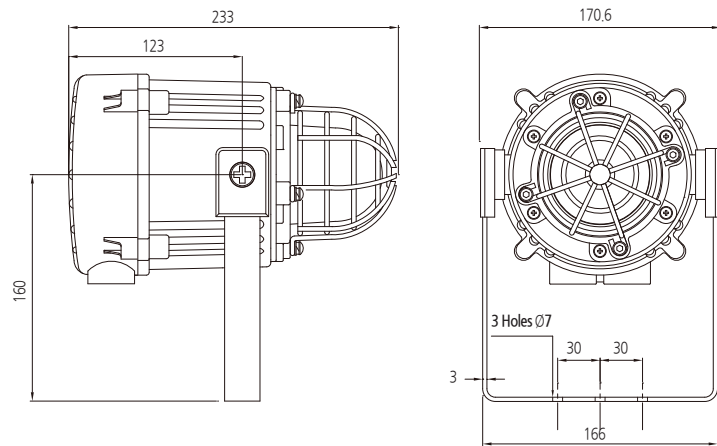
## MB005 Non-Explosion Proof Type Xenon Strobe Beacon

- | Automatic synchronised flash, or Flip-Flop alternating mode. | Xenon tube mechanically secured against vibration. | Continuously rated. | Large termination area. |
- | Stainless steel fixings. | Ratchet adjustable stainless steel 'U' bracket for 360°positioning. | Duplicate cable terminations (in & out for daisy-chain installations). |
- | Tropicalised as standard. |

### IMAGE



### DIMENSION (Unit : mm)



### SPECIFICATION

※ Candela measurements representative of performance with clear lens at optimum voltage.

MB005	
Energy	15 J/Jouless (51W5Ws/s)
Flash rate	1Hz (60 fpm)
Peak candela	500,000 cd - calculated from energy (J)
Effective intensity cd	250 cd - calculated from energy (J)
Peak candela	16,428 cd* - measured ref. to I.E.S.
Effective intensity cd	51 cd* - measured ref. to I.E.S.
Lens colours	Amber, Blue, Clear, Green, Red & Yellow
Voltages DC	12VDC; 24VDC; 48VDC
Voltages AC	115VAC; 230VAC
Ingress protection	IP66 & IP67 (Third party tested)
Housing material	High impact UL94 V0 & 5VA FR ABS
Colour	Grey (RAL7038)
Cable entries	2 x M20 supplied with 1 blanking plug
Lens material	Borosilicate glass dome with PC prismatic lens cover.
Guard	Stainless Steel dome guard as standard
Terminals	0.5 to 4.0mm <sup>2</sup> cables.
Operating temp	-25°C to +55°C
Storage temp	-40°C to +70°C
Relative humidity	90% at 20°C
Weight	1.48kg