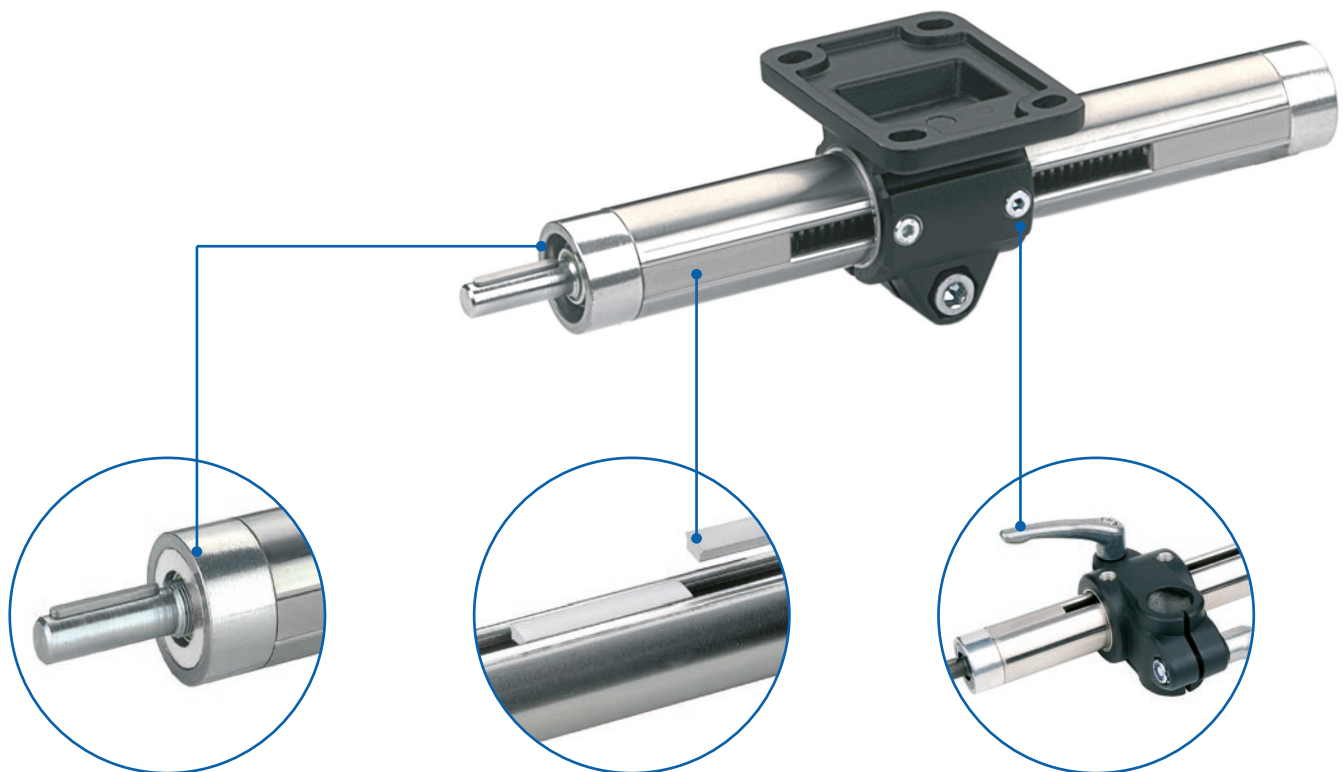


Single tube actuator – E linear unit

Flexible all-rounder –
with an unrivalled price-performance ratio



Bearing cover

- ✓ Dust/spray protection on Type 30-60
- ✓ Option of screw with slide bearing (resistant to fine dust/abrasions)

Covers

- ✓ Slot cover, as dust protection or stroke limitation

Carriages/fixing elements

- ✓ Wide range of models facilitates connection to your designs
- ✓ Option of carriage with slide bushing (lower input torque, wear minimized)



Features:

- Units for light to heavy moving applications
- Manual and motor-driven adjustments supported
- Different sizes can be combined
- Comprehensive range of accessories

Options:

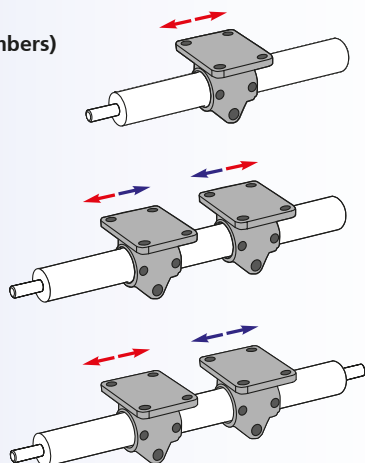
- Corrosion-protected variant E-II-stainless steel (see page: 78)
- Second free-running carriage

E linear unit – Table of contents
Properties/Technical data

- General information/operating conditions 46
- Load data..... 47
- No-load torques 46

Versions

(Dimensions, order numbers)



- Right or lefthand thread 48 - 49
- Right *and* lefthand thread 50 - 51
- *Split screw* 52 - 53

Accessories
Fixing

- Carriage 54 - 59
- Fixing elements 60 - 63
- Covers for E-II 64
- Clamping lever 65

Drive

- Handwheel 66
- Chain wheel..... 67
- Timing-belt pulley 67
- Angular drive 68
- Flange bearing unit 71
- Transmission unit..... 71
- Motor adaptor/coupling..... 72

Position determination

- Scale/positioning indicator 74 - 75
- Limit switches 76

E linear units – Technical data

General information/operating conditions

Design	Actuator with ACME screw in a slotted tube
Guide	Slide guide, optional carriage with slide guide available
Guide tube	Stainless steel for sizes 30 - 60, galvanized for sizes 18 and 80
Installation position	Any position
Positioning accuracy	± 0.2 mm/300 mm stroke
Self-locking	Yes*
Ambient temperature	0°C to + 60°C

* see Glossary under item Self-locking

Screw lead

Type	Screw lead [mm]	Speed with slide bearing 80 rpm [mm/s]	Speed with ball bearing 250 rpm [mm/s]
E 18	2	2,7	8,3
E-II 30	3	4	12,5
E-II 40	4	5,3	16,7
E-II 50	4	5,3	16,7
E-II 60	5	6,7	20,8
E 80	6	8	25

Required screw speed* n [rpm] = $\frac{\text{speed [m/min]} \times 1000}{\text{screw lead [mm]}}$

Max. screw speed with slide bearing 80 rpm
 with ball bearing 250 rpm

No-load torque

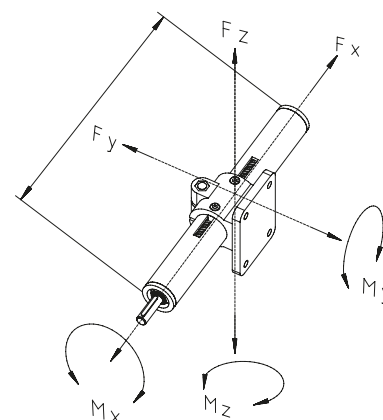
[Nm]

Type	Screw with slide bearing	Screw with ball bearing
E 18	–	0.20
E-II 30	0.45	0.35
E-II 40	0.65	0.50
E-II 50	1.20	0.90
E-II 60	–	1.10
E 80	–	0.90



Load data*

- F Force [N]
- M Moment [Nm]
- I Geometric moment of inertia [cm⁴]



* with reference to carriage (deflection of guide element $f = 0.5$ mm, static, end elements supported)

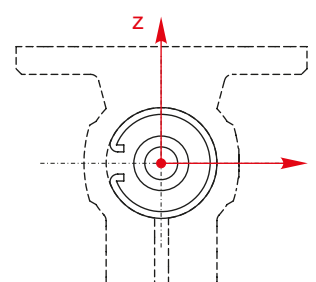
	F _x	F _y *			F _z *			M _x	M _y	M _z
Total length [mm]		500	1000	1500	500	1000	1500			
Type										
E 18	400	90	10	–	60	8	–	1.5	4	4
E-II 30	800	500	60	10	500	50	9	6	15	15
E-II 40	1000	2100	250	60	1900	140	50	14	40	40
E-II 50	1700	3000	600	140	3000	600	140	30	65	65
E-II 60	2500	4500	1500	380	4500	1300	320	45	120	120
E 80	4500	5500	2300	550	5650	2500	650	70	170	170

Note:
Linear units that support higher torques available on request!

Geometric moment of inertia

Type	I_y	I_z
E 18	0.22	0.27
E-II 30	1.34	1.56
E-II 40	4.58	5.24
E-II 50	11.31	12.32
E-II 60	23.11	24.98
E 80	98.72	118.53

[cm⁴]

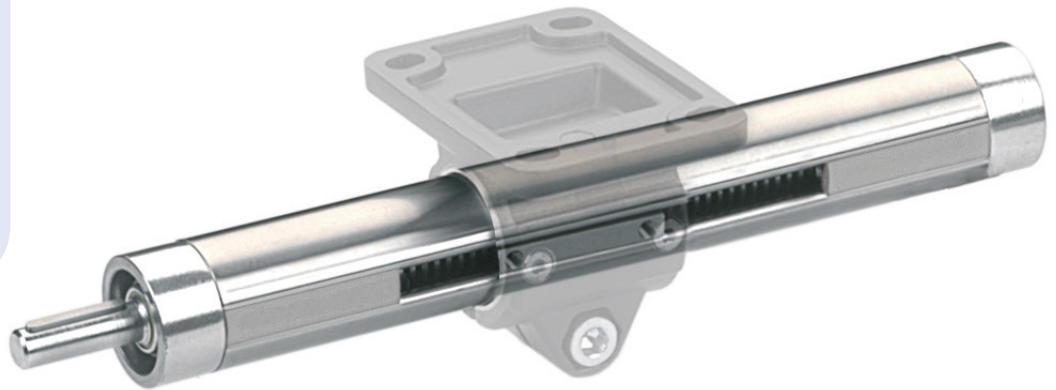


E linear units – Versions

Version ■ Right or lefthand thread

Order instructions:

- Choice of carriage - this must be ordered separately
- Different "R" dimensions available on request
- Corrosion-protected units available on request
- Other screw leads available on request



Type 30-60



Code No.	Type	Screw	Basic length	B	D 1	D 2	J
70_181 1	18	Tr 10x2	134	18	6	–	24
70_183 1	18					6	
78_301 _	30	Tr 14x3	198	30	8	–	38
78_303 _	30					8	
78_401 _	40	Tr 20x4	209	40	12	–	55
78_403 _	40					12	
78_501 _	50	Tr 20x4	230	50	12	–	60
78_503 _	50					12	
78_601 1	60	Tr 24x5	275	60	14	–	75
78_603 1	60					14	
70_811 1	80	Tr 32x6	300	80	20	–	100
70_813 1	80					20	

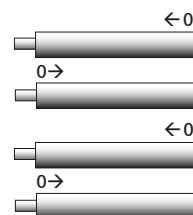
----- Total length = basic length + travel [mm]

Screw bearing:

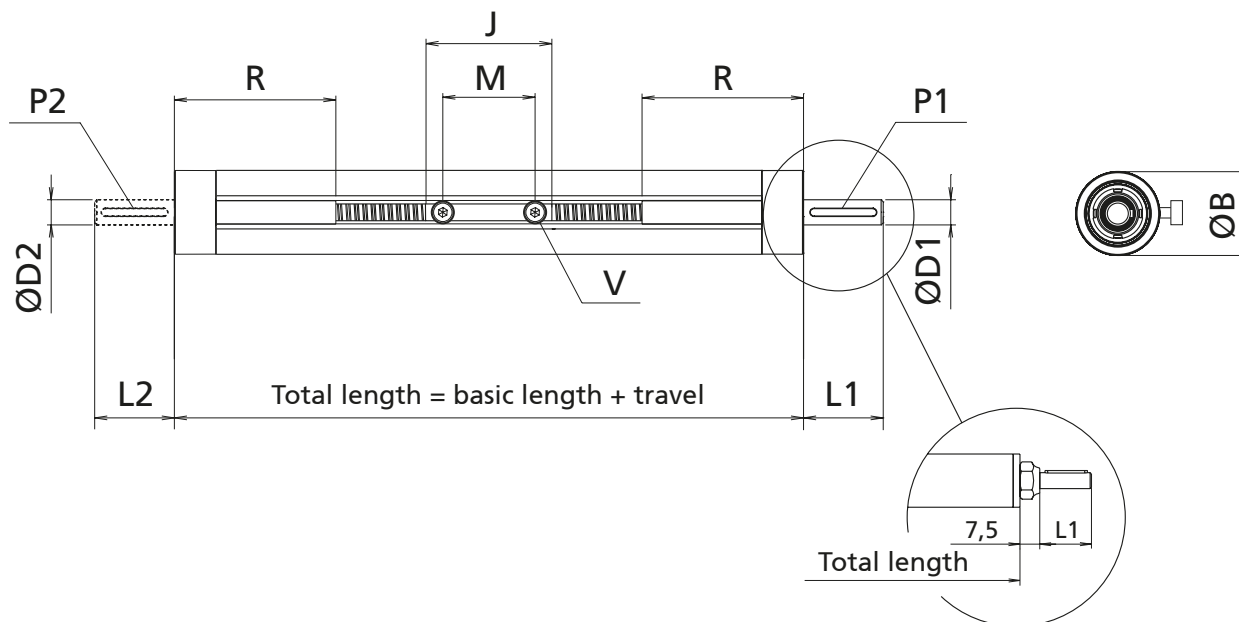
- 0 = screw with slide bearing
- 1 = screw with ball bearing

Version:

- 1 = righthand thread
- 2 = lefthand thread
- A = righthand thread with scale at 270° *
- B = righthand thread with scale at 270° *
- C = lefthand thread with scale at 270° *
- D = lefthand thread with scale at 270° *



*Scale only for Type 30-60. Details see page 74



Only for E18

[mm]

L 1	L 2	M	P 1	P 2	R	V	Max. travel	Mass [kg]	
								Basic length	per 100 mm travel
17	–	18	2 x 2 x 12	–	55*	M3 x 5	1033	0.225	0.097
	17			2 x 2 x 12			1016	0.229	0.097
26	–	28	2 x 2 x 20	–	80	M4 x 8	1376	0.610	0.212
	26			2 x 2 x 20			1350	0.620	0.212
38	–	44	4 x 4 x 32	–	77	M6 x 10	2831	1.305	0.432
	38			4 x 4 x 32			2831	1.336	0.432
38	–	44	4 x 4 x 32	–	85	M6 x 10	2820	1.955	0.539
	38			4 x 4 x 32			2820	1.990	0.539
38	–	50	5 x 5 x 32	–	100	M8 x 12	2777	3.211	0.764
	38			5 x 5 x 32			2777	3.257	0.764
31.5	–	70	6 x 6 x 22	–	100	M8 x 25	2416	10.00	1.940
	31.5			6 x 6 x 22			2416	10.10	1.940

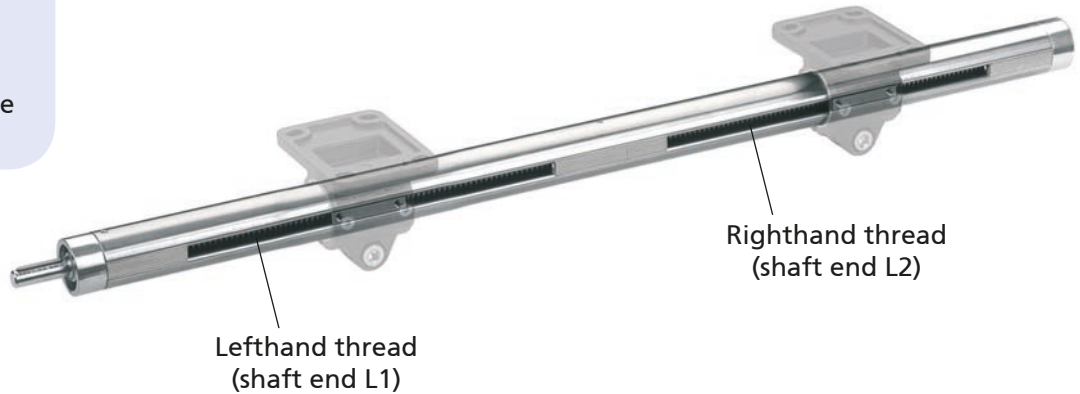
* For total lengths < 300 mm, dimension R = 25 mm

E linear units – Versions

Version ■ Right and lefthand thread

Order instructions:

- Choice of carriage - this must be ordered separately
- Please specify total travel when placing an order
- Different "R" dimensions available on request
- Corrosion-protected units available on request
- Other screw leads available on request



Type 30-60



Code No.	Type	Screw	Basic length	B	D1	D2	J
70318_1	18	TR 10x2	195	18	6	6	24
78_30_ _	30	TR 14x3	261	30	8	8	38
78_40_ _	40	TR 20x4	287	40	12	12	55
78_50_ _	50	TR 20x4	319	50	12	12	60
78_60_ 1	60	TR 24x5	379	60	14	14	75
70381_ 1	80	TR 32x6	465	80	20	20	100

----- Total length = basic length + total travel [mm]

Screw bearing:

- 0 = screw with slide bearing
- 1 = screw with ball bearing

Version:

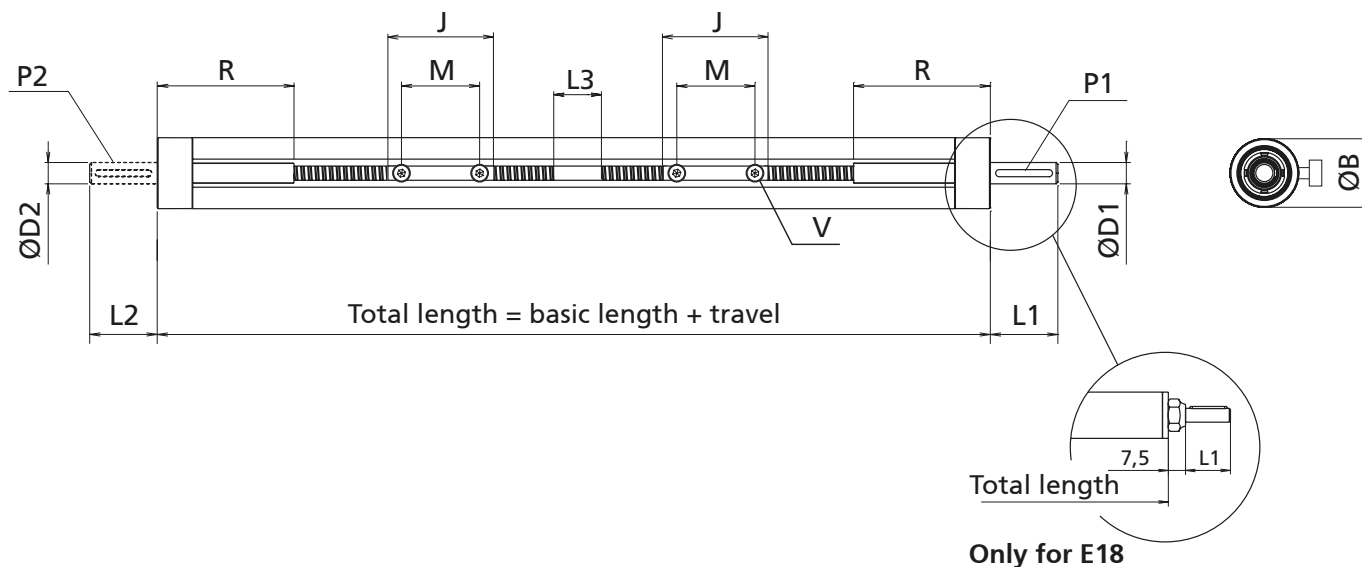
- 1 = 1 drive shaft at lefthand thread end
- 2 = 1 drive shaft at righthand thread end
- 3 = 2 drive shafts

Version:

- 3 = Right and lefthand thread (RH/LH)
- N = RH/LH with scale at 270° *



*Scale only for Type 30-60. Details see page 74



[mm]

L 1	L 2	L 3	M	P 1	P 2	R	V	Max. travel	Mass [kg]	
									Basic length	per 100 mm travel
17	17	37**	18	2 x 2 x 12	2 x 2 x 12	55*	M3 x 5	1309	0.330	0.097
26	26	25	28	2 x 2 x 20	2 x 2 x 20	80	M4 x 8	1739	0.798	0.212
38	38	23	44	4 x 4 x 32	4 x 4 x 32	77	M6 x 10	2713	1.742	0.432
38	38	29	44	4 x 4 x 32	4 x 4 x 32	85	M6 x 10	2681	2.725	0.539
38	38	29	50	5 x 5 x 32	5 x 5 x 32	100	M8 x 12	2621	4.306	0.764
31.5	31.5	65**	70	6 x 6 x 22	6 x 6 x 22	100	M8 x 25	2251	13.290	1.940

* For total lengths < 300 mm, dimension R = 25 mm

** From a total length of 1000 mm

E linear units – Versions

Version ■ *Split screw*

Order instructions:

- Choice of carriage - this must be ordered separately
- Please specify total travel when placing an order
- Different "R" dimensions available on request
- Corrosion-protected units available on request
- Other screw leads available on request



Type 30-60



Code No.	Type	Screw	Basic length	B	D1	D2	J
78_3031	30	TR 14x3	280	30	8	8	38
78_4031	40	TR 20x4	308	40	12	12	55
78_5031	50	TR 20x4	334	50	12	12	60
78_6031	60	TR 24x5	394	60	14	14	75
7048131	80	TR 32x6	450	80	20	20	100

----- Total length = basic length + total travel [mm]

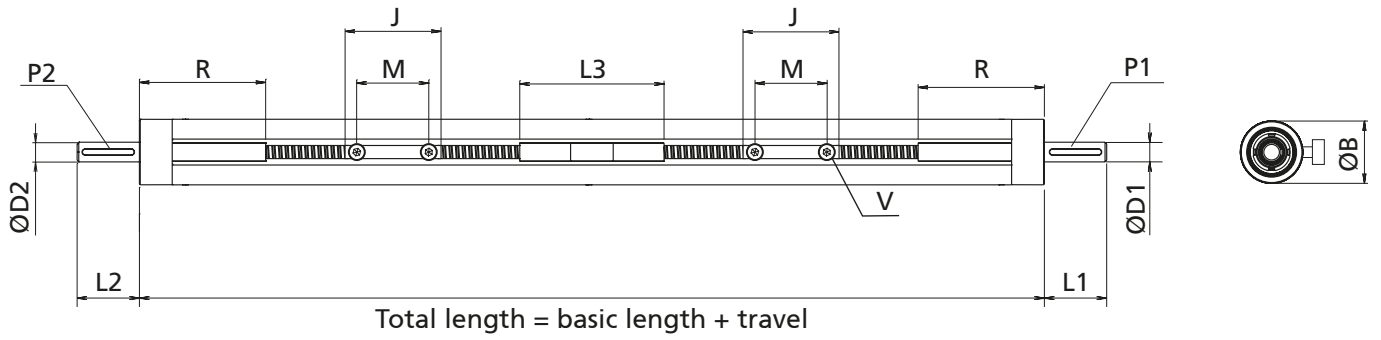
Version:

4 = Split screw

U = Split screw with scale at 270° *



*Scale only for Type 30-60. Details see page 74



[mm]

L 1	L 2	L 3	M	P 1	P 2	R	V	Max. travel/end	Mass [kg]	
									Basic length	per 100 mm travel
26	26	44	28	2 x 2 x 20	2 x 2 x 20	80*	M4 x 8	1377	0.673	0.212
38	38	44	44	4 x 4 x 32	4 x 4 x 32	77	M6 x 10	1366	2.317	0.432
38	38	44	44	4 x 4 x 32	4 x 4 x 32	85	M6 x 10	1358	3.169	0.539
38	38	44	50	5 x 5 x 32	5 x 5 x 32	100	M8 x 12	1329	3.571	0.764
31.5	31.5	50	70	6 x 6 x 22	6 x 6 x 22	100	M8 x 25	1133	15.970	1.940

* For total lengths < 300 mm, dimension R = 53 mm

E linear units – Fixing

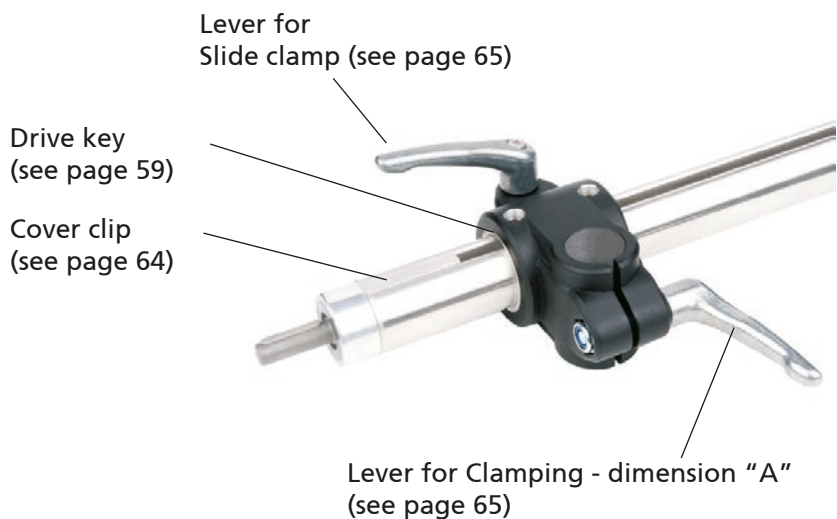
Order instructions:

- Coloured powder-coating available on request.
- A rotation locking device (drive key) is included in the scope of delivery of the linear unit. Additional drive keys (e.g. for free-running carriages) can also be ordered as an optional extra
- Clamping levers have to be ordered separately. Delivery unassembled. See table last column and page 65
- For further dimensions, please refer to the catalogue "Connecting Technology"

Carriages

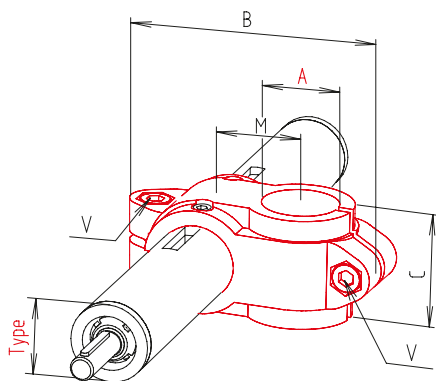
- A range of different versions facilitate mounting

Scope of delivery:
Carriages with screws, loosely enclosed



K*

[mm]

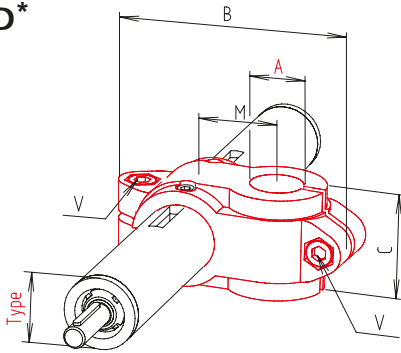


Code No.	Type	A	B	C	M	Clamping levers V Code No. VA
11801_00	18	18	66	25.5	20	90209
13093_0_	30	20	99	40	33	9022201
12501_0_	30	25	99	40	33	9022201
13001_0_	30	30	99	40	33	9022201
14001_0_	40	40	137	60	45	90250
15003_0_	50	40	154	70	53	90251
15001_0_	50	50	154	70	53	90251
16001_0_	60	60	190	80	65	9025301
18101_00	80	80	255	120	90	9027001

0 = without scale
A = scale at 270°

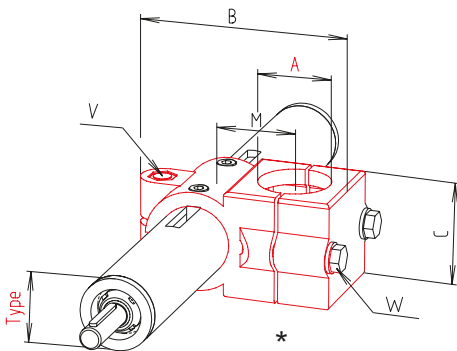
0 = without slide bushing
1 = with slide bushing

* The external diameters of fixing plates are the same while the internal diameters of fixing holes may vary. Please also refer to KD range.

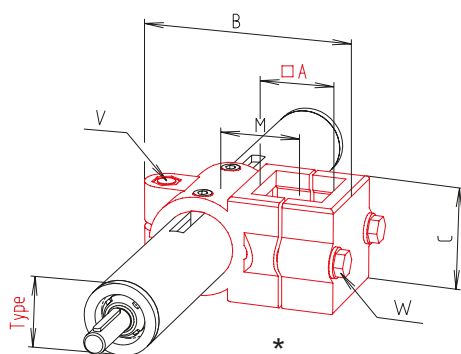
E linear units – Fixing
Carriages
KD*


* Different external diameters of the fixing plates and different internal diameters of fixing holes. Please also refer to K range.

Code No.	Type	A	B	C	M	[mm]	
						V1	V2
11803_00	18	30	84	40	27	Clamping levers Code No.	
13003_0_	30	14	84	33	27	9022201	90209
13004_0_	30	40	137.5	65	45	90251	
14003_0_	40	20	110	50	36	90250	9022201
14004_0_	40	30	137.5	65	45	90251	
15004_0_	50	30	137.5	65	45	90251	
16004_00	60	50	180	80	60	9025301	9025501

KR


Code No.	Type	A	B	C	M	[mm]	
						V	W
13005_0_	30	30	86	45	33	Clamping levers Code No.	
14005_0_	40	40	117	60	47	9024301	9022501
25005_0_	50	50	126	86	53	9022601	

KVR


Code No.	Type	A	B	C	M	[mm]	
						V	W
13006_0_	30	30	86	45	33	Clamping levers Code No.	
14006_0_	40	40	117	60	47	9024301	9022501
25006_0_	50	50	126	86	53	9022601	

* Type 50 (image similar)

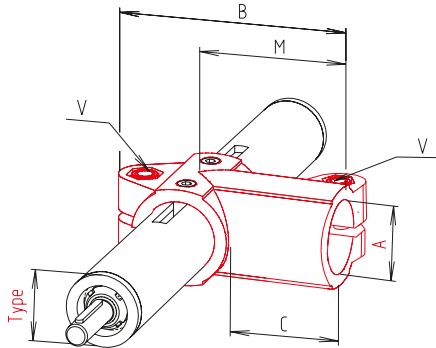
0 = without scale
A = scale at 270°

0 = without slide bushing
1 = with slide bushing

E linear units – Fixing

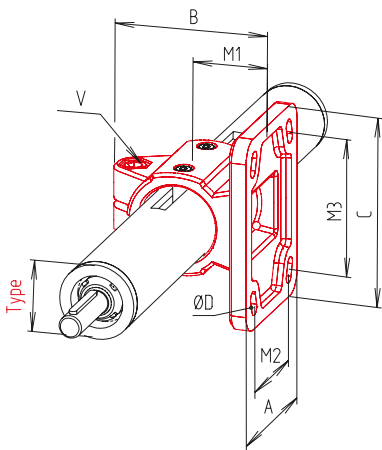
Carriages

W



Code No.	Type	A	B	C	M	Clamping levers V Code No.
11807_00	18	18	66	30	43	90209
13007_0_	30	30	93	40	60	9022201
14007_0_	40	40	134	60	88	90250
15007_0_	50	50	149	65	98	90251
16007_0_	60	60	183	80	120	9025301

FK



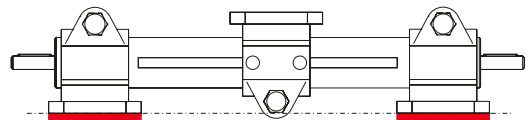
Code No.	Type	A	B	C	D	M1	M2*	M3*	Clamping levers V Code No.
11809_00	18	35	41	50	5.5	18	-**	40	90209
13009_0_	30	55	63	78	6.5	30	-**	53-60	9022201
13023_0_	30-4	55	63	78	6.5	30	35-40	53.60	9022201
14009_0_	40	80	87	105	8.5	42	52-60	80-82	90250
15009_0_	50	90	98	128	10.5	50	60-62	98-100	90251
16009_0_	60	110	123	150	10.5	60	74-80	100-118	9025301
18109_00	80	164.7	162.4	180	17.5	80	120	140	9027001

0 = without scale
A = scale at 270°

0 = without slide bushing
1 = with slide bushing

* Type 30-60 with slot
** Type 18-30 with central holes

If using FK elements as carriages and fixing elements, spacers provide the necessary clearance.

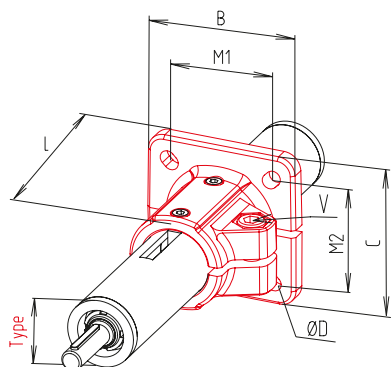


Code No.	Type	Spacer
96713	30	5 mm plate thickness, vibratory finished
96714	40	
96716	60	



Carriages

FS

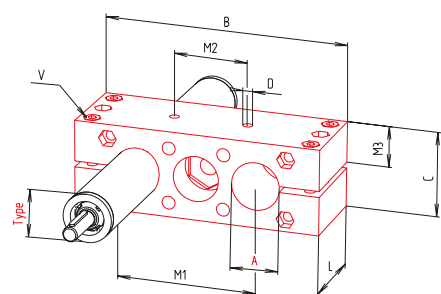


[mm]

Code No.	Type	B	C	D	L	M1*	M2*	Clamping levers V Code No.
11811_00	18	42	42	5.5	37	28-30	28-30	90209
13011_0_	30	60	60	6.5	50	40-42	42-45	9022201
14011_0_	40	90	90	8.5	70	60-64	60-64	90250
15011_0_	50	105	105	10.5	85	74-80	74-80	90251
16011_0_	60	120	120	10.5	100	80-89	80-89	9025301
18111_00	80	170	174.5	17.5	141.4	120	120	9027001

* Type 30-60 with slot

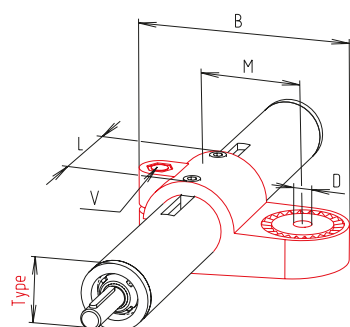
PB



[mm]

Code No.	Type	A	B	C	D	M1	M2	M3	L	Clamping levers V Code No.
11813_00	18	18	82	28	M 5	40	18	14.5	28.5	9302501
23013_0_	30	30	130	52	M 6	70	42	27	50	9021501
14013_0_	40	40	180	62	M 8	90	62	32	61	9022501
25013_0_	50	50	206	72	M 8	100	62	37	72	9022801
26013_0_	60	60	240	86.5	M10	130	74	44	80	9023001

LW



[mm]

Code No.	Type	B	D	L	M	Clamping levers V Code No.
11814_00	18	59	M 6	25	27	90210
13014_0_	30	93.5	M 8	40	43	9022401
14014_0_	40	127	M10	56	60	9024301
15014_0	50	148	M10	66	70	9024401

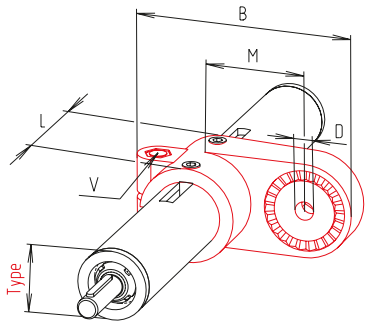
0 = without scale
A = scale at 270°

0 = without slide bushing
1 = with slide bushing

E linear units – Fixing

Carriages

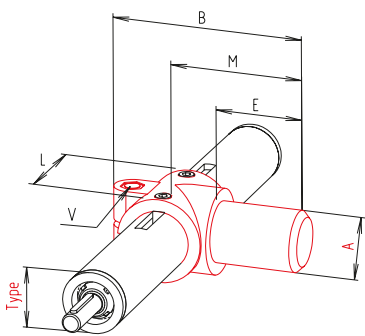
LQ



[mm]

Code No.	Type	B	D	L	M	Clamping levers V Code No.
13015_0_	30	93.5	M 8	45	43	9022401
14015_0_	40	128	M10	60	60	9024301

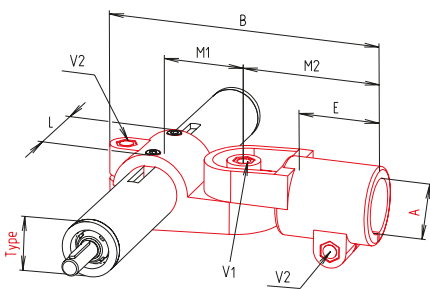
S



[mm]

Code No.	Type	A	B	E	L	M	Clamping levers V Code No.
11818_00	18	18	72.5	33	32	48	90210
13018_0_	30	30	100	42	45	67	9022201
14018_0_	40	40	135	57	60	88	90250
15018_0_	50	50	148	67	70	103	90251
16018_0_	60	60	188	82	85	125	9025301

GW



[mm]

Code No.	Type	A	B	E	L	M1	M2	V1	V2
								Clamping levers V Code No.	
11816_00	18	18	90.5	25	25	27	44	90210	
13016_0_	30	30	146.5	45	40	43	73	9022401	
14016_0_	40	40	200	60	56	60	100	9024301	
15016_0_	50	50	230	70	66	70	115	9024401	

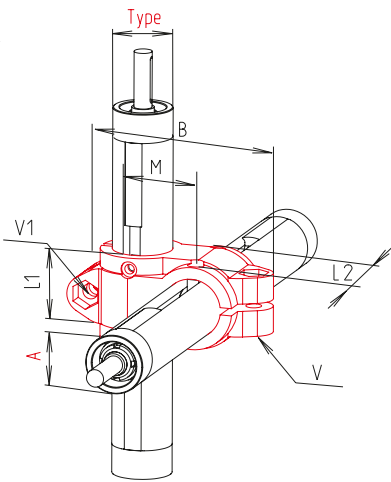
0 = without scale
A = scale at 270°

0 = without slide bushing
1 = with slide bushing



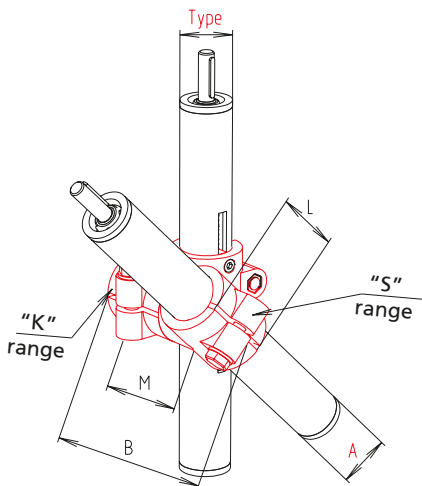
Carriages

EK



Code No.	Type	A	B	L1	L2	M	[mm]	
							V1	V
							Clamping levers Code No.	
11819_00	18	18	66	25.5	25.5	20	90209	
13020_0_	30	18	84	40	30	27	9022201	90209
13019_0_	30	30	99	40	40	33	9022201	
14020_0_	40	30	137	65	65	45	90251	
14019_0_	40	40	137	60	60	45	90250	
15020_0_	50	40	137.5	65	65	45	90251	
15019_0_	50	50	137.5	65	65	45	90251	
16020_0_	60	50	180	80	50	60	9025301	9025501
16019_0_	60	60	190	80	80	65	9025301	
18119_00	80	80	255	120	120	90	9027001	

EKS



Code No.	Type	A	B	L	M	[mm]	
						Range K	Range S
						Clamping levers Code No.	
13022_0_	30	18	65	25	29	9022201	90210
13021_0_	30	30	94	45	43	9022201	
14022_0_	40	30	119	45	56	90251	9022201
14021_0_	40	40	132	60	61	90250	
15022_0_	50	40	169	60	64	90251	
15021_0_	50	50	169	70	69	90251	
16022_0_	60	50	151	70	76	9025501	
16021_0_	60	60	186	85	65	9025301	

0 = without scale
A = scale at 270°

0 = without slide bushing
1 = with slide bushing

Drive key for carriages

- Rotation locking for additional free-running carriages

Note: The order number of the linear unit includes a drive key



Code No.	Type	Installation length
95990	E 18	24
95987	E-II 30	38
95997	E-II 40	55
95998	E-II 40 x 20*	55
95988	E-II 50	60
95989	E-II 60	75
95996	E 80	100

* For carriage KD 40 x 20

E linear units – Fixing

Fixing elements

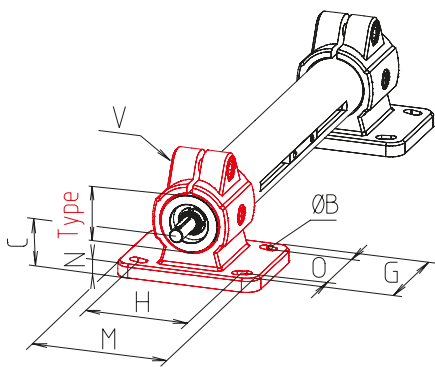
- Clamping elements for the simple fixing of E units
- For further elements, please refer to the catalogue "Connecting Technology"

Material: Gk Al Si 12, vibratory polished

Coloured powder-coatings available on request.

For further dimensions, please refer to the catalogue "Connecting Technology"

FK



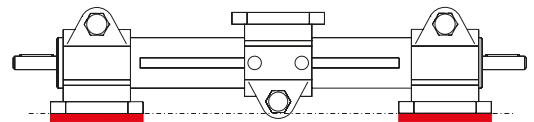
[mm]

Code No.	Type	B	C	G	H*	M	N	O*	Clamping levers V Code No.
12180000020	18	5.5	18	37	40	50	5	-**	90209
12300000020	30	6.5	30	55	53-60	78	7	-**	9022201
12300100020	30-4	6.5	30	55	53-60	78	7	35-40	9022201
12400000020	40	8.5	42	80	80-82	105	10	52-60	90250
12500000020	50	10.5	50	90	98-100	128	14	60-62	90251
12600000020	60	10.5	60	110	100-118	150	15	74-80	9025301
12800000020	80	17.5	80	164.7	140	180	20	120	9027001

* Type 30-60 with slot

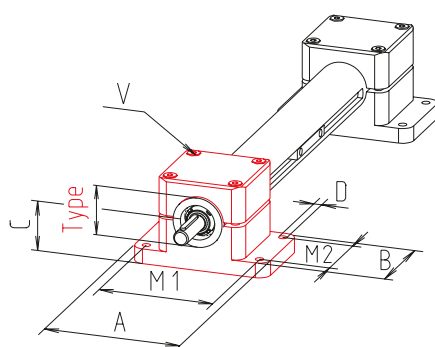
** Type 18-30 with central drill holes

If using FK elements as carriages and fixing elements, spacers provide the necessary clearance.



Code No.	Type	Spacer
96713	30 (not for FK 30-4)	5 mm plate thickness, vibratory finished
96714	40	
96716	60	

FKR



[mm]

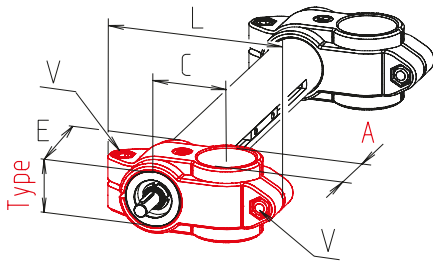
Code No.	Type	A	B	C	D	M1	M2	Clamping levers V Code No.
22300003026	30	100	60	30	6.5	82	42	9021501
22400003026	40	110	70	40	6.5	92	52	9021701
22500003026	50	125	125	50	8.5	98	98	9023001
22600003026	60	144	100	60	8.5	122	78	9023101



Fixing elements

K

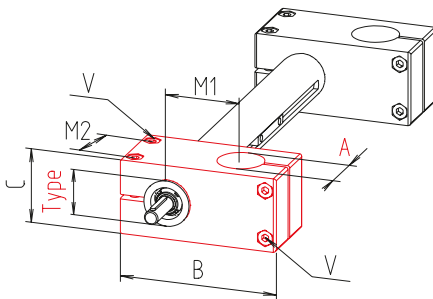
[mm]



Code No.	Type	A	C	E	L	Clamping levers V Code No.
101800000200	18	18	20	25.5	66	90209
103000000200	30	30	33	40	99	9022201
104000000200	40	40	45	60	137	90250
105000000200	50	50	53	70	154	90251
106000000200	60	60	65	80	190	9025301
108000000200	80	80	90	120	255	9021701

KRR

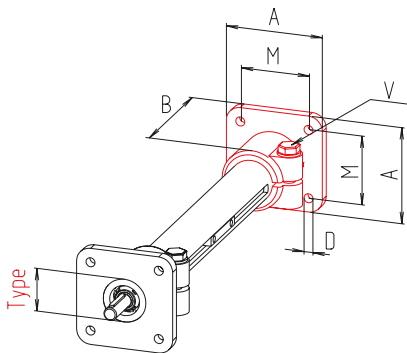
[mm]



Code No.	Type	A	B	C	E	M1	M2	Clamping levers V Code No.
203000030266	30	30	82,5	45	63	37.5	44	9021301
204000030266	40	40	110	60	75	50	53	9021501
205000030266	50	50	149	86	86	70	65	9022801
206000030266	60	60	170	100	100	80	78	9022801

FS

[mm]

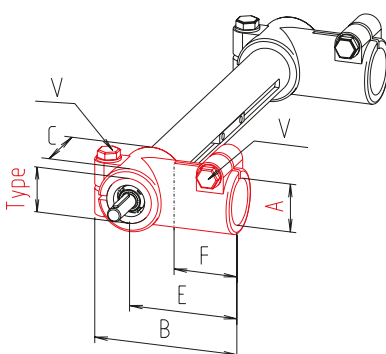


Code No.	Type	D	M	B	A	Clamping levers V Code No.
13180000020	18	5.8	30	37	42	90209
13300000020	30	6.5	40-42	50	60	9022201
13400000020	40	8.5	60-64	70	90	90250
13500000020	50	10.5	74-80	85	105	90251
13600000020	60	10.5	80	100	120	905301
13800000020	80	17.5	120	141.4	174.5	9027001

* Type 30-50 with slot

W

[mm]

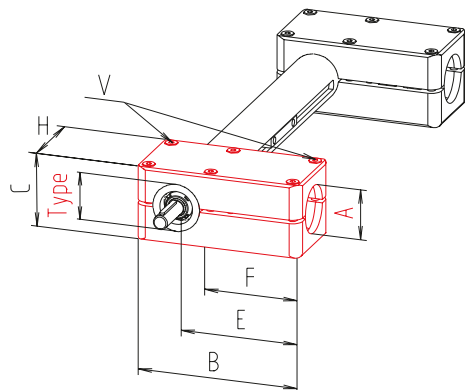


Code No.	Type	A	C	E	L	M	Clamping levers V Code No.
111800000200	18	18	30	32	67.5	43	90209
113000000200	30	30	40	45	93	60	9022201
114000000200	40	40	60	60	134	88	90250
115000000200	50	50	65	70	149	98	90251
116000000200	60	60	80	80	183	120	9025301
118000000200	80	80	121.7	123	259	176.8	9027001

E linear units – Fixing

Fixing elements

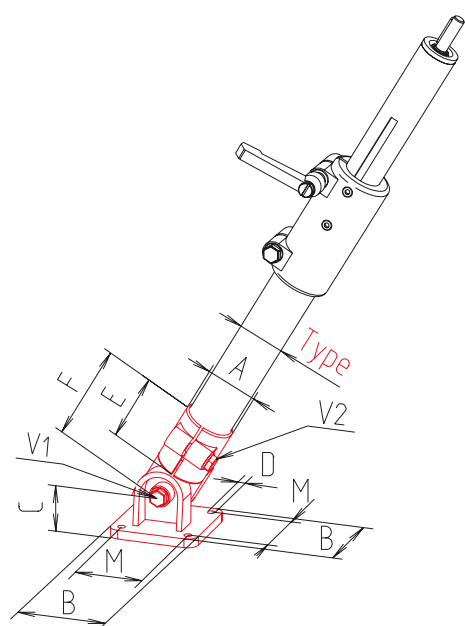
WR



[mm]

Code No.	Type	A	B	C	E	F	H	Clamping levers V Code No.
214000030266	40	40	140	62	105	70	70	9021601
215000030266	50	50	161	79	118	85	86	9022901
216000030266	60	60	190	90	140	100	100	9023001

GF



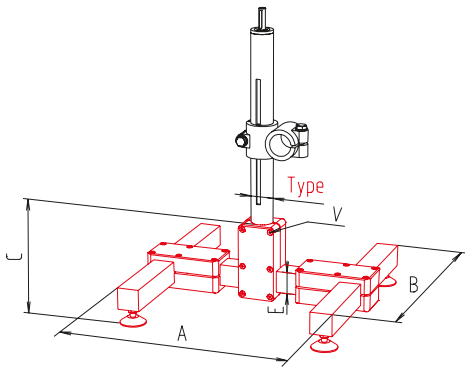
[mm]

Code No.	Type	A	B	C	D	E	F	M	V1	V2
									Clamping levers Code No.	
18180002020	18	18	35x50	20	5.3	25	44	38	90210	
18250002020	25	25	75	32.5	6.5	45	73	57	9022401	
18300002020	30	30	75	32.5	6.5	45	73	57	9022401	
18320002020	32	32	100	44	8.5	60	100	76	9024301	
18400002020	40	40	100	44	8.5	60	100	76	9024301	
18500002020	50	50	125	52	8.5	70	115	98	9024401	



Fixing elements

FHR

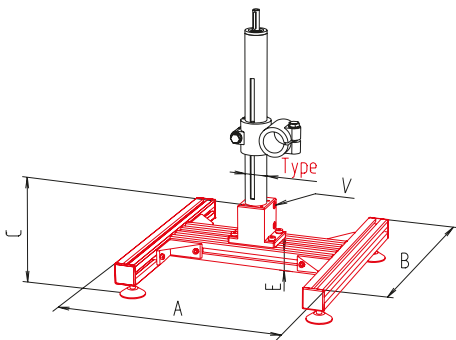


[mm]

Code No.	Type	A	B	C Roller	C min. Foot	Adjustment range foot	E	Clamping levers V Code No.
23300020026_	30	350	350	203	148	+25	30	9021401
23400020026_	40	400	400	223	145	+28	40	9021601
23500020026_	50	500	500	241	168	+30	50	9022901
23600020026_	60	600	600	268	204	+51	60	9023001

Version:
 3 = Foot
 4 = Steering roller with brake

FHNR

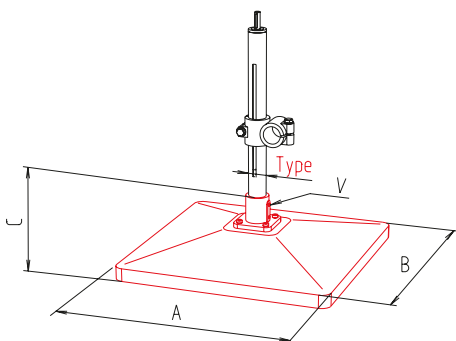


[mm]

Code No.	Type	A	B	C Roller	C Foot	Adjustment range foot	E	Clamping levers V Code No.
23300022026_	30	350	350	159	130	0	40	9022201
23400022026_	40	400	400	179	150	0	40	90250
13500022020_	50	500	500	214	185	0	60	90251
23600022026_	60	600	600	229	200	0	60	9025301

Version:
 3 = Foot
 4 = Steering roller with brake

FPFS*



[mm]

Code No.*	Type	A	B	C	Clamping levers V Code No.
134000120 _ _ _ _	40	500	500	150	90250
135000120 _ _ _ _	50	500	500	165	90251
136000120 _ _ _ _	60	500	500	180	9025301

* For versions, please also refer to the catalogue "Connecting Technology"

E linear units – Fixing

Covers

- Slot covers, can be used as dust protection or stroke limitation
- Can be shortened or lengthened if required

Material: Stainless steel
Scope of delivery: Pack of 2 cover strips or as bar material



The covers are available as a pack of two, or as bar material.



The linear unit comes with two covers for the bearing seats.



Additional covers can be inserted in the guide slot.

Code No.	Type	Length [mm]
Covers, pack of 2		
90440	30	63
90441	40	57
90442	50	60
90443	60	74
Cover, bar material		
90445	30	3010
90446	40	3010
90447	50	3010
90448	60	3010



E linear units – Fixing

Clamping lever

- For the equipping of fixing elements and carriages

Material: Zinc die cast handle
Steel parts zinc plated

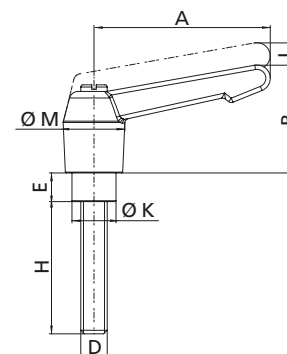
Stainless steel lever available on request.



Lever for slide clamp



Lever for component clamp



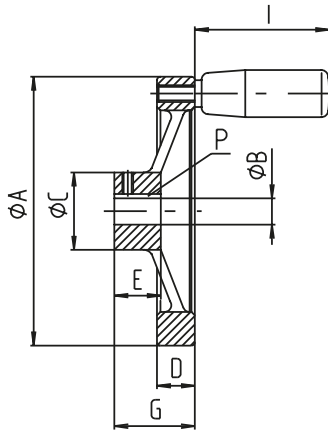
[mm]

Code No.	Type	A	B	D	E	H	K	L	M
93025	M5x20	40	27	M5	5,5	20	7,5	3	14
90210	M6x16	40	27	M6	6,5	16	10	3	14
90209	M6x18	40	27	M6	6,5	18	10	3	14
9024901	M6x20	40	27	M6	6,5	20	10	3	14
9021501	M6x45	40	27	M6	6,5	45	10	3	14
9021601	M6x55	65	36	M6	6,5	55	10	3	19
9022201	M8x25	65	36	M8	8,5	25	13	3	19
9022401	M8x35	65	36	M8	8,5	35	13	3	19
9022501	M8x45	65	36	M8	8,5	45	13	3	19
9022601	M8x50	65	36	M8	8,5	50	13	3	19
9022801	M8x60	65	36	M8	8,5	60	13	3	19
9022901	M8x70	80	44,5	M8	8,5	70	13	4	22
9023001	M8x80	80	44,5	M8	8,5	80	13	4	22
90250	M10x30	80	44,5	M10	11	30	16	4	22
90251	M10x35	80	44,5	M10	11	35	16	4	22
9024301	M10x50	80	44,5	M10	10	50	16	4	22
9024401	M10x60	95	53	M10	10	60	16	4,5	27,5
9025501	M12x40	95	53	M12	10	40	19	4,5	27,5
9025301	M12x45	95	53	M12	13,5	45	18	4,5	27,5
9027001	M16x72	110	60	M16	12	72	23	5	32,5

E linear units – Drive

Handwheel

Material: Die-cast aluminium
black powder-coating



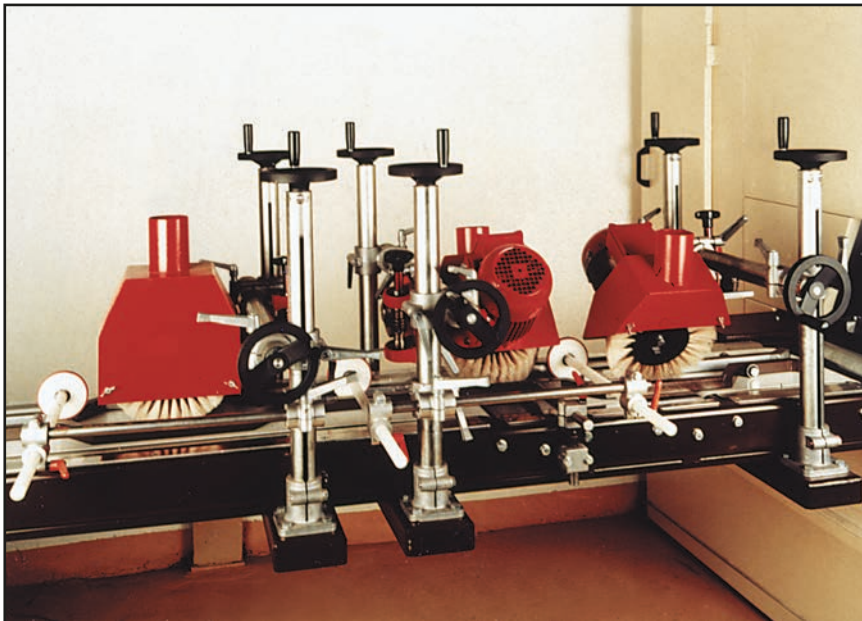
Diam. 140-200



Diam. 60-100

[mm]

Code No.	Type	Diam. A	B	C	D	E	G	P	I
90901	18	60	6	18	13	16	22	2 x 2	28
90913	30	100	8	28	14	17	30	2 x 2	52
90915	40-50	100	12	28	14	17	30	4 x 4	52
90905	40-50	140	12	36	16.5	19.5	36	4 x 4	66
90906	60	140	14	36	16.5	19.5	36	5 x 5	66
90918	60	160	14	36	18	20	39	5 x 5	80
90929	80	200	20	42	20.5	24	45	6 x 6	80

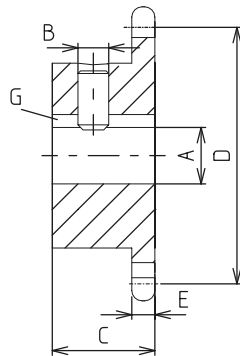




Chain wheel

■ Other sizes on request

Material: Steel, 500 N/mm² min



[mm]

Code No.	Type	A	B	C	D	E	G	No. of teeth	Size
91703	30	8	M6	18	41.1	4.5	2 x 2	10	1/2 x 3/16"
91704	40	12	M6	20	53	4.5	4 x 4	13	1/2 x 3/16"
91705	50	12	M6	20	61	4.5	4 x 4	15	1/2 x 3/16"
91706	60	14	M6	25	85	4.5	5 x 5	21	1/2 x 3/16"
91708	80	20	M6	25	85	4.5	6 x 6	21	1/2 x 3/16"

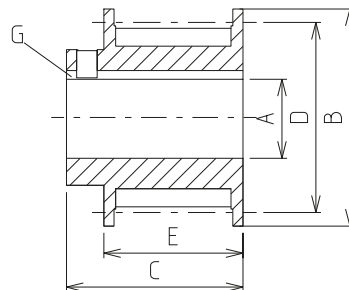
HTD timing-belt pulley

■ Suitable for maintenance-free continuous operation

■ Excellent accuracy and zero backlash during change of direction

■ Can be clamped on feather key

Material: Steel



[mm]

Code No.	Type	A	B	C	D	E	G	Pull force	Pitch
92103	30	8	23	20	19.09	14.5	2 x 2	220 N	5
92105	40/50	12	32	26	28.65	20.5	4 x 4	330 N	5
92106	60	14	32	26	28.65	20.5	5 x 5	330 N	5

E linear units – Technical data

Order instruction:

- When using angle drives, only use linear units with ball bearings

Angular drive

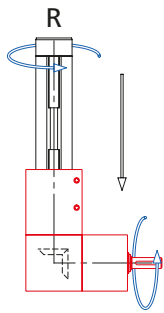
- Fits all E and E-II linear units 30-60
- Can be retrofitted
- Low noise level
- Suitable for manual adjustment and motorized via EHL or unit drive LZ



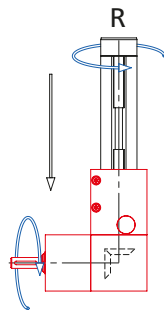
Technical data

Angular Drive												
Type	Duty cycle		Ambient temperature		Drive speed		Nominal torque [Nm]		Max. torque* [Mm]		Efficiency [%]	
	L	T	L	T	L	T	L	T	L	T	L	T
30	S3 30% basic 1h		0°C to +60°C		0 to 350 min ⁻¹		1,90	0,95	8		95	90
40							2,90	1,45	12		95	90
50							4,70	2,35	17		95	90
60							6,70	3,35	17		95	90

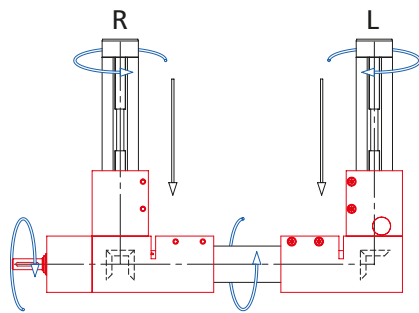
*Briefly. Not a permanent moment. Block travel not permitted.

Configuration examples


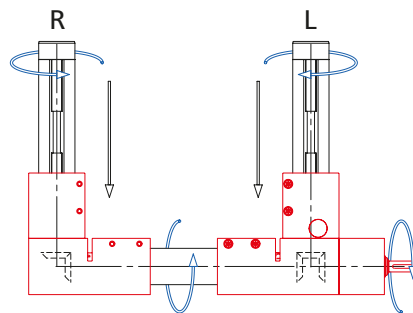
or


Components needed:

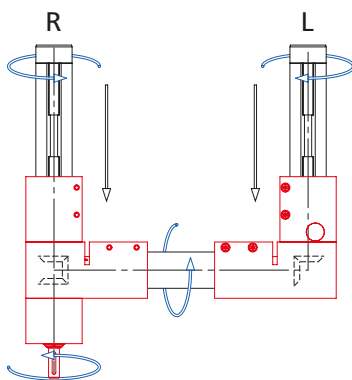
- 1x E-II with righthand thread
- 1x Angular drive – L
- 1x Flange bearing unit



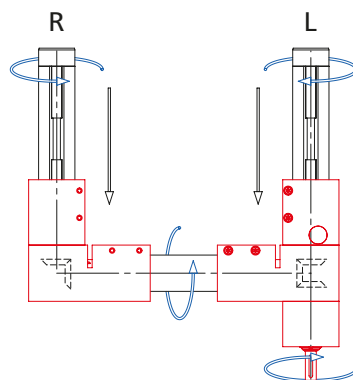
or


Components needed:

- 1x E-II with righthand thread
- 1x E-II with lefthand thread
- 2x Angular drive – T
- 1x Flange bearing unit
- 1x Transmission unit



or


Components needed:

- 1x E-II with righthand thread
- 1x E-II with lefthand thread
- 2x Angular drive – T
- 1x Flange bearing unit
- 1x Transmission unit

E linear units – Drive

Order instruction:

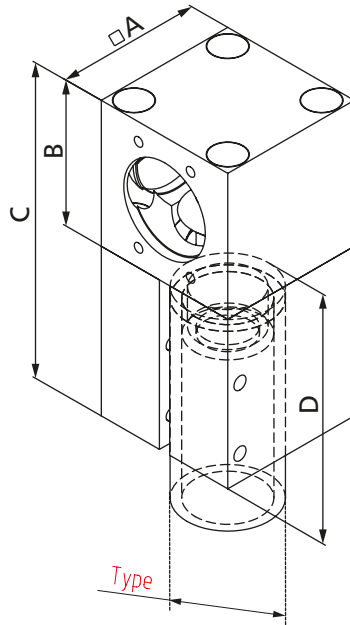
- When adapting an hand-wheel or positioning-indicator a flange bearing unit is still required

Angular drive – L



- For 90° arrangement of the hand-wheel, EHL or unit drive LZ on an E-II linear unit

Scope of delivery:
Housing, 1 Plastic-bevel gear with adjusting ring, screws and closing caps



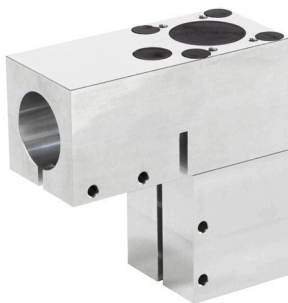
[mm]

Code No.	Type	i	A	B	C	D
91520F1F1A	30	1:1	52	52	100	39
91521F1F1A	40	1:1	62	62	134	55
91522F1F1A	50	1:1	72	72	153	66
91523F1F1A	60	1:1	82	82	170	80

Order instruction:

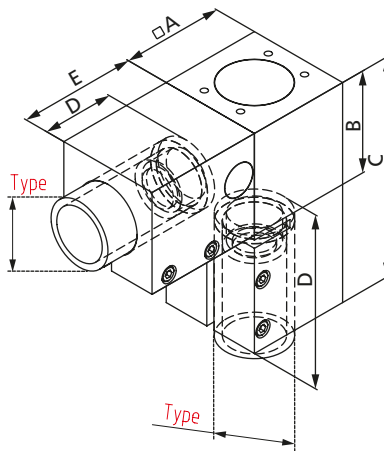
- When adapting an hand-wheel or positioning-indicator a flange bearing unit is still required

Angular drive – T



- For synchronization of two E-II linear units
- Suitable for manual adjustment, via EHL or unit drive LZ

Scope of delivery:
Housing, 2 Plastic-bevel gears with adjusting rings, screws and closing caps



[mm]

Code No.	Type	i	A	B	C	D	E
91520G1F1A	30	1:1	52	52	102	39	48
91521G1F1A	40	1:1	62	62	134	55	72
91522G1F1A	50	1:1	72	72	153	66	81
91523G1F1A	60	1:1	82	82	172	80	88



E linear units – Drive

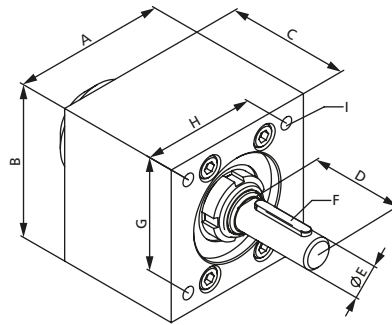
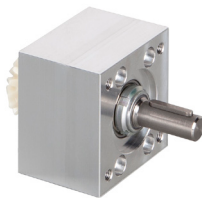
Order instruction:

- When adapting an EHL or the unit drive LZ S, a motor adapter is still required

- For adaptation of the hand-wheel or position indicator on the angular drive

Scope of delivery:
Housing, 1 Plastic-bevel gear with shim rings and screws

Flange bearing unit



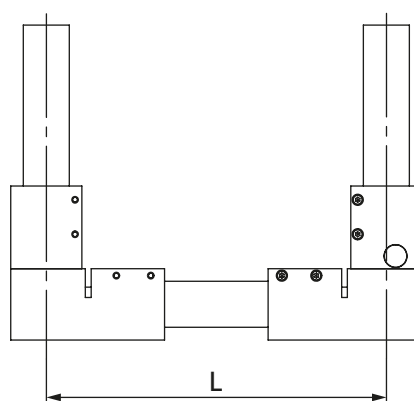
[mm]

Code No.	Type	A	B	C	D	E	F	G	H	I
91540H1F1A	30	52	52	40	24	8	2x2x20	30	40	4xM6-12 deep
91541H1F1A	40	62	62	50	38	12	4x4x25	46	46	4xM6-12 deep
91542H1F1A	50	72	72	74	38	12	4x4x32	46	46	4xM8-16 deep
91543H1F1A	60	82	82	68	33	14	5x5x32	55	55	4xM8-16 deep

Transmission unit

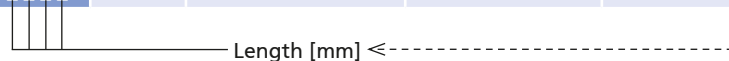
- For torque transmission with parallel linear units

Material:
Tube and bearing elements zinc plated steel, shaft bright



[mm]

Code No.	Type	Basic length (minimum length)	Max. length	Required length
92523	30	160	3074	L – 74
92544	40	210	3096	L – 96
92555	50	240	3102	L – 102
92506	60	270	3102	L – 102



E linear units – Drive

Selection table - motor adaptor/coupling

Type	Three-phase motor		EHL electr. handwheel	Drive unit	
	90/120 W	180/250 W		LZ S	LZ P
E 30	949983	–	92663	949700	949701
	9109200812	–	–	9109200810	9109200810
E 40	949984	–	92664	949702	949703
	9114301212	–	–	9114301012	9114301012
E 50	949985	–	92684	949704	949705
	9114301212	–	–	9114301012	9114301012
E 60	–	949606	949666	949706	–
	–	9119401414	–	9114301014	–
E 80	–	950001	92682	on request	–
	–	9119401420	–	9119401020	–

↓

Code No. Motor adaptor:
950001

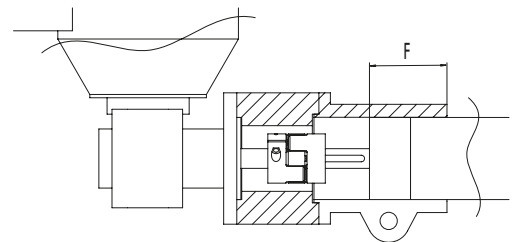
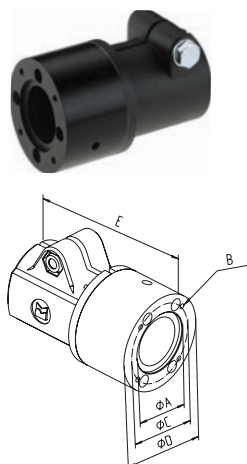
Code No. Coupling with
specification of shaft
diameter
1st end = 12 mm
2nd end = 12 mm:
9114301212

Note:
For further details on motor versions,
please refer to the chapter "Motors and
controls"

Motor adaptor for three-phase motor

- Clampable adaptor
- Flange surface machined

Material: Die-cast aluminium



[mm]

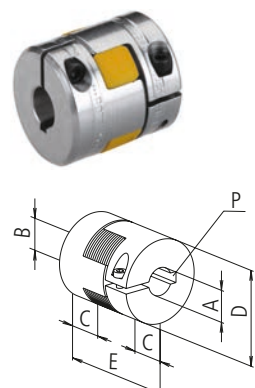
Code No.	Type	A	B	C	D	E	F
949983	30	50	M5	65	80	102,5	36,5
949984	40	50	M5	65	80	128	47
949985	50	50	M5	65	80	128	47
949606	60	80	M6	100	120	136	50
950001	80	80	M6	100	120	199,5	120

Coupling

- Small size
- Shaft connection without backlash
- Maintenance-free
- Easy plug-in assembly

Material: Hub – aluminium
Spider ring – polyurethane

To ensure proper function of the coupling, a clearance of $D + 3$ mm is required.



[mm]

Code No.	Type	A	B	C	D	E	P	Torque [Nm]	
								with feather key	without feather key
9109200812	30	8	12	10	22	30	2 x 2/4 x 4	5	3
9114301212	40/50	12	12	11	30	35	4 x 4/4 x 4	12	6
9119401414	60	14	14	25	40	65	5 x 5/5 x 5	17	10
9119401420	80	14	20	25	40	65	5 x 5/6 x 6	17	10



E linear units – Drive

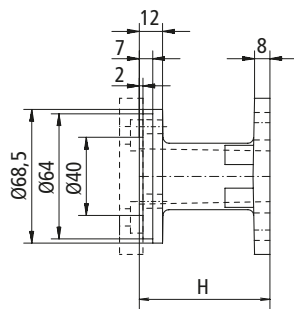
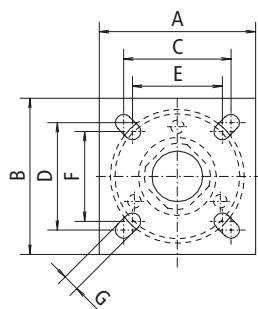
Motor adaptor for EHL electronic handwheel

- Clampable adaptor
- Incl. coupling

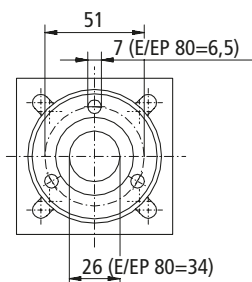
Note:

To mount the motor adaptor on a Type E linear unit, a sleeve clamp is required. (this is included with the adaptor) Please note that the stroke may be limited.

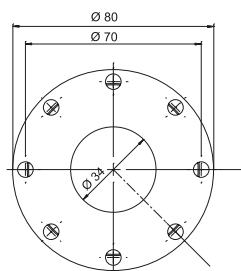
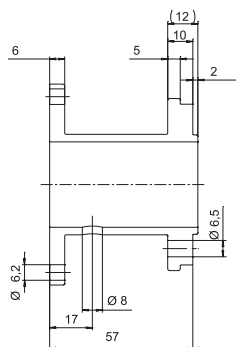
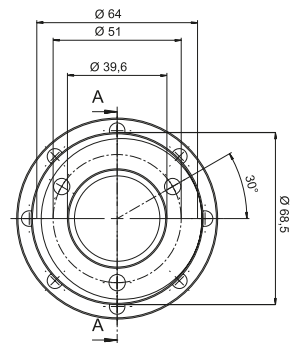
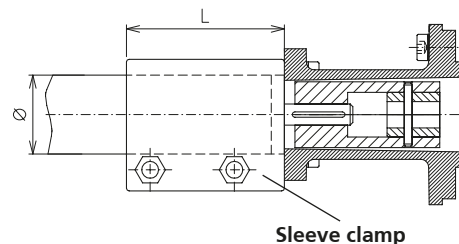
Linear unit connection



EHL connection



Only for linear unit Type E

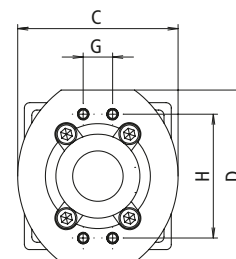
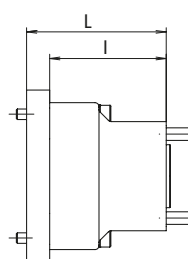
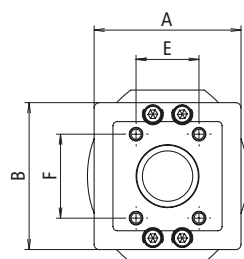


Other adapters available on request

Code No.	for linear unit	Shaft diam. unit	A	B	C	D	E	F	G	H	L	Diameter
92663	E 30	8	50	50	30	40	30	30	6	67	60	30
92664	E 40	12	60	60	46	46	36	36	7	67	75	40
92684	E 50	12	65	65	46	46	–	–	9	67	67	60
949666	E 60	14	80	80	55	55	46	46	9	67	93	60
92682	E 80	20	80	80	70	70	–	–	6.2	59		80

Motor adaptor for LZ S/P drive unit

- Clampable adaptor



Linear unit	LZ S Code No.	LZ P Code No.	Coupling Code No.	A	B	C	D	E	F	G	H	I	L
E 30	949700	949701	9109200810	56	74	76.4	82	–	–	56.5	39.6	65	134
E 40	949702	949703	9114301012	89.2	66	76.4	82	–	–	56.5	39.6	78	129
E 50	949704	949705	9114301012	66	84	76.4	82	–	–	56.5	39.6	78	129
E 60	949706	–	9114301014	80	103	76.4	82	–	–	52.3	52.3	92	143
E 80	on request		9119401020	on request									

E linear units – Position determination

Order instruction:

- Position of scale on 0° or 180° as option

Scale

- Self-adhesive
- Width: 10 mm
- 4 mm high figures

Material: High-performance film, transparent

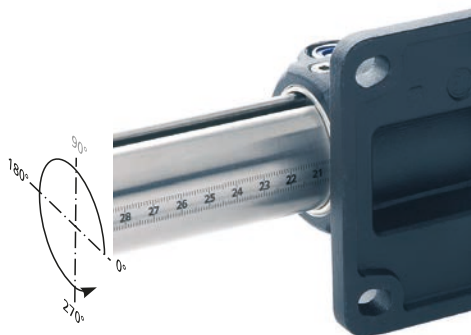


Image shows scale mounted at 0°, to be read from right to left. Standard mounting at 270° (Type 30-60: 90° not technically possible, Type 80: (90° and 180° not technically possible)

[mm]

Type	Can be read from	Length	Version
30-60*	left to right	0-2000	fitted
	right to left	0-2000	fitted

* Type 18 and 80 available on request.





E Linear units – Position determination

RK ROSE+KRIEGER

Positioning indicator

- Max ambient temperature +80°C
- Figure height 6 mm
- Reading accuracy ± 0.1 mm
- If positioning indicators are fitted, the linear units are delivered exclusively with ball bearings

Material: Housing polyamide 6 Orange RAL 2004, Steel parts, corrosion protected

Scope of delivery: Positioning indicator, clamping ring, shaft extension and fastenings

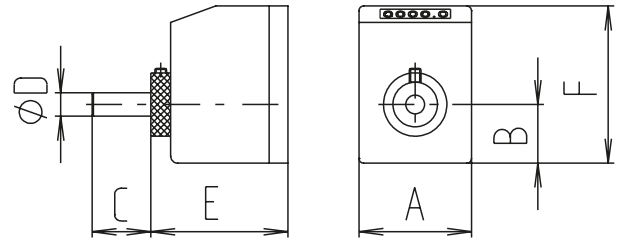
Note: "rising" and "falling" versions refer to the clockwise rotation of the drive shaft.



Installation position: horizontal



Installation position: vertical

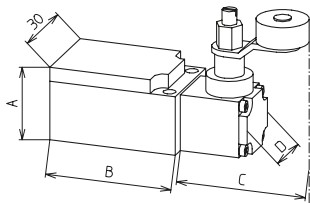


Type	Installation position	Connection	Code No.	Version	Code No.	Version	A	B	C	D	E	F
18	horizontal	Directly to E-II	91001	2mm rising	910129	4mm rising	48	29	17	6	60	67
18			91011	2mm falling	910130	4mm falling	48	29	17	6	60	67
18	vertical		91021	2mm rising	910131	4mm rising	48	29	17	6	60	67
18			91031	2mm falling	910132	4mm falling	48	29	17	6	60	67
30	horizontal	Directly to E-II or on angular drive	91043	3mm rising	91010	6mm rising	48	25	18	8	59	67
30			91053	3mm falling	91029	6mm falling	48	25	18	8	59	67
30	vertical		91063	3mm rising	91020	6mm rising	48	25	18	8	59	67
30			91073	3mm falling	91019	6mm falling	48	25	18	8	59	67
40	horizontal	Directly to E-II or on angular drive	91004	4mm rising	91030	8mm rising	48	25	38	12	59	67
40			91014	4mm falling	91039	8mm falling	48	25	38	12	59	67
40	vertical		91024	4mm rising	91040	8mm rising	48	25	38	12	59	67
40			91034	4mm falling	91041	8mm falling	48	25	38	12	59	67
50	horizontal	Directly to E-II or on angular drive	91045	4mm rising	91046	8mm rising	48	25	38	12	59	75
50			91055	4mm falling	91047	8mm falling	48	25	38	12	59	75
50	Vertikal		91065	4mm rising	91048	8mm rising	48	25	38	12	59	75
50			91075	4mm falling	91049	8mm falling	48	25	38	12	59	75
60	horizontal	Only on angular drive	910120	5mm rising	910124	10mm rising	48	25	38	14	60	81
60			910121	5mm falling	910125	10mm falling	48	25	38	14	60	81
60	vertical		910122	5mm rising	910126	10mm rising	48	25	38	14	60	81
60			910123	5mm falling	910127	10mm falling	48	25	38	14	60	81
60	horizontal	Directly to E-II	91006	5mm rising	91056	10mm rising	48	25	38	14	60	81
60			91016	5mm falling	91057	10mm falling	48	25	38	14	60	81
60	vertical		91026	5mm rising	91058	10mm rising	48	25	38	14	60	81
60			91036	5mm falling	91059	10mm falling	48	25	38	14	60	81
80	horizontal	Directly to E-II	91101	6mm rising	910133	12mm rising	64	29	31	20	60	94
80			91102	6mm falling	910134	12mm falling	64	29	31	20	60	94
80	vertical		91103	6mm rising	910135	12mm rising	64	29	31	20	60	94
80			91104	6mm falling	910136	12mm falling	64	29	31	20	60	94

[mm]

E linear units – Position determination

Mechanical limit switch



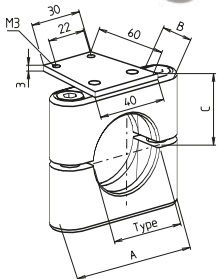
Material: Thermoplastic, fully insulated

Type	18-60	80
Max. voltage	250 V AC	230 V AC
Max. switching current	6 A	4 A
Max. starting current	16 A	–
Operating frequency	Max. 6000/h	Max. 5000/h
Mechanical lifetime	10 million switching cycles	20 million switching cycles
Axis lever adjustment	locking at 10° increments	
Protection class	IP 65	IP 67
Ambient temperature	-30°C to +80°C	

[mm]

Code No.	Type	Switching function	A	B	C	D
91905	18-60	NC/NO	26.5	45	45.5	21
91908	80	NC/NO	30	58.5	46	20

E limit switch holder



- Limit switch can be moved and fixed axially

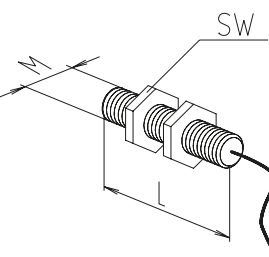
Scope of delivery: Holder with limit switch

Material: Aluminium

[mm]

Code No.	Type	A	B	C	D	E	F	G	H
92764	30	60	16	28	M4	3	30	60	40
92766	40	75	20	37	M4	3	30	60	40
92768	50	85	20	42.5	M4	3	30	60	40
92769	60	100	22	48	M4	3	30	60	40
927101	80	130	30	71	M4	10	70	70	70

Inductive limit switch



- Maintenance-free

Material: Housing - brass, chrome-plated

Type	18-60	80
Voltage	10 - 30 V DC	
Max. switching current	200 mA	150 mA
Operating distance	4 mm for steel	2 mm for steel
Protection class	IP 67	
Ambient temperature	-25°C to +70°C	
Cable lengths	2m	

[mm]

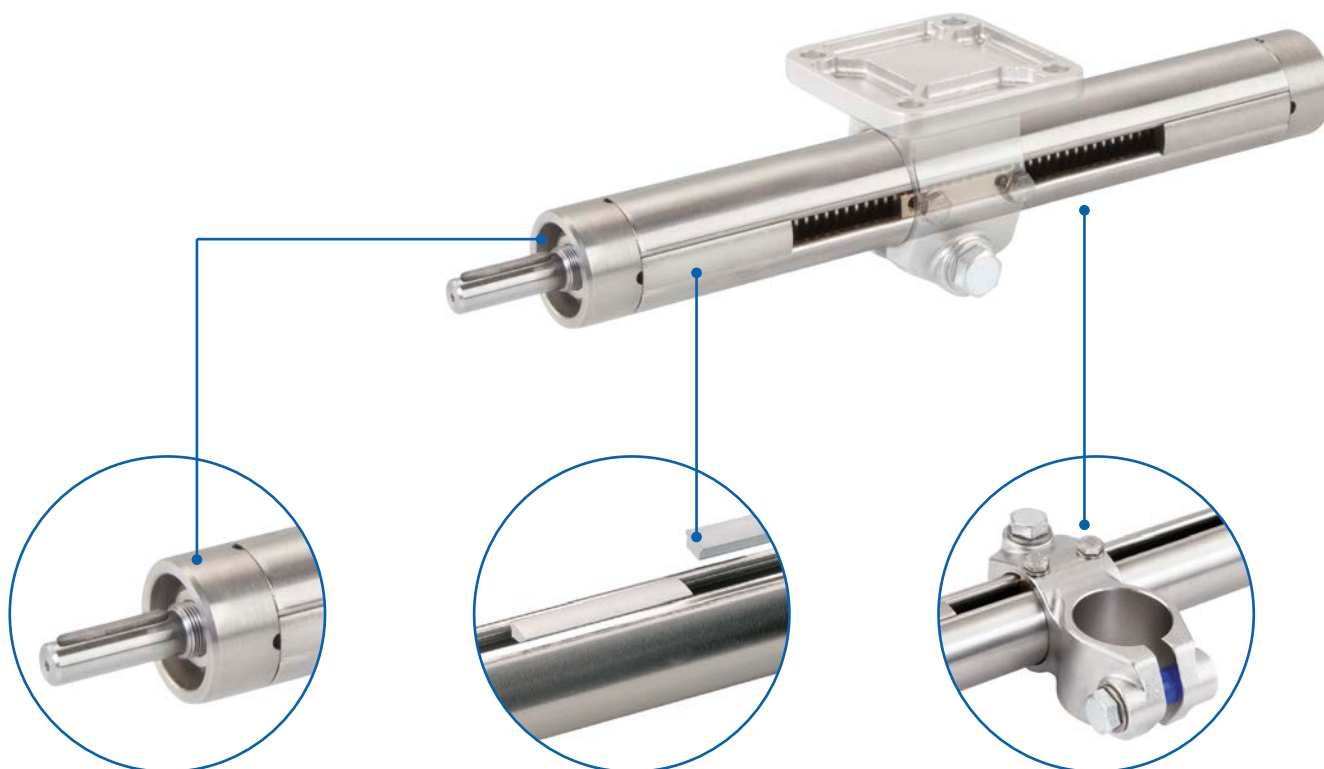
Code No.	Type	Switching function	L	M	Wrench size (SW)
92825	18-60	Changeover	50	12x1	17
92826	80	Changeover	40	8x1	13



Positioning of a labelling machine via a crossing E tubular linear unit

Single tube actuator – Linear unit E-II-stainless

Flexible all-rounder –
now also corrosion-resistant



End element

- ✓ Stainless steel ball bearing as screw bearing
- ✓ With drain hole as standard

Covers

- ✓ Slot cover as dust protection or stroke limitation

Guide carriage/fixing elements

- ✓ Range of variants facilitates connection to your design
- ✓ Made from stainless steel, guide carriages with slide bush as standard

Features:

- Units for light to heavy movement applications
- Corrosion-resistant to media, e.g. water
- Suitable for washing down
- FDA-approved lubricants

Options:

- Second free-running guide carriage
- Higher temperature range up to 150°C



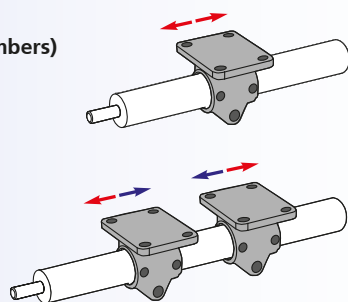
Linear unit E-II-stainless – Table of contents

Properties/Technical data

- General information/operating conditions..... 80
- No-load torques 80
- Load data..... 81

Versions

(Dimensions, order numbers)



- Right- or lefthand thread 82
- Right- and lefthand thread 84

Accessories

Fixing

- Guide carriage..... 86
- Fixing elements 89
- Clamping lever 90
- Covers for E-II-stainless steel 90

Drive

- Handwheel 91

Position determination

- Scale/positioning indicator 92

Linear unit E-II-stainless – Technical data

General information/operating conditions

Design	Actuator with trapezoidal screw in a slotted tube
Guide	Guide carriage with slide bushing
Installation position	Any position
Positioning accuracy	± 0.2 mm / 300 mm stroke
Self-locking	Yes
Ambient temperature	-30°C to + 80°C or -30°C to +150°C

Material

	DIN EN ISO	AISI
Ball bearing	1.4301	304
Trapezoidal screw (-30°C to +80°C)	1.4104	430
Trapezoidal screw (-30°C to +150°C)	1.4301	304
Guide tube		
Bearing		
Screws		
Sealing profile		
End element	1.4305	303
Lead nut	Brass alloy	
Driver key		

Screw lead

Type	Screw lead [mm]	Speed with ball bearing 250 rpm [mm/s]
E-II 30-stainless	3	12.5
E-II 40-stainless	4	16.7

$$\text{Required screw speed* } n \text{ [rpm]} = \frac{\text{speed [m/min]} \times 1000}{\text{screw lead [mm]}}$$

*max. screw speed with ball bearing 250 rpm

No-load torque

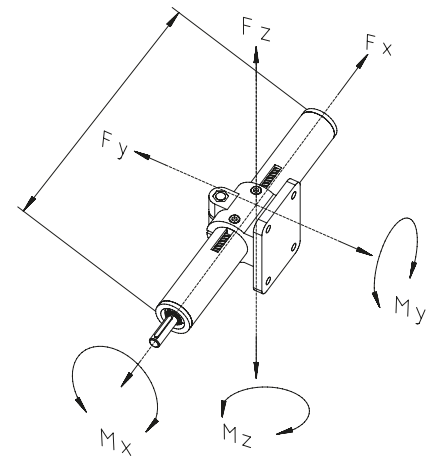
[Nm]

Type	Screw with ball bearing
E-II 30-stainless	0.35
E-II 40-stainless	0.50



Load data*

- F Force [N]
- M Moment [Nm]
- I Geometric moment of inertia [cm⁴]

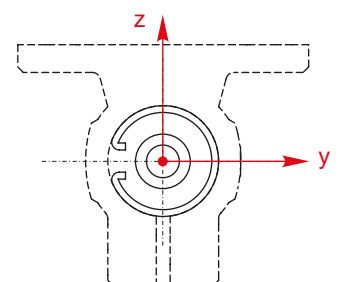


	F _x	F _y *			F _z *			M _x	M _y	M _z
Total length [mm]		500	1000	1500	500	1000	1500			
Type										
E-II 30-stainless	800	500	60	10	500	50	9	6	15	15
E-II 40-stainless	1000	2100	250	60	1900	140	50	14	40	40

Geometric moment of inertia

[cm⁴]

Type	I _y	I _z
E-II 30-stainless	1.34	1.56
E-II 40-stainless	4.58	5.24



Linear unit E-II-stainless – Versions

Order instructions:

- Choice of carriage - this must be ordered separately
- Different "R" dimensions available on request
- Higher temperature range available on request

Version ■ Right- or lefthand thread



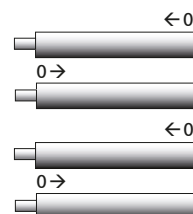
Code No.	Type	Screw	Basic length	B	D 1	D 2	J
78 _ 304 _	30	Tr 14x3	191	30	8	-	31
78 _ 306 _	30					8	
78 _ 404 _	40	Tr 20x4	193	40	12	-	39
78 _ 406	40					12	

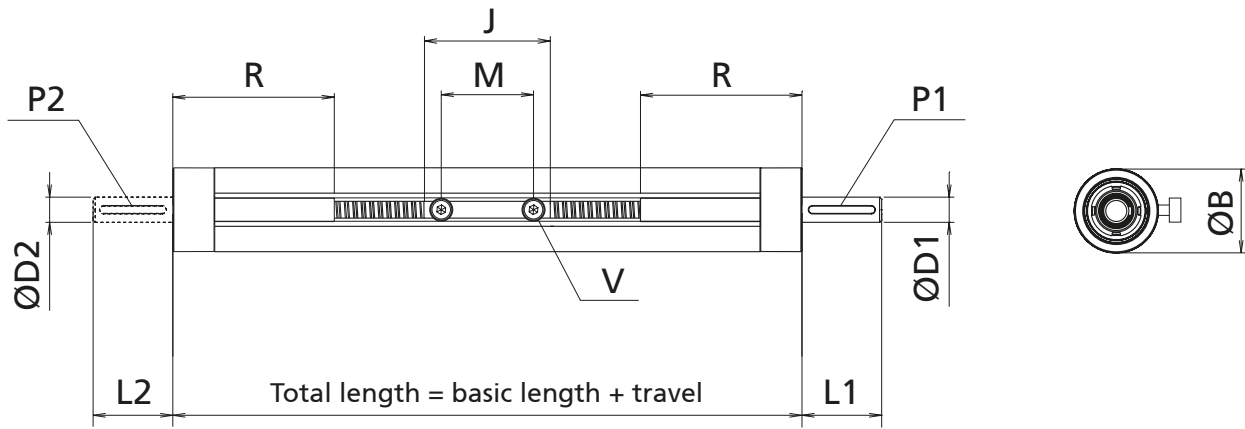
----- Total length = basic length + travel [mm]

V = Temperature range (-30°C to +80°C)
H = Temperature range (-30°C to +150°C)

Version:

- 1 = righthand thread
- 2 = lefthand thread
- A = righthand thread with scale at 270° *
- B = righthand thread with scale at 270° *
- C = lefthand thread with scale at 270° *
- D = lefthand thread with scale at 270° *





[mm]

L 1	L 2	M	P 1	P 2	R	V	Max. travel	Mass [kg]	
								Basic length	per 100 mm travel
26	-	22	2x2x20	-	80	M4x8	1283	0.610	0.212
	26			2x2x20			1257	0.620	0.212
38	-	28	4x4x32	-	77	M6x10	2769	1.305	0.432
	38			4x4x32			2731	1.336	0.432

Linear unit E-II-stainless – Versions

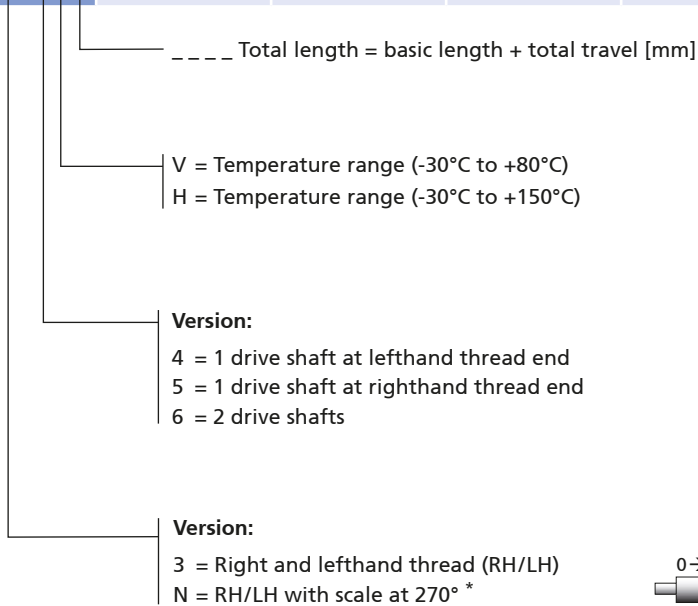
Order instructions:

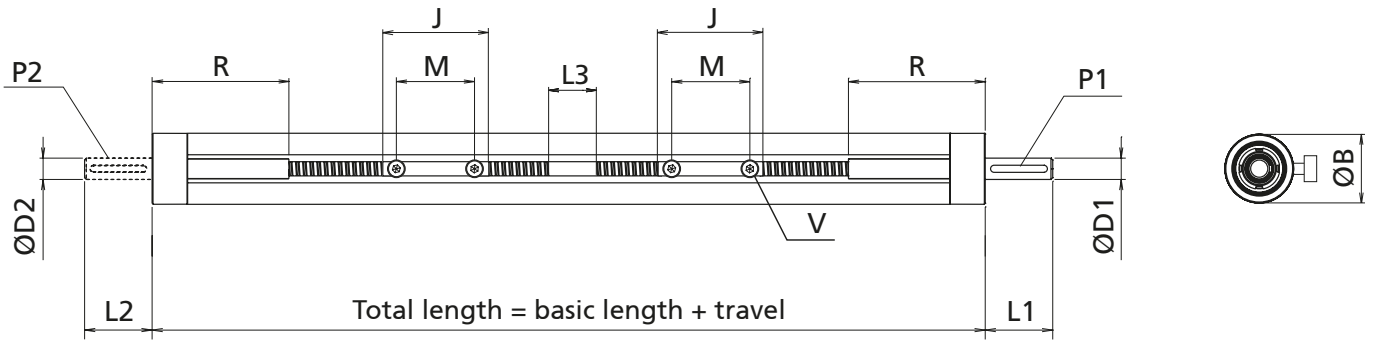
- Choice of guide carriage, this must be ordered separately
- The total length (total travel + basic length) in millimetres has to be specified when ordering
- Different "R" dimensions available on request
- Higher temperature range available on request

Version ■ Right- and lefthand thread



Code No.	Type	Screw	Basic length	B	D1	D2	J
78_30__	30	TR 14x3	247	30	8	8	31
78_40	40	TR 20x4	255	40	12	12	39





[mm]

L 1	L 2	L 3	M	P 1	P 2	R	V	Max. travel	Mass [kg]	
									Basic length	per 100 mm travel
26	26	25	28	2x2x20	2x2x20	80	M4x8	1753	0.798	0.212
38	38	23	44	4x4x32	4x4x32	77	M6x10	2745	1.742	0.432

Linear unit E-II-stainless – Fixing

Order instructions:

- A rotation locking device (drive key) is included in the scope of delivery of the linear unit. Additional drive keys (e.g. for free-running guide carriages) can also be ordered as an optional extra
- For further dimensions, please refer to the catalogue [“Connecting Technology”](#)

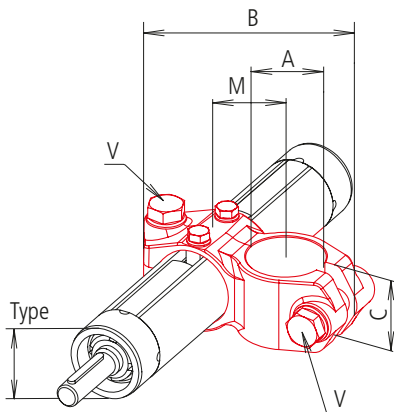
Guide carriage

- A range of different versions facilitate simple system mounting

Scope of delivery:
Guide carriage with screws, loosely enclosed

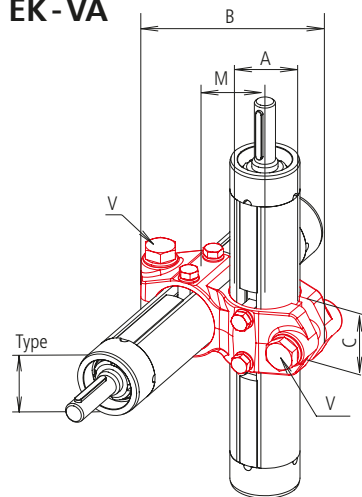
Material: Precision cast stainless steel 1.4308 (AISI CF-8), electropolished finish

K-VA



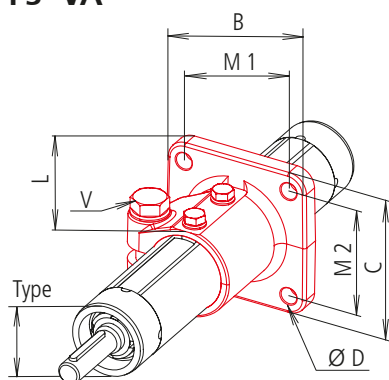
Code No.	Type	A	B	C	M	V	Clamping levers V Code No.
13001_0_	30	30	92	32.4	33	M8x30	93027
14001_0_	40	40	118	40	42	M10x35	93026

EK-VA



Code No.	Type	A	B	C	M	V	Clamping levers V Code No.
13019_00	30	30	92	32.4	33	M8x30	93027
14019_00	40	40	118	40	42	M10x35	93026

FS-VA



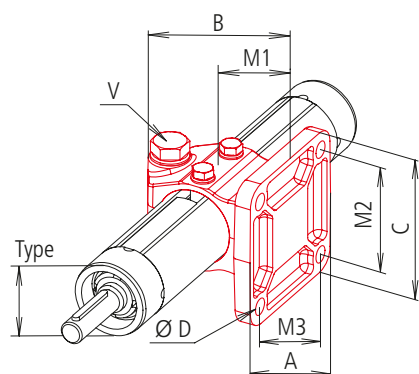
Code No.	Type	B	C	D	L	M1	M2	V	Clamping levers V Code No.
13011_0_	30	60	60	7	50	40	40	M8x30	93027
14011_0_	40	80	80	9	60	60	60	M10x35	93026

- 0 = without scale
- A = scale at 270°
- 3 = Temperature range (-30°C to +80°C)
- A = Temperature range (-30°C to +150°C)



Guide carriage

FK-VA

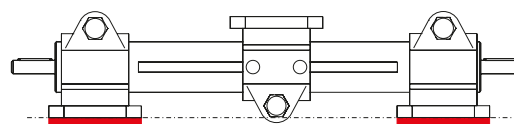


[mm]

Code No.	Type	A	B	C	D	M1	M2	M3	V	Clamping levers V Code No.
13023_0_	30	55	59	78	7	30	60	40	M8x30	93027
14009_0	40	80	80	80	9	42	60	60	M10x35	93026

- 0 = without scale
- A = scale at 270°
- 3 = Temperature range (-30°C to +80°C)
- A = Temperature range (-30°C to +150°C)

If using FK elements as guide carriages and fixing elements, spacers provide the necessary clearance.



[mm]

Code No.	Type	Spacer
96733	30	5 mm panel thickness, stainless steel 1.4301 (AISI 304)
96734	40	

Drive key for carriages

- Rotation locking for additional free-running carriages

Note: The order number of the linear unit includes a drive key

Material: Brass alloy



[mm]

Code No.	Type	Installation length
95986	30	31
95985	40	39

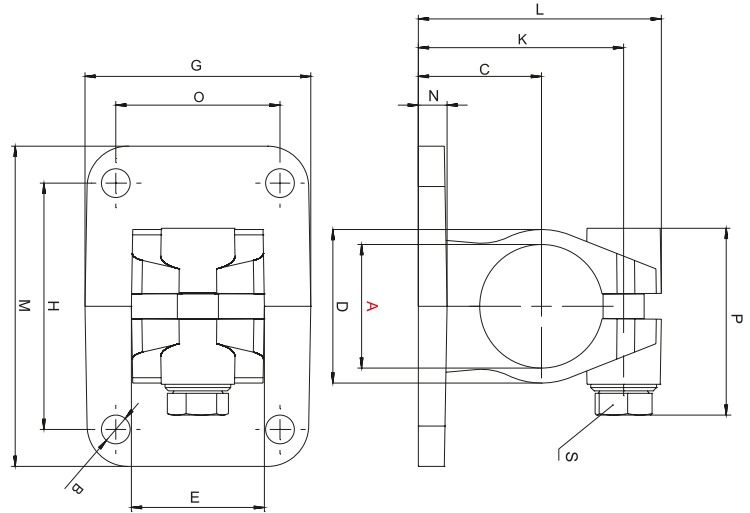
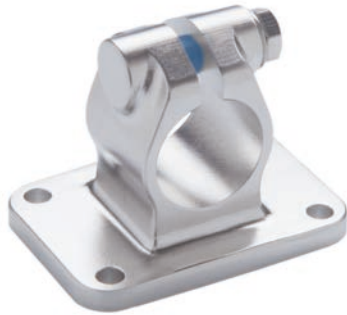
Linear unit E-II-stainless – Fixing

Fixing element

- Clamping elements for the simple fixing of Linear units E-II-stainless

Material: Precision cast stainless steel 1.4308 (AISI CF-8), electropolished finish

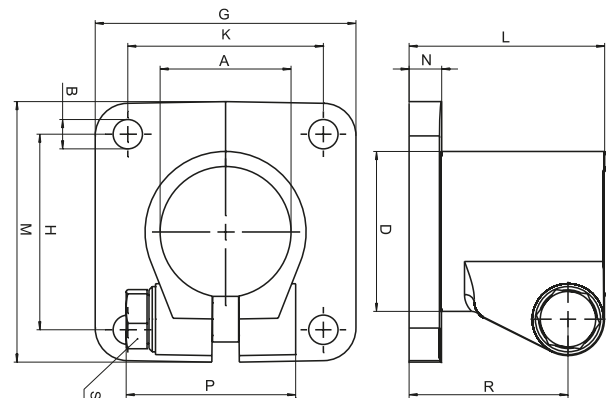
FK-VA



[mm]

Code No.	Type	A	B	C	D	E	G	H	K	L	M	N	O	P	m [g]	Clamping lever S Code No.
12300000390	FK-VA 30	30.1	7	30	37.4	32.4	55	60	50	59.2	78	7	40	45.5	370	93027
12400000390	FK-VA 40	40.17	9	42	49.4	46.4	80	60	69	80	80	10	60	52	849	93026

FS-VA



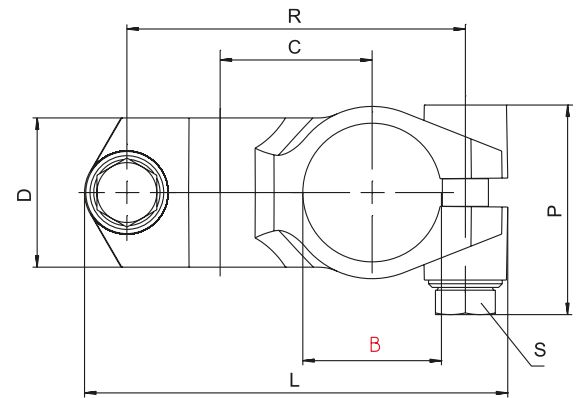
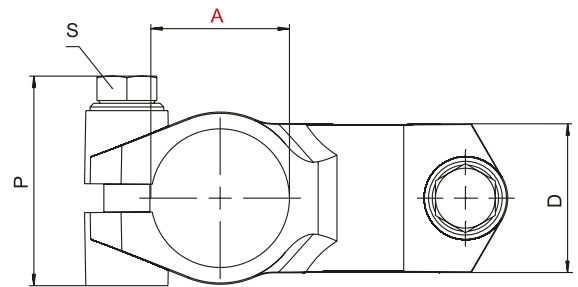
[mm]

Code No.	Type	A	B	D	G	H	K	L	M	N	P	R	m [g]	Clamping lever S Code No.
13300000390	FS-VA 30	30.1	7	37.4	60	40	40	50	60	7	45.5	41	316	93027
13400000390	FS-VA 40	40.17	9	49.4	80	60	60	60	80	10	52	90	629	93026



Fixing element

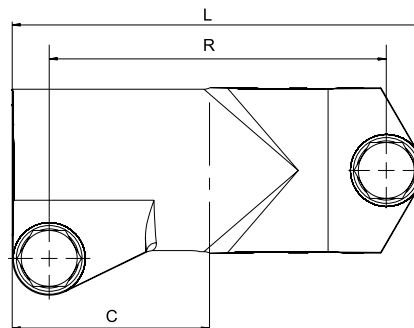
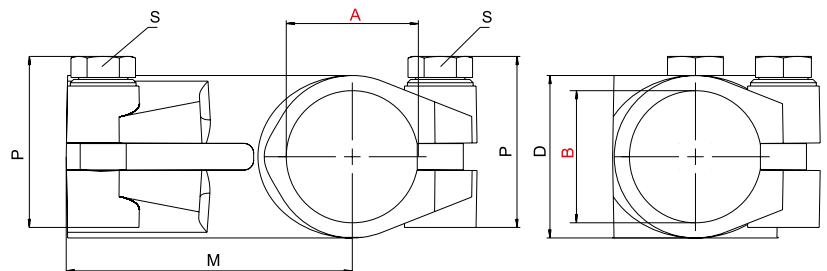
K-VA



[mm]

Code No.	Type	A	B	C	D	L	P	R	m [g]	Clamping lever S Code No.
103000003900	K-VA 30	30.1	30.1	33	32.4	92	45.5	73.5	348	93027
104000003900	K-VA 40	40.17	40.17	42	40.4	118	52	95.5	647	93026

W-VA 30, 40



[mm]

Code No.	Type	A	B	C	D	L	M	P	R	m [g]	Clamping lever S Code No.
113000003900	W-VA 30	30.1	30.1	40	38.4	87	58	45.5	69	403	9300201
114000003900	W-VA 40	40.17	40.17	60	50.4	124.9	87	54	102.5	875	93023

Linear unit E-II-stainless – Fixing / Drive

Clamping lever

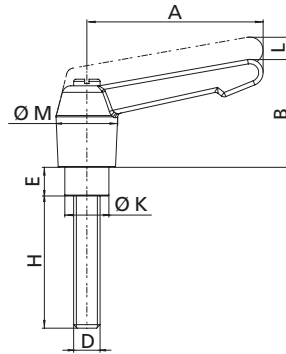
- Accessory for fixing elements and guide carriages

Material: Handle – precision cast stainless steel 1.4308 (AISI CF-8), electropolished finish.
Other parts – stainless steel 1.4305 (AISI 303)

Note: A washer (delivery scope of clamp) must be used if lever M10x40 shall be assembled



(Symbolic representation)



Code No.	Type	A	B	D	E	H	K	L	M
93027	M8x30	65	36	M8	6,5	30	13,5	3	19
93026	M10x40	65	36	M10	6,5	40	13,5	3	19

[mm]

Covers

- Slot covers, can be used as dust protection or stroke limitation
- Can be shortened or lengthened if required

Material: Stainless steel 1.4301 (AISI 304)

Scope of delivery: Pack of 2 cover strips or as bar material



The covers are available as a pack of two, or as bar material.



The linear unit comes with two covers for the bearing seats.



Additional covers can be inserted in the guide slot.

Code No.	Type	Length [mm]
Covers, pack of 2		
90440	30	63
90441	40	57
Cover, bar material		
90445	30	3010
90446	40	3010

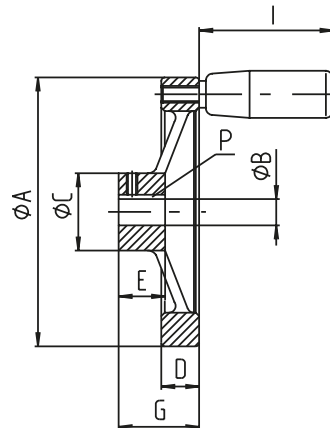


Linear unit E-II-stainless – Fixing / Drive

RK ROSE+KRIEGER

Handwheel (to +80°C)

Material: Duroplast PF31 black, hub made of stainless steel 1.4305 (AISI 303)
Handle (rotating), stainless steel 1.4305 (AISI 303)

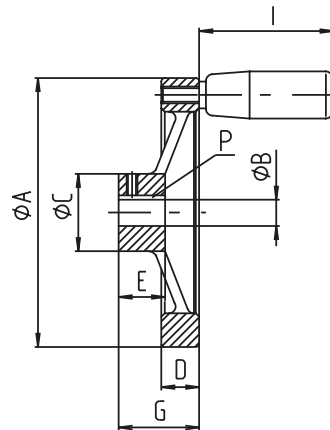


[mm]

Code No.	Type	ØA	B	C	D	E	G	P	I
90971	30	100	8	22	19	29.5	39	2x2	54.7
90972	40	100	12	22	19	29.5	39	4x4	54.7

Handwheel (to +150°C)

Material: Stainless steel 1.4301 (AISI 304)



[mm]

Code No.	Type	ØA	B	C	D	E	G	P	I
90990	30	101,6	8	25,9	7,87	18,03	31,7	2x2	39,88
90991	40	101,6	12	25,9	7,87	18,03	31,7	4x4	39,88

Linear unit E-II-stainless – Position determination

Order instruction:

- Position of scale on 0° or 180° as option

Scale

- Self-adhesive
- Width: 10 mm
- 4 mm high figures

Material:

High-performance film
transparent – (-30°C to +80°C)
white – (-30°C to +150°C)

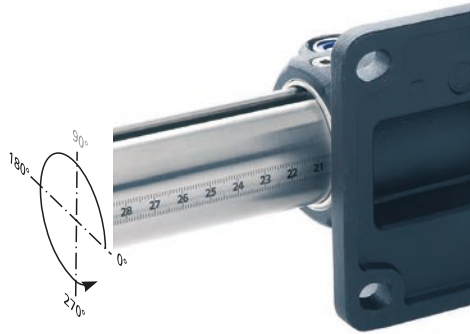


Image shows scale mounted at 0°, to be read from right to left. Standard mounting at 270° (90° not technically possible)

[mm]

Type	Can be read from	Length	Version
30-40	left to right	0-2000	fitted
	right to left	0-2000	fitted

Positioning indicator

- You will find the corresponding positioning indicator in the "Linear technology" general catalogue

Installation position: horizontal



(Symbolic representation)

Installation position: vertical



(Symbolic representation)

