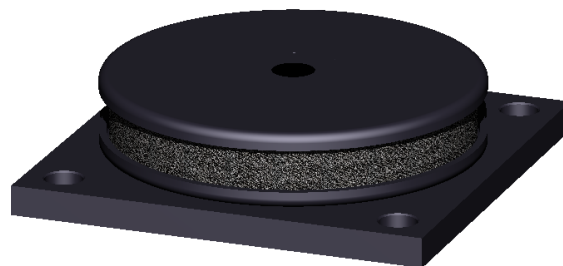
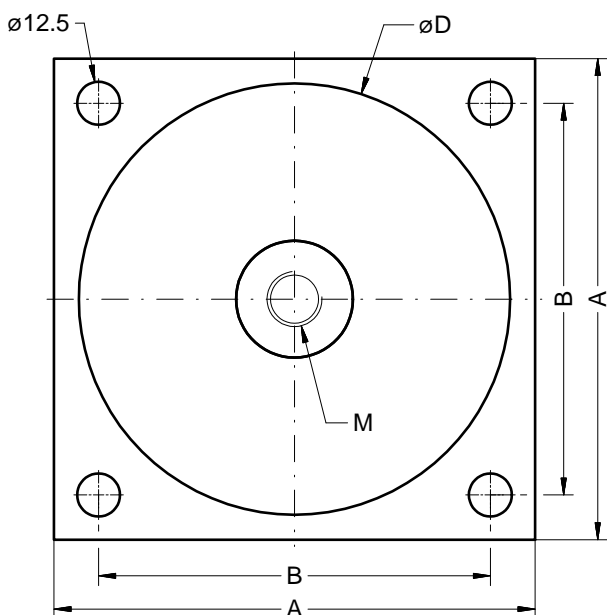
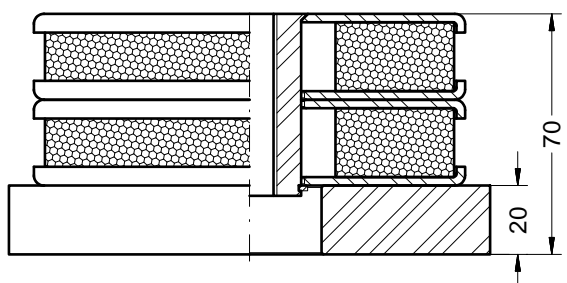
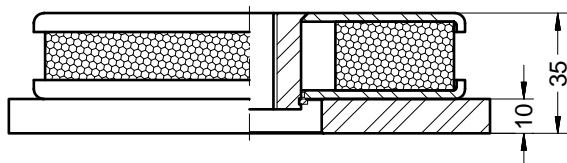


all-metal-damper GMF-()-4

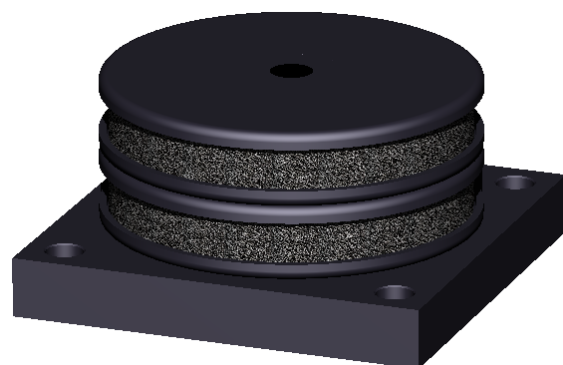


Applications

- resilient suspension of turning machines, milling machines, presses, lapping machines, grinding machines ...



Standard



type "D"

Description

- cushion seat, bottom plate of steel, KTL coated
- damping cushion of stainless steel wire
- high static and dynamic load capacity
- compact design
- long lifetime
- maintenance free

| type | dimensios in mm | | | | load capacity in daN | | frequency | weight |
|---------------|-----------------|-----|-----|-----|----------------------|---------|-----------|--------|
| | A | B | ØD | M | static | dynamic | [Hz] | [kg] |
| GMF-3500-4 | 140 | 114 | 125 | M16 | 500 - 3500 | 12500 | 15 - 20 | ~ 2,5 |
| GMF-D-3500-4 | | | | | | | 13 - 18 | ~ 5,0 |
| GMF-7000-4 | 170 | 138 | 165 | M20 | 1500 - 7000 | 22500 | 15 - 20 | ~ 3,7 |
| GMF-D-7000-4 | | | | | | | 13 - 18 | ~ 7,5 |
| GMF-10000-4 | 170 | 138 | 165 | M20 | 1500 - 10000 | 33500 | 23 - 28 | ~ 3,8 |
| GMF-D-10000-4 | | | | | | | 18 - 23 | ~ 7,7 |