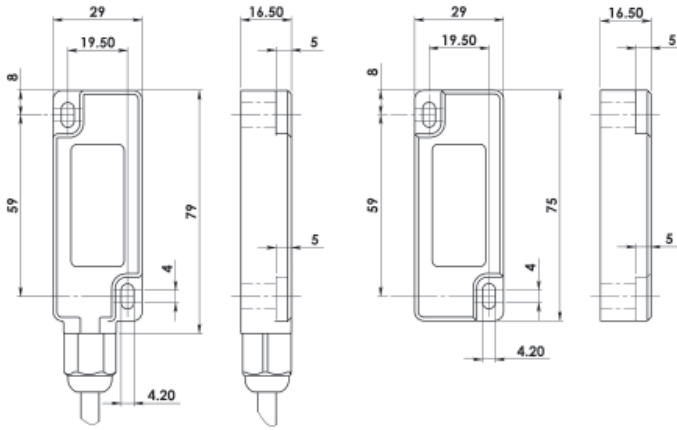


IDEMAG - Magnetic Non Contact Type: WPR

FEATURES:

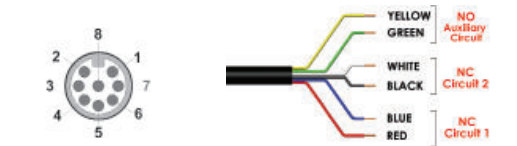
Robust wide fitting suitable for all industry applications.
 Wide 12mm sensing and high tolerance to misalignment
 Long life high power switching capability: Heavy Duty 2A
 Up to: PLe ISO13849-1
 2NC 1NO circuits
 Quick Connect versions available

DIMENSIONS:



SWITCH

ACTUATOR



Operating Direction

Quick Connect QC M12 8 Way Male Plug Pin view from Switch	Standard Lead Colour	Circuit (Actuator Present)
4	Yellow	NO
6	Green	NO
7	Black	NC2
1	White	NC2
2	Red	NC1
3	Blue	NC1

Alternative QC option:



Standards: ISO14119 EN60947-5-3
 EN60204-1 ISO13849-1 EN62061 UL508

Safety Classification and Reliability Data:

Mechanical Reliability B10d 3.3 x 10⁶ operations at 100mA load
 ISO13849-1 Up to PLe depending upon system architecture
 Safety Data – Annual Usage 8 cycles per hour/24 hours per day/365 days
 MTTFd 470 years

Heavy Duty	Safety Channel 1 NC	Voltage Free: 250Vac 2.0A Max. Rating
	Safety Channel 2 NC	Voltage Free: 250Vac 2.0A Max. Rating
	Safety Channel 3 NO	Voltage Free: 24Vdc 0.2A Max. Rating
	Fuse	Internal 2.0A (F) External 1.6A (F) (User)
	Contact Release Time	<2ms
	Initial Contact Resistance	<500 milliohm
	Minimum Switched Current	10Vdc 1mA
	Dielectric Withstand	250Vac
	Insulation Resistance	100 Mohms
	Recommended Setting Gap	5mm
	Switching Distance	Sao 8mm Close
	(Target to Target)	Sar 22mm Open
	Tolerance to Misalignment	5mm in any direction from 5mm setting gap
	Switching Frequency	1.0Hz maximum
	Approach Speed	200mm/min to 1000mm/sec
	Body Material	UL approved polyester
	Operating Temperature	-25C +80C
	Enclosure Protection	IP69K (NEMA PW12) IP67 (NEMA 6)
	Shock Resistance	IEC68-2-27 11ms 30g
	Vibration Resistance	IEC68-2-6 10-55Hz 1mm
	Cable Type	PVC 6 core 6mm OD Conductors 0.25mm ²
	Mounting Bolts	2xM4 Tightening torque 1.0Nm
	Mounting Position	Any

For all IDEM switches the normally closed (NC) circuits are closed when the guard is closed and the actuator is present.

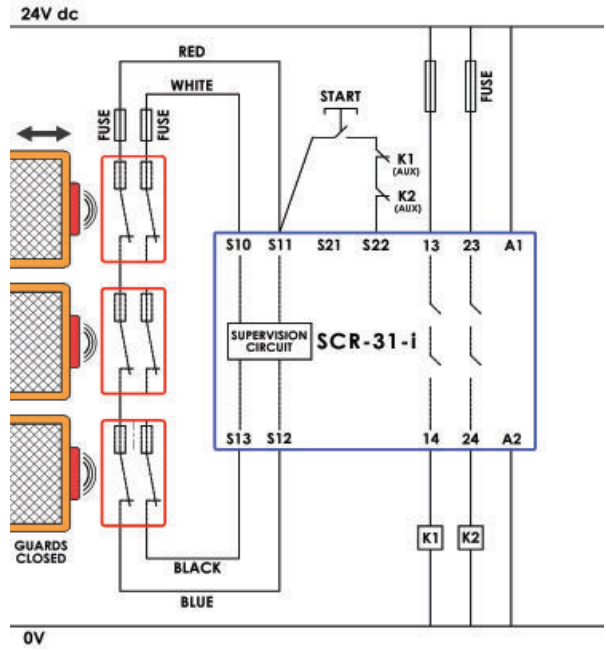


Magnetic Actuation - Power Series
Switching Tolerance up to 12mm
Heavy Duty version 230Vac/24Vdc 2A
Will operate with most Safety Relays



Quick Connect M12 versions fitted with 250mm (10") cable

CONNECTION EXAMPLE: Magnetic Switches



Three switches connected in series to an SCR-21-i or SCR-31-i to give Dual Channel guard monitoring but with Monitored Manual Start and Contactor Feedback check.

SALES NUMBER	TYPE	CABLE LENGTH	CIRCUITS
112001	Idemag WPR	2M	2NC
112002	Idemag WPR	5M	2NC
112003	Idemag WPR	10M	2NC
112004	Idemag WPR	QC-M12	2NC
112005	Idemag WPR	2M	2NC 1NO
112006	Idemag WPR	5M	2NC 1NO
112007	Idemag WPR	10M	2NC 1NO
112008	Idemag WPR	QC-M12	2NC 1NO
112009	Idemag WPR	2M	1NC 1NO
112010	Idemag WPR	5M	1NC 1NO
112011	Idemag WPR	10M	1NC 1NO
112012	Idemag WPR	QC-M12	1NC 1NO

140101	Female QC Lead	M12 Female 5m. 8 way
140102	Female QC Lead	M12 Female 10m. 8 way

112300	Plastic 8mm Spacers (2) for use when mounting on Ferrous Materials	1 x Switch 1 x Actuator
--------	--	----------------------------