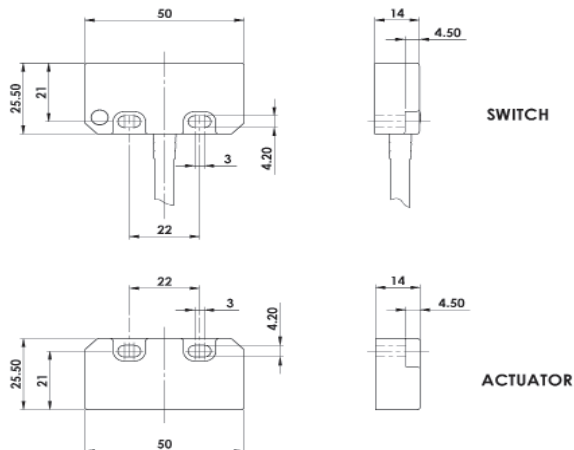


HYGIECODE - Coded Non Contact Type: SMC

FEATURES:

- Robust Stainless Steel 316 enclosure designed to survive the tough environments of Food Processing and Pharmaceutical industries
- LED indication
- Survives high pressure hosing at high temperature
- Wide 14mm sensing with high tolerance to misalignment
- Universal fitting - 22mm footprint suitable for most applications
- Up to: PLe ISO13849-1
- 2NC 1NO circuits - high switching life - no moving parts
- Quick Connect versions available

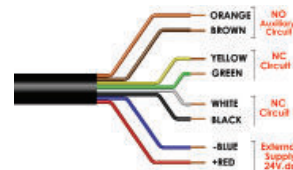
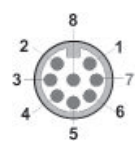
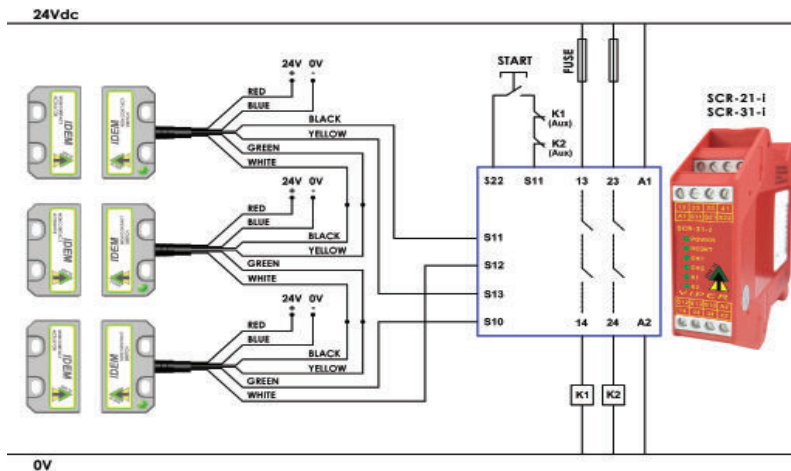
DIMENSIONS:



- Stainless Steel 316 Housing mirror polished (Ra4)
- Coded Magnetic Actuation
- Switching Tolerance up to 14mm
- Will operate with most Safety Relays



CONNECTION EXAMPLE: CODED SWITCHES



Quick Connect QC M12 8 Way Male Plug Pin view from Switch	Flying Lead Colour	Circuit (Actuator Present)	Output Types Solid State
8	Orange	Auxiliary NO or NC	200mA Max. 24Vdc
5	Brown	Auxiliary NO or NC	200mA Max. 24Vdc
4	Yellow	Safety NC2	200mA Max. 24Vdc
6	Green	Safety NC2	200mA Max. 24Vdc
7	Black	Safety NC1	200mA Max. 24Vdc
1	White	Safety NC1	200mA Max. 24Vdc
2	Red	Supply +24Vdc	Supply 24Vdc +/- 10%
3	Blue	Supply 0Vdc	Supply 24Vdc +/- 10%

Standards: ISO14119 EN60947-5-3
EN60204-1 ISO13849-1 EN62061 UL508

Safety Classification and Reliability Data:

- ISO13849-1 Up to PLe Category 4
- PFHd 2.6×10^{-10}
- Proof Test Interval (Life) 20 years
- MTTFd 866 years
- Safety Channel 1 NC 24Vdc 0.2A Max. Rating
- Safety Channel 2 NC 24Vdc 0.2A Max. Rating
- Safety Channel 3 NO 24Vdc 0.2A Max. Rating
- Minimum Switched Current 10Vdc 1mA
- Dielectric Withstand 250Vac
- Insulation Resistance 100 Mohms
- Recommended Setting Gap 5mm
- Switching Distance Sao 10mm Close
- (Target to Target) Sar 20mm Open
- Tolerance to Misalignment 5mm in any direction from 5mm setting gap
- Switching Frequency 1.0Hz maximum
- Approach Speed 200mm/min to 1000mm/sec
- Body Material Stainless Steel 316 mirror polished finish to Ra4
- Operating Temperature -25C +105C (CIP SIP cleaning)
- Enclosure Protection IP69K IP67
- Shock Resistance IEC68-2-27 11ms 30g
- Vibration Resistance IEC68-2-6 10-55Hz 1mm
- Cable Type PVC 6 or 8 core 6mm OD Conductors 0.25mm²
- Mounting Bolts 2xM4 Tightening torque 1.0Nm
- Mounting Position Any

For all IDEM switches the normally closed (NC) circuits are closed when the guard is closed and the actuator is present.



140101	Female QC Lead	M12 Female 5m. 8 way
140102	Female QC Lead	M12 Female 10m. 8 way

SALES NUMBER	TYPE	CABLE LENGTH	CIRCUITS
139001	Hygiecode SMC	2M	2NC
139002	Hygiecode SMC	5M	2NC
139003	Hygiecode SMC	10M	2NC
139004	Hygiecode SMC	QC-M12	2NC
139005	Hygiecode SMC	2M	2NC 1NO
139006	Hygiecode SMC	5M	2NC 1NO
139007	Hygiecode SMC	10M	2NC 1NO
139008	Hygiecode SMC	QC-M12	2NC 1NO
139105	Hygiecode SMC	2M	3NC
139106	Hygiecode SMC	5M	3NC
139107	Hygiecode SMC	10M	3NC
139108	Hygiecode SMC	QC-M12	3NC

Note: 2NC 1NO versions have 2NC Safety and 1NO Auxiliary Circuits
3NC versions have 2NC Safety and 1NC Auxiliary Circuits
AVAILABLE WITHOUT LED IF REQUIRED.